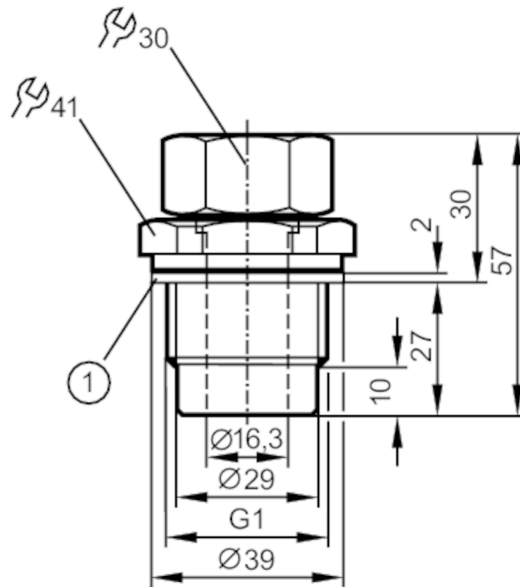


E43004



Mounting adapter for level sensors

MOUNTING ADAPTER G1



1 sealings

Application

| | |
|-----------------------|---|
| Design | for capacitive level sensors LK, LI, LT, LL |
| Pressure rating [bar] | 0.5 |

Operating conditions

| | |
|--------------------------|--------|
| Ambient temperature [°C] | 0...80 |
|--------------------------|--------|

Mechanical data

| | |
|------------------------|---|
| Weight [g] | 331.5 |
| Materials | flange: stainless steel; Lock nut: stainless steel; spacer: brass; clamping ring: FKM; Sealing: Tesnit |
| Tightening torque [Nm] | 6...9 |
| Process connection | G 1 |

Remarks

| | |
|---------------|--------|
| Pack quantity | 1 pcs. |
|---------------|--------|