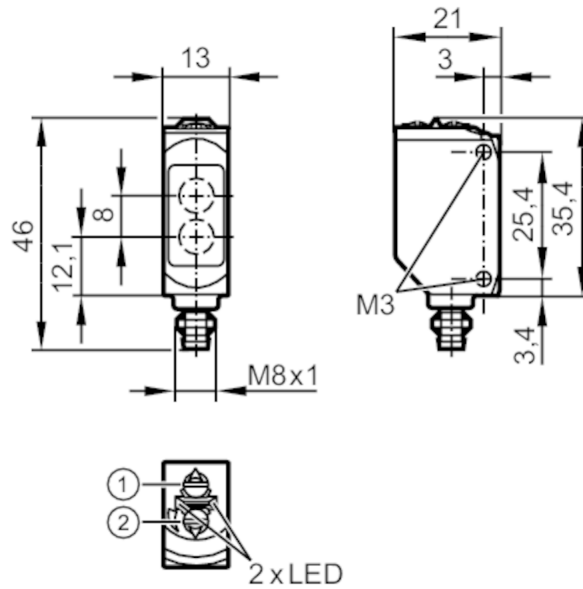


# O6T203



## Diffuse reflection sensor

O6T-FPKG/AS/4P



- 1: output function switch
  - 2: potentiometer sensitivity
- receiver in upper lens  
transmitter in lower lens



### Product characteristics

Type of light	red light
Housing	rectangular
Dimensions [mm]	46 x 13 x 21

### Application

Function principle	Diffuse reflection sensor
--------------------	---------------------------

### Electrical data

Operating voltage [V]	10...30 DC
Current consumption [mA]	16; ((24 V))
Protection class	III
Reverse polarity protection	yes
Type of light	red light
Wave length [nm]	633

### Outputs


Electrical design	PNP
Output function	light-on/dark-on mode; (selectable)
Max. voltage drop switching output DC [V]	2.5
Permanent current rating of switching output DC [mA]	100
Switching frequency DC [Hz]	1000
Short-circuit protection	yes
Type of short-circuit protection	pulsed

# O6T203



## Diffuse reflection sensor

O6T-FPKG/ASJ4P

Detection zone		
Range	[mm]	5...500; (white paper 200 x 200 mm 90% remission)
Range adjustable		yes
Max. light spot diameter	[mm]	15
Light spot dimensions refer to		at maximum range
Monitoring range final value	[mm]	100...500
Operating conditions		
Ambient temperature	[°C]	-25...60
Protection		IP 65; IP 67
Tests / approvals		
EMC		EN 60947-5-2
MTTF	[years]	897
UL approval		UL Approval no. E001
Mechanical data		
Weight	[g]	18.4
Housing		rectangular
Dimensions	[mm]	46 x 13 x 21
Materials		housing: ABS; PPSU; connector thread: brass coated; Sealing: EPDM
Lens material		PMMA
Lens alignment		side lens
Material nut		brass, coated
Tightening torque	[Nm]	0.5
Displays / operating elements		
Display	switching status	1 x LED, yellow
	operation	1 x LED, green
Remarks		
Remarks		operating voltage "supply class 2" according to cULus
Pack quantity		1 pcs.
Electrical connection		
Connector: 1 x M8; Locking: brass, coated		
		

## Diffuse reflection sensor

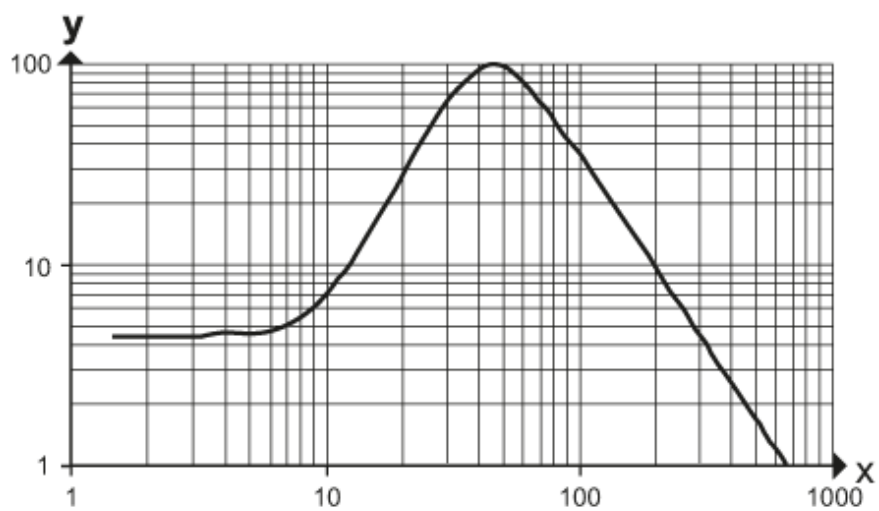
O6T-FPKG/AS/4P

### Connection



### Diagrams and graphs

excess gain graph



x: distance [mm]

y: excess gain factor