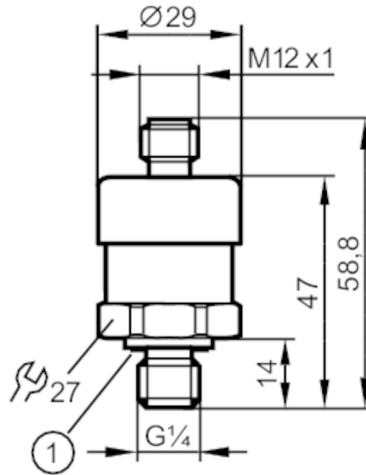


PT0517



Pressure transmitter

PT-1,6-AFG14-A-ZVG/US



1 Sealing



Product characteristics

Output signal	analogue signal			
Measuring range	0...1.6 bar	0...1600 mbar	0...23.2 psi	0...160 kPa
Process connection	threaded connection G 1/4 external thread (DIN EN ISO 1179-2)			

Application

Application	for industrial applications		
Media	liquids and gases		
Medium temperature [°C]	0...80		
Pressure rating	3.2 bar	46 psi	320 kPa
Min. bursting pressure	10 bar	145 psi	1000 kPa
Type of pressure	absolute pressure		

Electrical data

Operating voltage [V]	8...30 DC
Min. insulation resistance [MΩ]	100; (500 V DC)
Protection class	III
Reverse polarity protection	yes

Inputs / outputs

Number of inputs and outputs	Number of analogue outputs: 1
------------------------------	-------------------------------

Outputs

Total number of outputs	1
Output signal	analogue signal
Number of analogue outputs	1
Analogue current output [mA]	4...20
Max. load [Ω]	800; (U _b = 24 V; (U _b - 8 V) / 20 mA)
Short-circuit proof	yes

Measuring/setting range

Measuring range	0...1.6 bar	0...1600 mbar	0...23.2 psi	0...160 kPa
-----------------	-------------	---------------	--------------	-------------

PT0517



Pressure transmitter

PT-1,6-AFG14-A-ZVG/US

Accuracy / deviations		
Repeatability	[% of the span]	< ± 0,1; (with temperature fluctuations < 10 K)
Characteristics deviation	[% of the span]	< ± 1,0; (incl. zero point and span error, non-linearity, hysteresis)
Linearity deviation	[% of the span]	< ± 0,5 (BFSL) / < ± 1,0 (LS)
Long-term stability	[% of the span]	< ± 0,1; (per year)
Temperature coefficient zero point	[% of the span / 10 K]	< ± 0,2; (0...80 °C)
Temperature coefficient span	[% of the span / 10 K]	< ± 0,2; (0...80 °C)
Response times		
Step response time analogue output	[ms]	4
Operating conditions		
Ambient temperature	[°C]	0...80
Storage temperature	[°C]	-20...80
Protection		IP 67
Tests / approvals		
EMC		DIN EN 61326-1
Shock resistance		DIN EN 60068-2-27
Vibration resistance		DIN EN 60068-2-6
MTTF	[years]	815
Pressure Equipment Directive		Sound engineering practice; can be used for group 2 fluids; group 1 fluids on request
Mechanical data		
Weight	[g]	120.5
Materials		stainless steel (1.4404 / 316L); HNBR; PA
Materials (wetted parts)		stainless steel (1.4404 / 316L)
Min. pressure cycles		10 million
Tightening torque	[Nm]	25...35; (recommended tightening torque; depends on lubrication, seal and pressure rating)
Process connection		threaded connection G 1/4 external thread (DIN EN ISO 1179-2)
Process connection sealing		NBR (to DIN 3869)
Fill fluid for pressure transfer		synthetic oil
Restrictor element integrated		no
Remarks		
Remarks		BFSL = Best Fit Straight Line LS = limit value setting
Pack quantity		1 pcs.
Electrical connection		
Connector: 1 x M12		

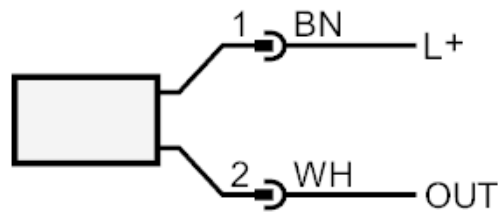
PT0517

Pressure transmitter

PT-1,6-AFG14-A-ZVG/US



Connection



OUT analogue output
 colours to DIN EN 60947-5-2
 Core colours :

BN = brown
WH = white