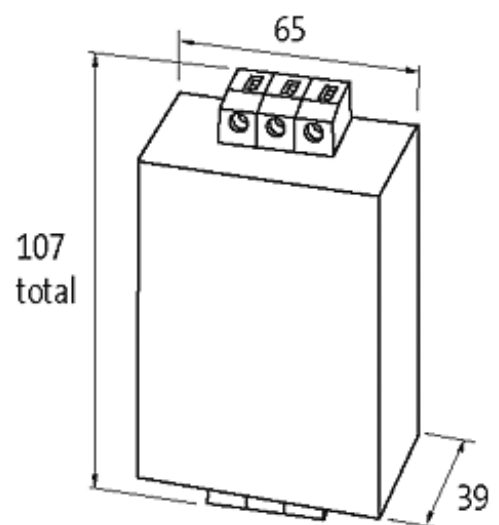


MEF EMC-FILTER 1-PHASE 2-STAGE

I:6A U:250 VAC/300 VDC snap on

Current: 6 A
DIN-rail mountable

Attenuation curves on request.

[Link to Product](#)**Illustration**

Product may differ from Image

Approvals



Technical Data

| | |
|--------------------------|---|
| Operating voltage | max. 250 V AC/300 V DC |
| Operating frequency | 50...60 Hz |
| Consumption at 250 V AC | max. 5 mA |
| Overload current | 18 × (IN t) max. 0.5 ms; 1.5 × (IN t) max. 1 min. (1 × per hour) |
| Connection cross section | 0.2...6 mm ² single core (AWG 24...9); 0.2...4 mm ² multiple core (AWG 24...11) |

General data

| | |
|------------------------|---|
| Climatic category | 25/085/21 (EN 60068-1) |
| Test isolation voltage | 2.7 kV (L - N), 2 s; 2.1 kV (L - L), 2 s (EN 60939-2) |
| Connection | Screw connection, touch protected |
| Mounting method | DIN-rail mountable TH35 (EN 60715) |
| Dimensions H × W × D | 107×65×39 mm |

Description

| | |
|------------------------|--|
| Functional description | The single phase 2-stage EMC filters MEF 1/2 are used in the range 0.1...30 MHz to suppress cable carried interference on mains and control cables. The best filter performance is achieved by using short connection wires (suggestion: earth connection < 10 |
| Application | asymmetrical interferences: - units with high switching frequency and repetition, - switch mode P.S.U.s, - in DC mains, - in front of transformers, - for frequency inverters |

Commercial data

| | |
|------------------------|----------|
| country of origin | IT |
| customs tariff number | 85363010 |
| minimum order quantity | 1 |