

MSUD VALVE PLUG FORM A 18MM

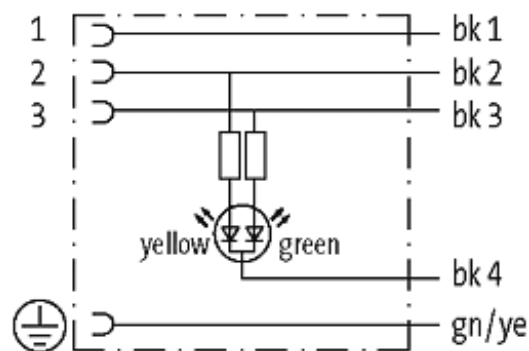
PVC 5X0.75 black 7.5m

Form A (18 mm) for pressure switch
24 V DC with LED (yellow/green)

Further cable lengths on request. Plastic housings with good resistance against chemicals and oils. The resistance to aggressive media should be individually tested for your application. Further details on request.

[Link to Product](#)

Illustration





Product may differ from Image

Approvals



Form

18141

Technical Data

| | |
|-------------------------------|--|
| Operating voltage | 24 V DC $\pm 25\%$ |
| Operating current per contact | max. 4 A |
| Locking of ports | M3 (recommended torque 0.4 Nm) |
| Protection | IP67 inserted and tightened (EN 60529) |
| Housing | Black plastic (gray on request) |

Cables

| | |
|-----------------------------|---------------------------------|
| Cable number | 618 |
| No./diameter of wires | 5 \times 0.75 mm ² |
| Wire isolation | PVC (bk, num, gnye) |
| Jacket Color | black |
| Shore hardness outer jacket | 80 \pm 5A |
| Material (jacket) | PVC |
| Outer diameter | approx. 7.0 mm |
| Bend radius (fixed) | 5 \times outer \varnothing |
| Bend radius (moving) | 10 \times outer \varnothing |
| Temperature range (fixed) | -30...+70 °C |
| Temperature range (mobile) | -5...+70 °C |

General data

| | |
|-------------------|--|
| Temperature range | -25...+85 °C, depending on cable quality |
|-------------------|--|

Commercial data

| | |
|-----------------------|----------|
| country of origin | CZ |
| customs tariff number | 85444290 |

minimum order quantity

1