

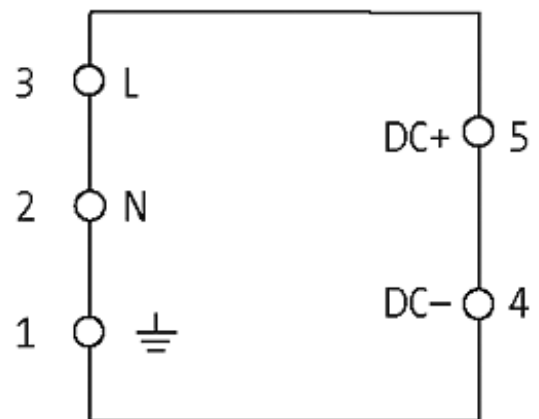
MCS-B POWER SUPPLY 1-PHASE,

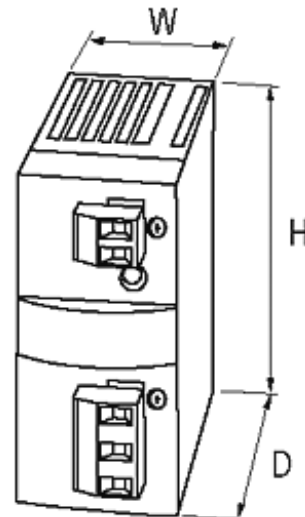
IN: 95-265VAC OUT: 4-6V/3ADC

INPUT: 110...240 V AC

OUTPUT: 5 V DC \pm 1%

Current: 3 A

[Link to Product](#)**Illustration**



Product may differ from Image

Input

Input voltage	95...265 V AC; 110...300 V DC
Input current	0.3 A (115 V AC); 0.2 A (230 V AC)
Inrush current after 1 ms	max. 15 A
Primary fusing external	max. 10 A
Frequency	50...60 Hz

General data

Standards	(EN 60950-1), (EN 61204-3), (EN 55022 B), (EN 61000-3-2)
Relative humidity	5...95 %, no condensation
Efficiency	80 %
Dimensions H × W × D	76×38×87.5 mm
Mounting method	DIN-rail mountable TH35 (EN 60715)
Temperature range	0...+40 °C, ...+50 °C derating (storage temperature -20...+85 °C)

Output

Output voltage	5 V DC (SELV), ±1 %; 4.2...6 V adjustable
Output current	3 A (+40 °C); 2.5 A (+55 °C)
Mains failure bridging time	min. 30 ms (115 V AC); min. 180 ms (230 V AC)
Ripple	max. 20 mVrms
Spikes	max. 120 mV p-p
Unit protection	short-circuit and overload protected
LED display	LED (green) for output voltage
Parallel usage/serial usage	no/yes (max. 2 units)

Commercial data

country of origin	CZ
customs tariff number	85044090
minimum order quantity	1