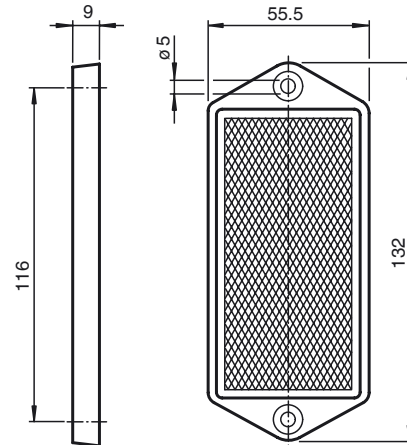




## Dimensions



### Model Number

#### REF-H116HT

Reflector, rectangular 55.5 mm x 132 mm, mounting holes, high temperature applications

### Features

- Mounting holes for simple installation
- With extended temperature range up to 110 °C (230 °F)

## Technical data

### General specifications

Construction type rectangular

### Ambient conditions

Ambient temperature -20 ... 110 °C (-4 ... 230 °F)

### Mechanical specifications

Material PC

Dimensions 55.5 mm x 132 mm x 9 mm

Mounting mounting holes