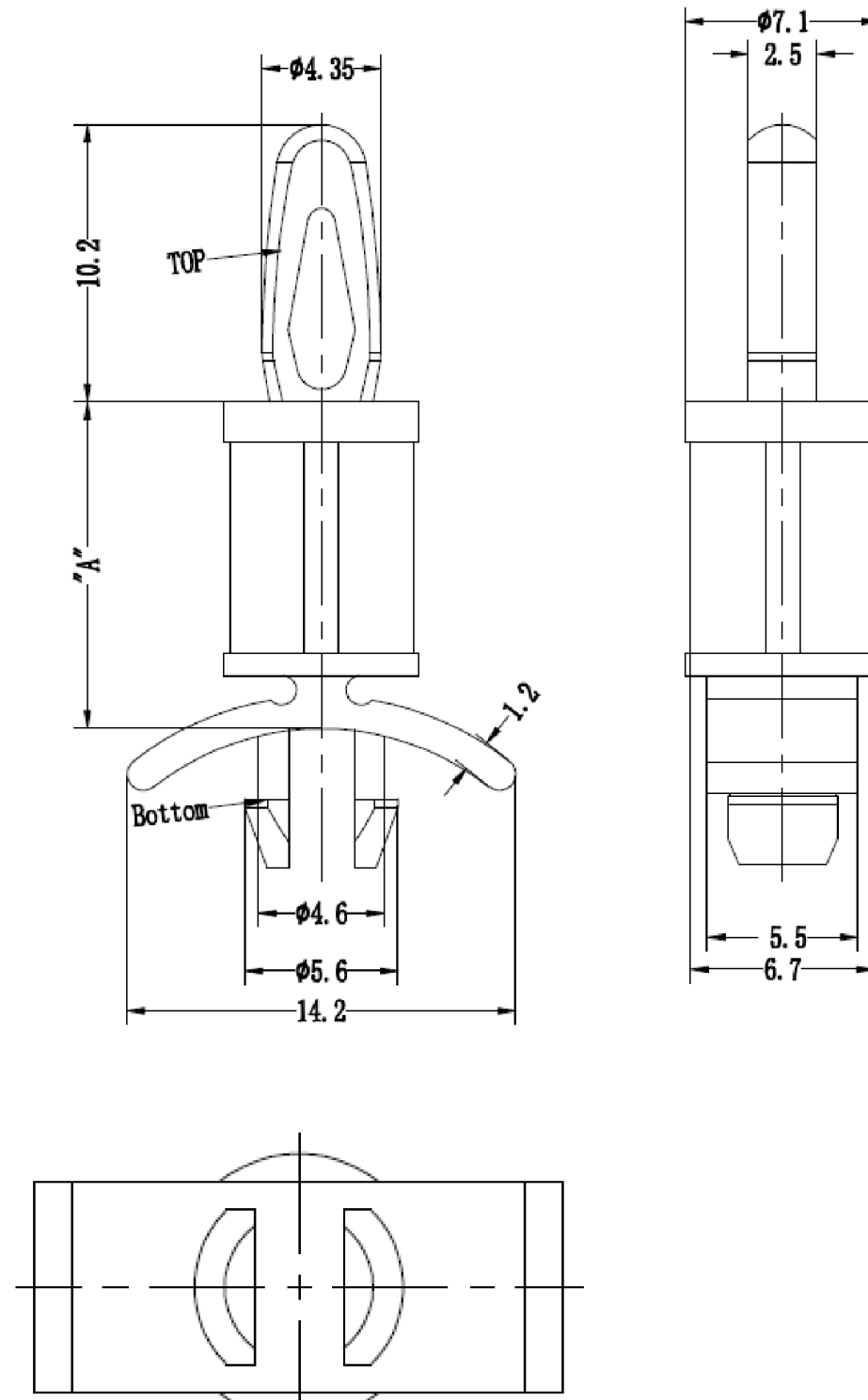


DEBUR AND BREAK SHARP EDGES

DO NOT SCALE DRAWING

REVISION



TRLCBS-3-01	4.8
TRLCBS-4-01	6.4
TRLCBS-5-01	7.9
TRLCBS-6-01	9.5
TRLCBS-7-01	11.1
TRLCBS-8-01	12.7
TRLCBS-10-01	15.9
TRLCBS-12-01	19.1
TRLCBS-14-01	22.2
TRLCBS-16-01	25.4
TRLCBS-18-01	28.6
TRLCBS-20-01	31.7
TRLCBS-22-01	34.9

B Pt.No.TABLE ADDED  
M.E. 29/07/14  
A DRAWN - 01/07/14

NOTES

1. MATERIAL: NYLON 66 UL-94V2;
2. COLOR: NATURAL;
3. ROHS Compliant;
4. TOP Hole:  $\varnothing 4.0 \pm 0.08\text{mm}$   
Panel Thickness: 1.57mm.
5. Bottom Hole:  $\varnothing 4.75 \pm 0.08\text{mm}$   
Panel Thickness: 0.79-1.98mm.



DESIGN RIGHT. TR FASTENINGS LTD, 2003  
UNDER NO CIRCUMSTANCES MUST THIS  
DRAWING BE COPIED OR DISCLOSED,  
WITHOUT FIRST OBTAINING WRITTEN  
AUTHORITY.

UNLESS OTHERWISE SPECIFIED:  
DIMENSIONS ARE IN MILLIMETERS  
SURFACE FINISH:  
TOLERANCES:

ISO 2768 m	NAME	DATE
DRAWN	MARTIN ELLIOTT	01/07/14
CHK'D		
APP'VD		

CUSTOMER PART No

MATERIAL:

SEE NOTES

HEAT TREATMENT

N/A

FINISH:

N/A

TITLE:

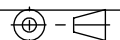
LOCKING CIRCUIT  
BOARD SUPPORT

DWG NO.

TRLCBS-X-01

A3

PROJECTION



SHEET 1 OF 1