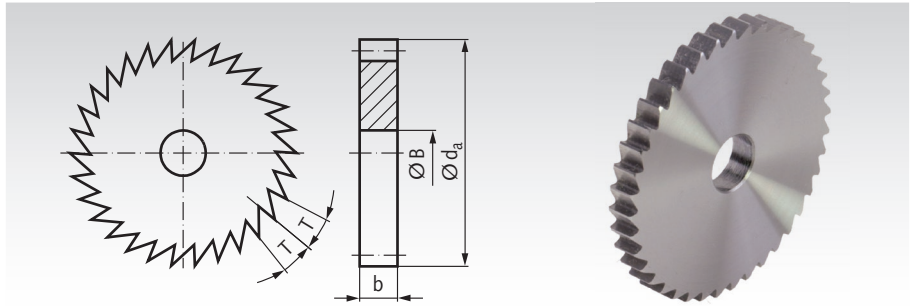


## Ratchet Wheels Made from Steel

**Material:** C45Pb+C up to 80 mm diameter, above C45. Unhardened.

Without Hub. Tip angle 60°.



Ordering Details:

e.g.: Product No. 22372000, Ratchet Wheel, pitch 3.14, 20 Teeth

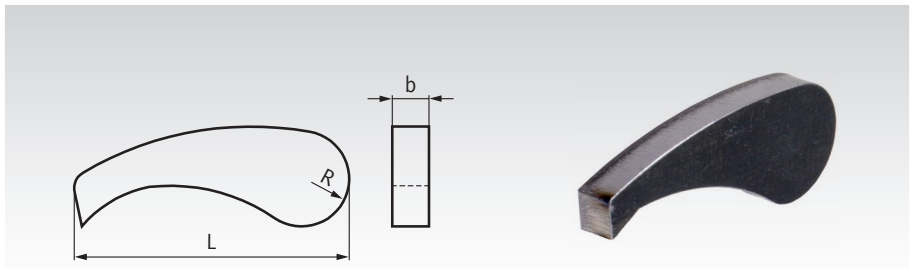
Product No.	Number of teeth	Tooth Width b mm	Pitch mm	Tip $\varnothing d_a$ mm	B mm	Weight g
223 720 00	20	4	3,14	20	6	7
223 730 00	30	9	3,14	30	6	45
223 740 00	40	4	3,14	40	10	33
223 760 00	60	4	3,14	60	15	78
223 780 00	80	4	3,14	80	15	145
227 720 00	20	6	4,71	30	8	55
227 740 00	40	6	4,71	60	12	116
227 760 00	60	6	4,71	90	15	274
227 780 00	80	6	4,71	120	20	494
227 710 00	100	6	4,71	150	20	781
227 712 00	120	9	4,71	180	20	1723



## Ratchet Braces Made from Steel

**Material:** Steel St37, unhardened, without bore.

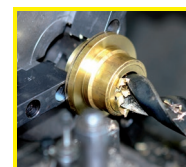
Tip angle 60°.



Ordering Details:

e.g.: Product No. 22370100, Ratchet Brace, Steel

Product No.	Length L approx. in mm	Radius R approx. in mm	Width b approx. in mm	Weight g
223 701 00	49,5	9	4	20
227 701 00	49,5	9	6	28
227 702 00	75	13	9	127



**Reworking within 24h-service possible. Custom made parts on request.**