

For use with TO-3 packages

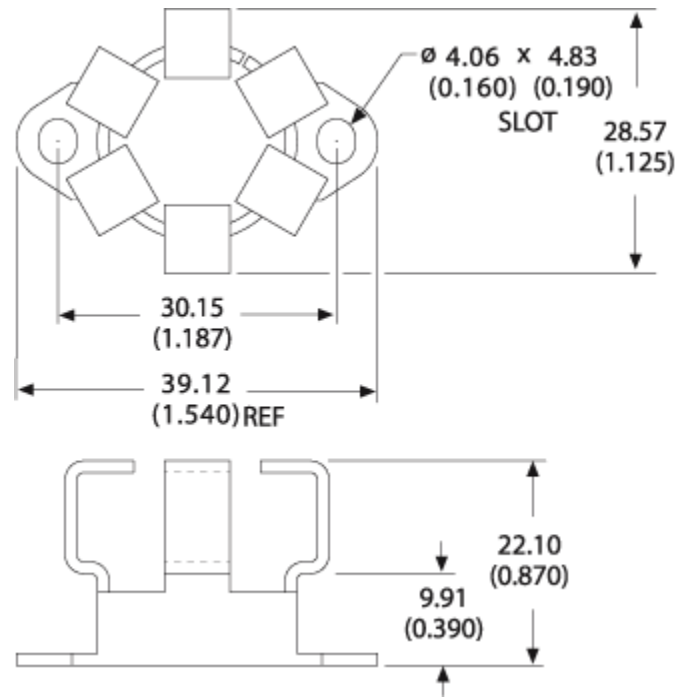
Part Number - 579103B00000G

RoHS 
Compliant

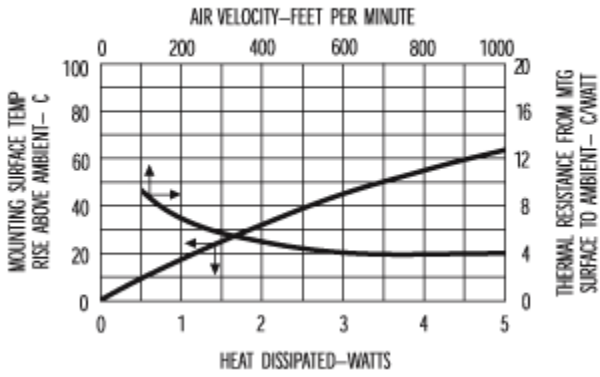
Product 
Change
Notice



Mechanical Outline Drawing



Thermal Curves



Thermal Resistance	12.50
---------------------------	-------

Thermal resistance value is based on a 75°C rise in natural convection

Product Information

Part #	Description	Finish	Board Mounting
579103B00000G	Space saving expandable collar heat sink	Black Anodize	N/A