



The engineer's choice

ebmpapst

3258 J/2H3P

INDEX

1	General	3
2	Mechanics	3
2.1	General	3
2.2	Connections	3
3	Operating Data	4
3.1	Operating Data - Electrical Interface - Input	4
3.2	Electrical Operating Data	5
3.3	Operating Data - Electrical Interface -Output	5
3.4	Electrical Features	7
3.5	Aerodynamic	8
3.6	Sound Data	8
4	Environment	9
4.1	General	9
4.2	Climatic requirements*)	9
4.3	Mechanical requirements	10
5	Safety	11
5.1	Electrical Safety	11
5.2	Approval Tests	11
6	Reliability	11
6.1	General	11

1 General

Fan type	Fan	
Rotational direction looking at rotor	clockwise	
Airflow direction	Air outlet over struts	
Bearing system	Ball bearing	
Mounting position	any	

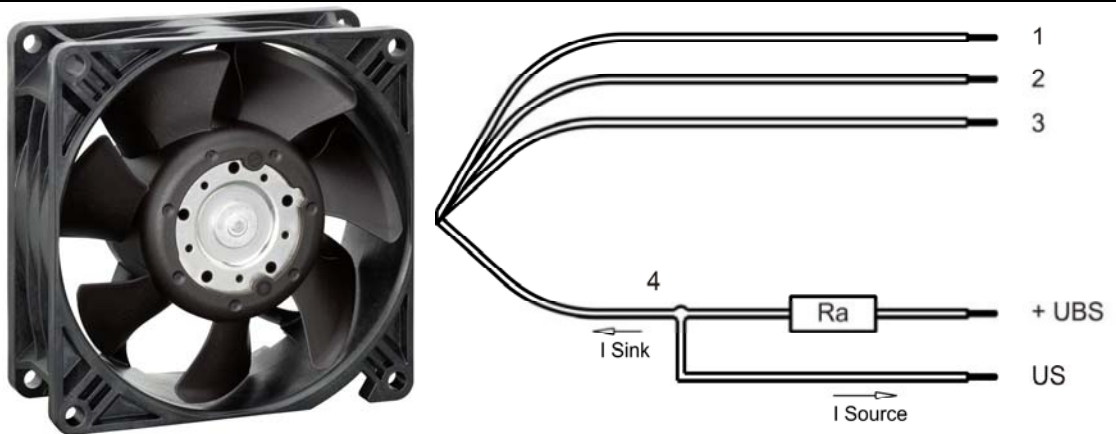
2 Mechanics

2.1 General

Width	92,0 mm	
Height	92,0 mm	
Depth	38,0 mm	
Weight	0,25 kg	
Housing material	Plastic	
Impeller material	Plastic	
Max. torque when mounted across both mounting flanges	wire outlet corner: 50 Ncm remaining corners: 110 Ncm	
Screw size	ISO 4762 - M4 degreased, without an additional brace and without washer	

2.2 Connections

Electrical connection	Wires	
Length of lead wire	L = 310 mm	
Tolerance	+/- 10,0 mm	
Wire gauge (AWG)	22	
Insulation diameter	1,7 mm	



	Colour	Operation
Wire 1	red	+ UB
Wire 2	blue	- GND
Wire 3	violet	PWM
Wire 4	white	Tacho

The auxiliaries shown on the schematic diagram (which are required for the intended use) are not part of our delivery.

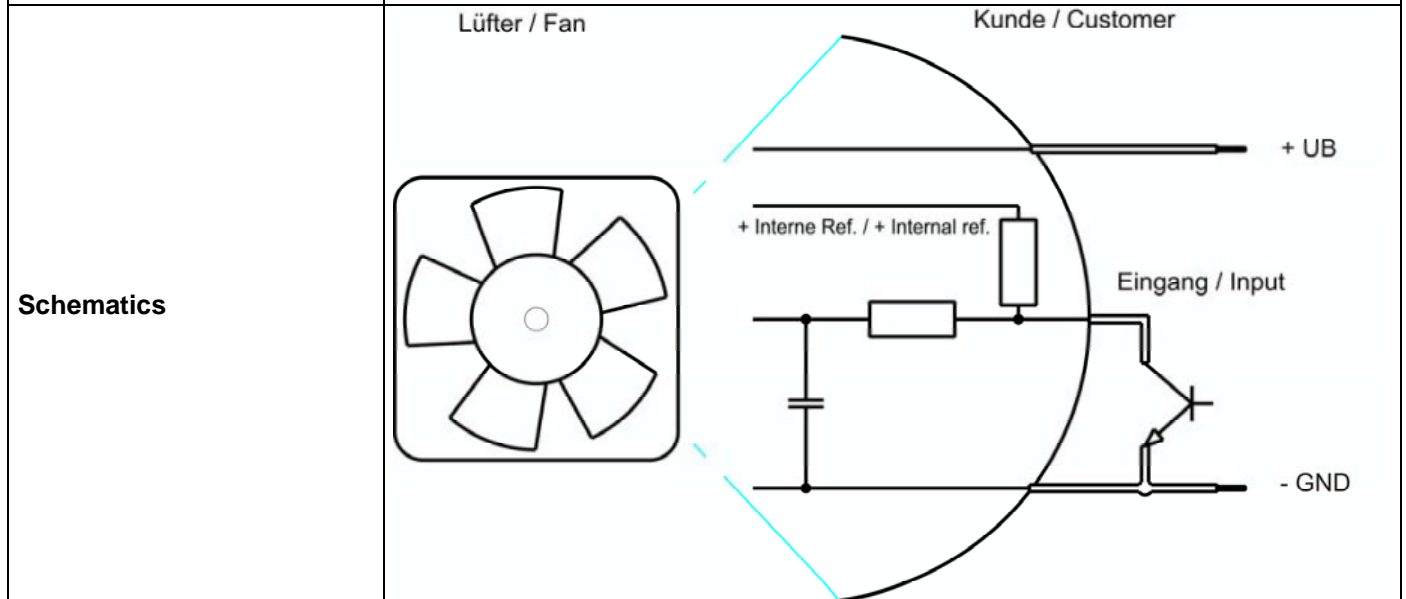
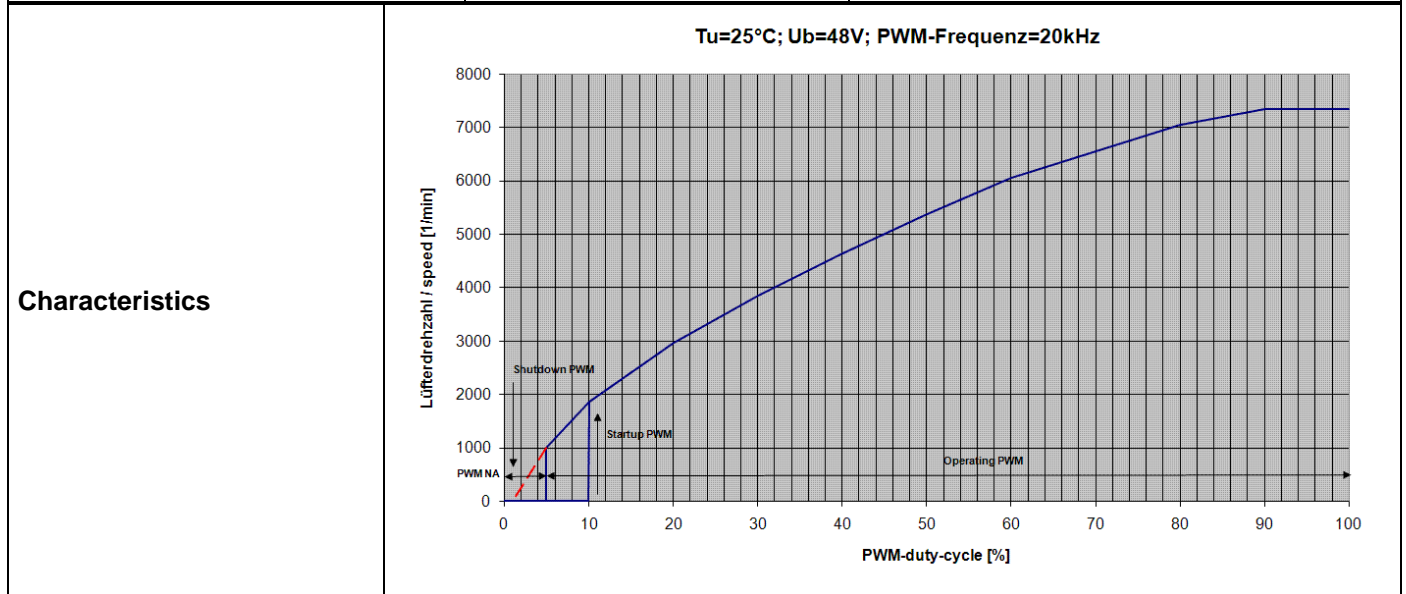
3 Operating Data

3.1 Operating Data - Electrical Interface - Input

Control input	PWM
---------------	-----

Features

Input type	Open collector	
PWM - Frequency		1 kHz - 30 kHz Typical: 25 kHz
Max. voltage for logic "Low"		0,2 V
Maximum source current	short circuit current	≤ 1 mA



3.2 Electrical Operating Data

Measurement conditions: Normal air density = 1,2 kg/m³; Temperature 23°C +/- 3°C; Motor axis horizontal; warm-up time before measuring 5 minutes (unless otherwise specified). In the intake and outlet area should not be any solid obstruction within 0,5 m.

$\Delta p = 0$: corresp. to free air flow (see section 3.5)
 I: corresp. to arithm. mean current value

Name	Condition		
PWM 0001	PWM: 100 %; f: 25 kHz	f: 1 kHz	f: 30 kHz

Features	Condition	Symbol	Values		
Voltage range	$\Delta p = 0$	U	36,0 V		56,0 V
Nominal voltage	$\Delta p = 0$	U_N		48,0 V	
Power consumption	$\Delta p = 0$	P	20 W	33,6 W	44,8 W
Tolerance	PWM 0001		+/- 20 %	+/- 15 %	+/- 15 %
Current consumption	$\Delta p = 0$	I	560 mA	700 mA	800 mA
Tolerance	PWM 0001		+/- 20 %	+/- 15 %	+/- 20 %
Speed	$\Delta p = 0$	n	6.200 1/min	7.450 1/min	8.150 1/min
Tolerance	PWM 0001		+/- 15 %	+/- 10 %	+/- 15 %
Starting current consumption				<= 1.400 mA	

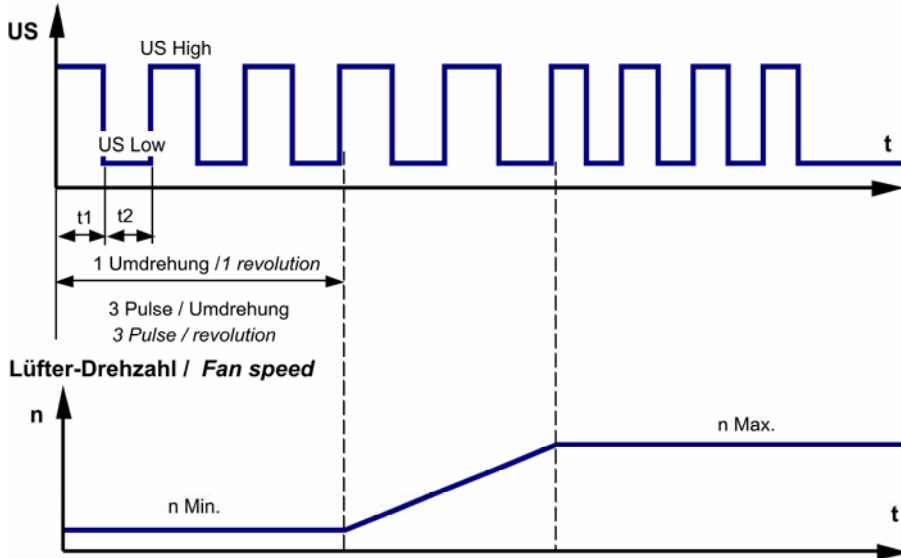
Name	Condition		
PWM 0002	PWM: 50 %; f: 25 kHz	f: 1 kHz	f: 30 kHz

Features	Condition	Symbol	Values		
Voltage range	$\Delta p = 0$	U	36,0 V		56,0 V
Nominal voltage	$\Delta p = 0$	U_N		48,0 V	
Power consumption	$\Delta p = 0$	P	7,2 W	14,0 W	19,0 W
Tolerance	PWM 0002		+/- 25 %	+/- 20 %	+/- 20 %
Current consumption	$\Delta p = 0$	I	200 mA	290 mA	340 mA
Tolerance	PWM 0002		+/- 25 %	+/- 20 %	+/- 25 %
Speed	$\Delta p = 0$	n	4.100 1/min	5.200 1/min	5.900 1/min
Tolerance	PWM 0002		+/- 20 %	+/- 15 %	+/- 20 %

3.3 Operating Data - Electrical Interface -Output

Tacho type	/2 (Open collector)
------------	---------------------

Signal-Ausgangsspannung / Signal output voltage



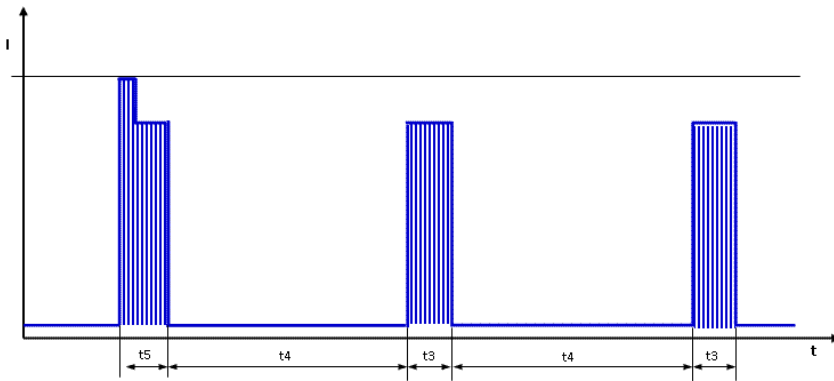
$$R_a = \frac{U_{BS} - U_{S\ Low}}{I_{Sink}}$$

Features	Note	Values
Tacho operating voltage (UBS)		<= 60 V
Tacho signal Low	I sink: 2 mA	<= 0,4 V
Tacho signal High	I source: 0 mA	60 V
Maximum sink current		<= 4 mA
External resistor	External resistor Ra from UBS to US required. All voltages measured to GND.	
Tacho frequency	(3 x n) / 60	
Tacho isolated from motor	No	
Slew rate		=> 0,5 V/us

Alarm type	None
------------	------

3.4 Electrical Features

Electronic function	Speed-Controlled	
Reversed polarity protection	Rectifying diode	
Max. residual current at U_n	$I_F \leq 200 \mu A$	
Locked rotor protection	Auto restart	
Locked rotor current at U_n	approx. 1.800 mA	
Clock signal t_3/t_4 at locked rotor	Typical: 1 s / 9 s t_3 : 0,7 s... 1,3 s t_4 : 6,5 s... 11,5 s	



First pulse t_5 typical 1,6s (1,3 .. 1,9s) followed by t_4 . Afterwards cyclical t_3/t_4 .

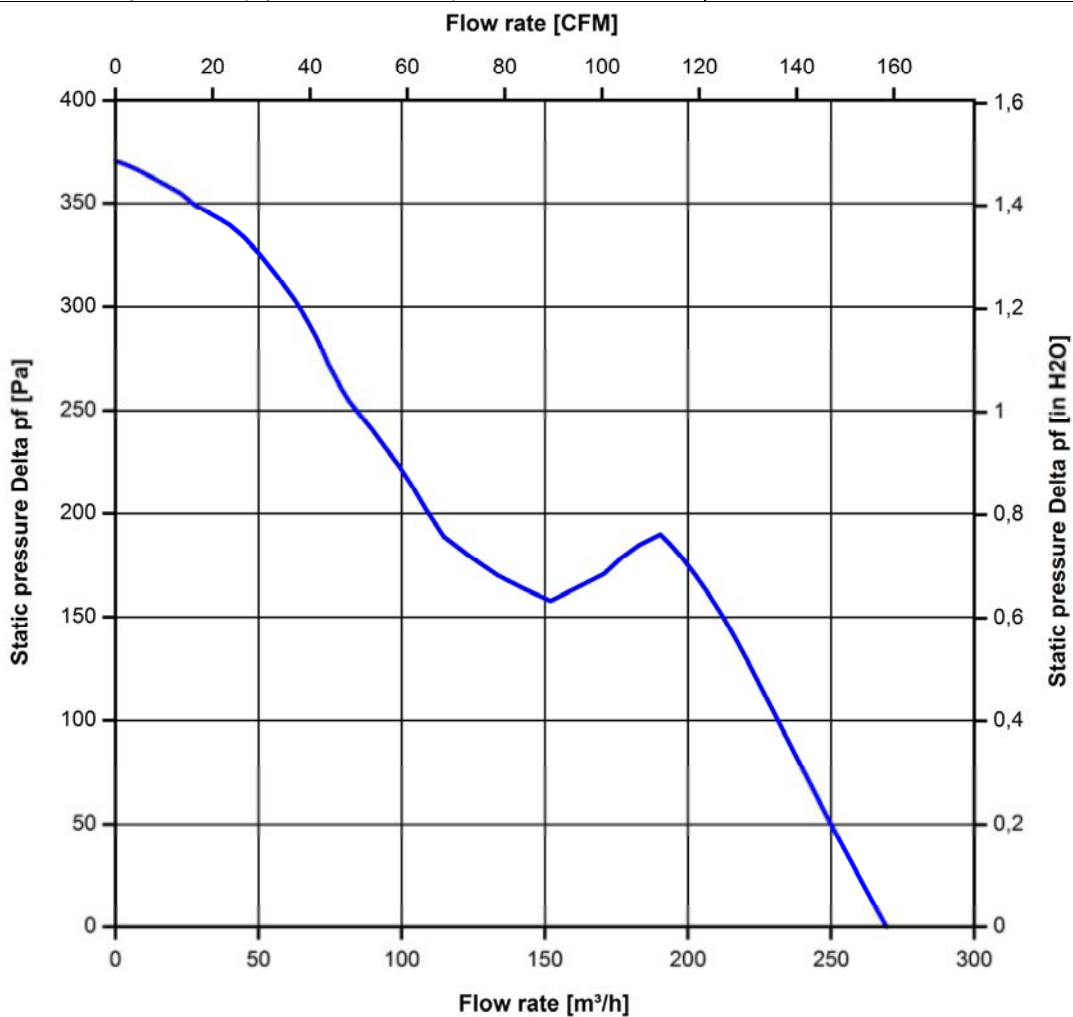
3.5 Aerodynamic

Measurement conditions: Measured with a double chamber intake rig acc. to DIN EN ISO 5801.
 Normal air density = 1,2 kg/m³; Temperature 23°C +/- 3°C;
 In the intake and outlet area should not be any solid obstruction within 0,5 m.
 The information is only valid under the specified test conditions and may be changed by the installation conditions. If there are deviations from the standard test conditions, the characteristic values must be checked under the installed conditions.

a.) Operation condition:

7.450 1/min at free air flow	PWM 100 %; f: 25 kHz	f: 1 kHz	f: 30 kHz
------------------------------	----------------------	----------	-----------

Max. free-air flow ($\Delta p = 0 / \dot{V} = \text{max.}$)	270 m ³ /h	
Max. static pressure ($\Delta p = \text{max.} / \dot{V} = 0$)	370 Pa	



3.6 Sound Data

Measurement conditions: Sound pressure level: 1 Meter distance between microphone and the air intake.
 Sound power level: Acc. to DIN 45635 part 38 (ISO 10302)
 Measured in a semianchoic chamber with a background noise level of Lp(A) < 5 dB(A)

For further measurement conditions see section 3.5

a.) Operation condition:

7.450 1/min at free air flow	PWM 100 %; f: 25 kHz	PWM min.: ; f: 1 kHz	PWM max.:; f: 30 kHz
Optimal operating point	191 m3/h @ 176 Pa		
Sound power level at the optimal operating point	7,6 bel(A)		
Sound pressure level at free air flow, measured in rubber bands	64,0 dB(A)		

4 Environment

4.1 General

Min. permitted ambient temperature TU min.	-20 °C	
Max. permitted ambient temperature TU max.	70 °C	
Min. permitted storage temperature TL min.	-40 °C	
Max. permitted storage temperature TL max.	85 °C	

4.2 Climatic requirements*)

Humidity requirements	humid heat, constant; according to DIN EN 60068-2-78, 14 days	
Water exposure	None	
Dust requirements	None	
Salt fog requirements	None	

*) Permitted application area:

The product is intended for use in sheltered rooms with controlled temperature and controlled humidity. Directly exposure to water must be avoided.

Pollution degree 1 (according DIN EN 60664-1)

There is either no pollution or it occurs only dry, non-conductive pollution. The pollution has no negative impact.

4.3 Mechanical requirements

severity level	stationary use		
1	storage / transportation	Random vibration not in use IEC 60068-2-64 Frequency range / ASD G_{RMS} Axes of vibration Test duration	Random vibration 5 - 20 Hz : $1,0 \text{ m}^2 / \text{s}^3$ 20 - 500 Hz : - 3 dB / Oct 0,91 G 3 3 x 30 min
	storage / transportation	Bump not in use IEC 60068-2-29 Shock spectrum Acceleration Duration Number of bumps (+X, -X, -Y, +Y, -Z, +Z) Total bumps	Bump half sine 18 G 6 ms 100 in each direction 600
	stationary use	Random vibration in use IEC 60068-2-64 Frequency range / ASD G_{RMS} Axes of vibration Test duration	Random vibration 5 - 10 Hz : +6 dB / Oct 10 - 50 Hz : $1,0 \text{ m}^2 / \text{s}^3$ 50 - 200 Hz : - 6 dB / Oct 0,65 G 3 3 x 30 min
	stationary use	Bump in use IEC 60068-2-29 Shock spectrum Acceleration Duration Number of bumps (+X, -X, -Y, +Y, -Z, +Z) Total bumps	Bump half sine 5 G 11 ms 100 in each direction 600

5 Safety

5.1 Electrical Safety

Dielectric strength DIN EN 60950 (VDE 0805) and DIN EN 60335 (VDE 0700) A.) Type test Measuring conditions: After 48h of storage at 95% R.H. and 25°C. No arcing or breakdown is allowed! All connections together to ground. B.) Routine test Measuring conditions: At indoor climate. No arcing or breakdown is allowed! All connections together to ground.	500 VAC / 1 Min. 500 VAC / 1 Sec.	
Isolation resistance Measuring conditions: After 48h of storage at 95% R.H. and 25°C measured with U=500 VDC for 1 min.	RI > 10 MOhm	
clearance / creepage distance	1,0 mm / 1,2 mm	
Protection class	III	

5.2 Approval Tests

CE	Yes
UL	Yes / UL507, Electric Fans
VDE	Yes / Approval acc. to EN 60950 (VDE 0805) - Information technology equipment
CSA	Yes / C22.2 No. 113 Fans and Ventilators
CCC	No

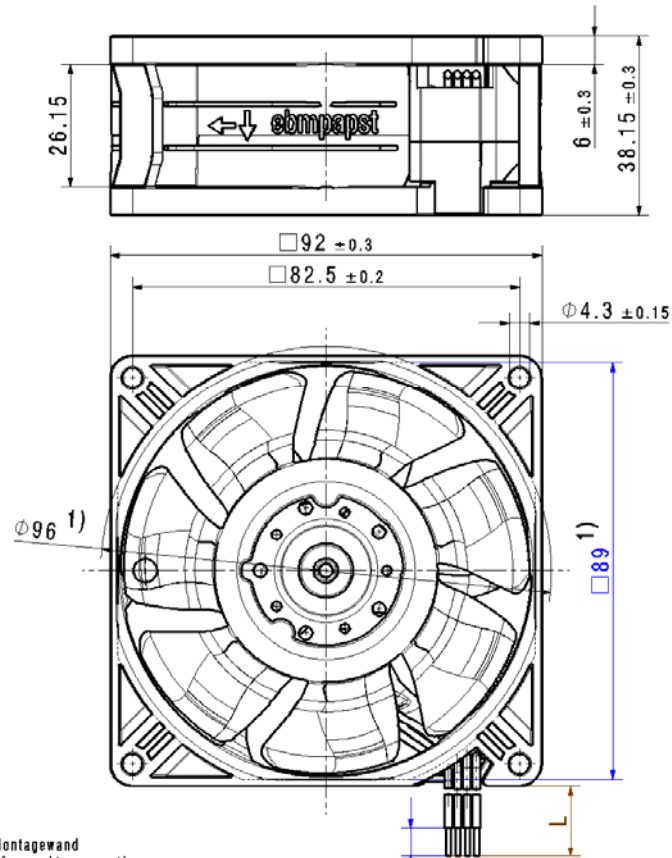
6 Reliability

6.1 General

Life expectancy L10 at TU = 40 °C	85.000 h	
Life expectancy L10 at TU max.	42.500 h	

Copyright of this document, and pricing, is either not the use or communication of the contents thereof, or
 no liability without express authorisation. Therefore one is liable to the extent of damages. All rights are reserved
 in the event of the type, of a patent or the registration of a utility model, or design.

ebmpapst Mech 311 130 18018 beschleunigt /
 refer to protection notice B01 200 10016 1



1) Maße für Montagewand
 1) dimension for worktop mounting

-Anzahl und Länge der Litzen siehe Produktspezifikation
 number and length of the wires, look at the product specification

-Kein Axialspiel bei Kugellager durch Federausgleich
 no axial clearance of ball bearings conditional on a pre-load spring

6 ± 1
 verzinkt/
 tin-plated

SAP-Status/Date Anst.-Nr./ Change-No.		CATIA-System-Version/ CATIA-System-Version		CAD-Bezeichnung/ CAD-Entwurfname		Werkstoff / Material: Volumen / Volume (cm ³):	
		828512001 C08000-		Artikel / Title:		Gewicht / Mass (g):	
Tolerierung / Tolerances: Allg.eintoleranzen / Gen. Tolerances:		3D-Referenzmodell / 3D-Referenzmodell Datum Name		Zdg.-Nr. / Drawing No:		Ers.-f.Zdg. / Replace:	
Bearb./ Drawn		Geop./ Checked		Freig./ Released		Dokumenttyp / Type of Document	
		Teilnummer / Part No.		Index / Index		Format / Size:	
ebe-papst St.Georgen GmbH & Co KG						Masstab/Scale	