

CLIFF

TP2 SERIES



CL1550 - TP2 BLACK
UNASSEMBLED
CL1575 - TP2 BLACK
ASSEMBLED



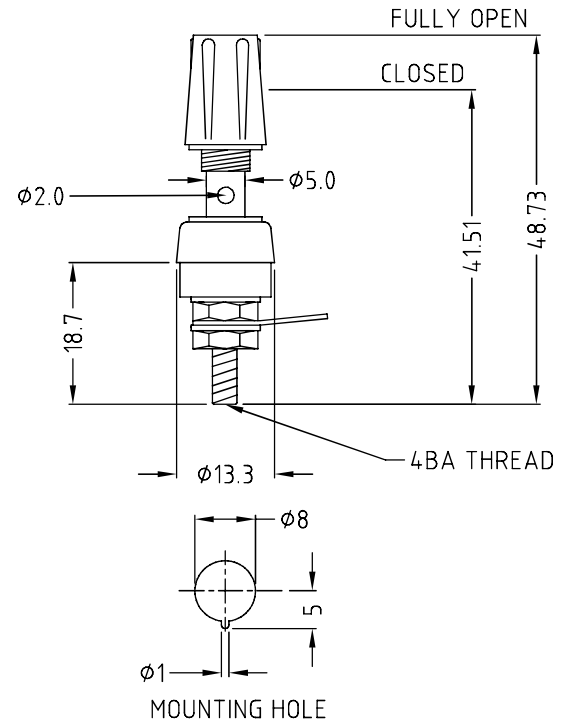
CL15501 - TP2 BLACK GOLD
UNASSEMBLED
CL15501A - TP2 BLACK GOLD
ASSEMBLED



CL1551 - TP2 RED
UNASSEMBLED
CL1572 - TP2 RED
ASSEMBLED



CL15511 - TP2 RED GOLD
UNASSEMBLED
CL15511A - TP2 RED GOLD
ASSEMBLED



CL1552 - TP2 BLUE
UNASSEMBLED



CL1553 - TP2 GREEN
UNASSEMBLED



CL1554 - TP2 WHITE
UNASSEMBLED



CL1557 - TP2 YELLOW
UNASSEMBLED

Current Rating: 15A.
Flammability: Min UL94HB

Unassembled parts come with top and bottom insulators, nuts and washers bulk packed
Parts with mounting hardware assembled for distribution can also be supplied.

All models can be supplied with either gold or nickel plated finish. Customised versions available dependant on MOQ's.