

Terminal Block

5.08mm Pitch

multicomp PRO

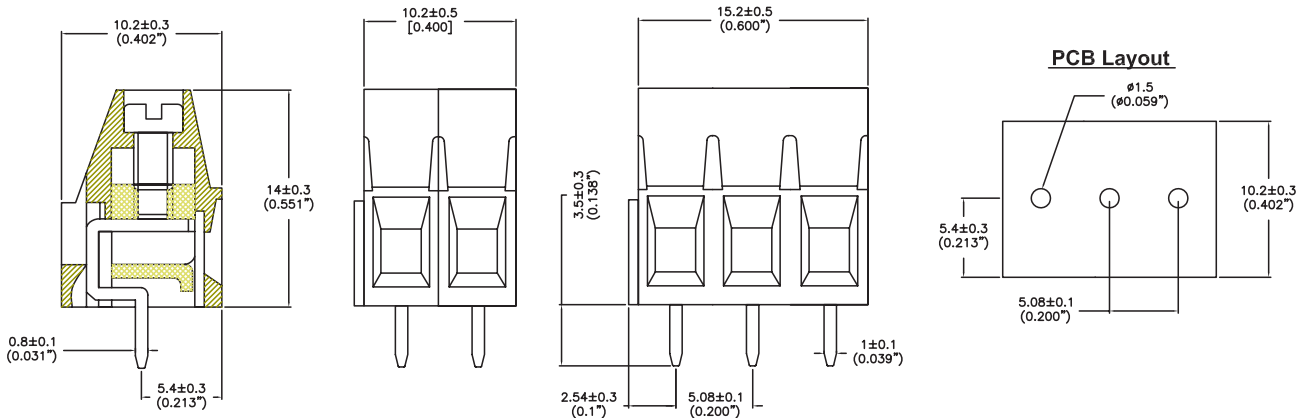
**RoHS
Compliant**



Specifications

Rated Voltage	: AC 300V
Rated Current	: 16A
Wire Size	: 26 AWG to 12 AWG
Housing Material	: Polyamide 66
Cage Clamp	: Steel, Ni Plated
Terminal	: Brass, Tin Plated
Screw Size	: M2.6, Steel, Ni Plated
Operating Temperature	: -40°C to +105°C
Torque	: 7.0 lb-inch
Pitch	: 5.08mm (0.2")

Diagram



Part Number Table

Description	Part Number
Terminal Block PCB 5.08mm Screw 02 Way	MC24366
Terminal Block PCB 5.08mm Screw 03 Way	MC24367
Terminal Block PCB 5.08mm Screw 04 Way	MC24368

Dimensions : Millimetres (Inches)

Important Notice : This data sheet and its contents (the "Information") belong to the members of the AVNET group of companies (the "Group") or are licensed to it. No licence is granted for the use of it other than for information purposes in connection with the products to which it relates. No licence of any intellectual property rights is granted. The Information is subject to change without notice and replaces all data sheets previously supplied. The Information supplied is believed to be accurate but the Group assumes no responsibility for its accuracy or completeness, any error in or omission from it or for any use made of it. Users of this data sheet should check for themselves the Information and the suitability of the products for their purpose and not make any assumptions based on information included or omitted. Liability for loss or damage resulting from any reliance on the Information or use of it (including liability resulting from negligence or where the Group was aware of the possibility of such loss or damage arising) is excluded. This will not operate to limit or restrict the Group's liability for death or personal injury resulting from its negligence. Multicomp Pro is the registered trademark of Premier Farnell Limited 2019.

Newark.com/multicomp-pro
Farnell.com/multicomp-pro
Element14.com/multicomp-pro

multicomp PRO