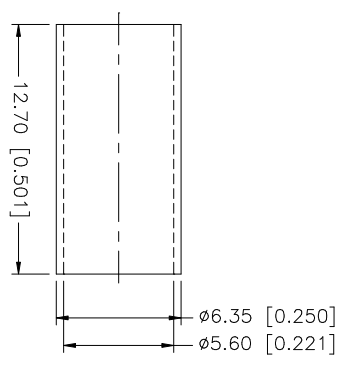
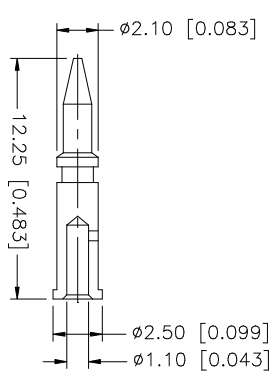
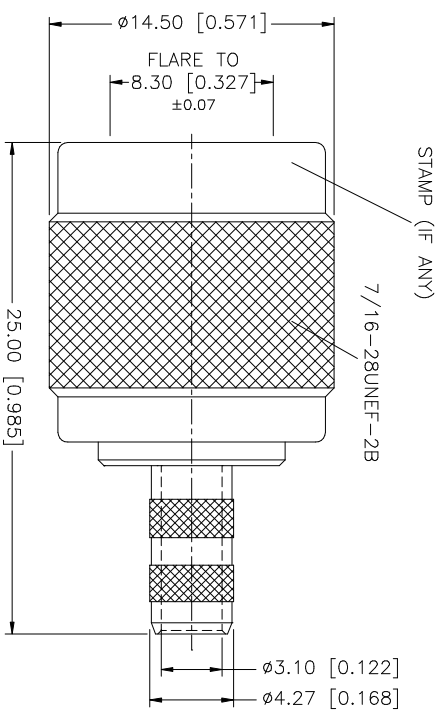
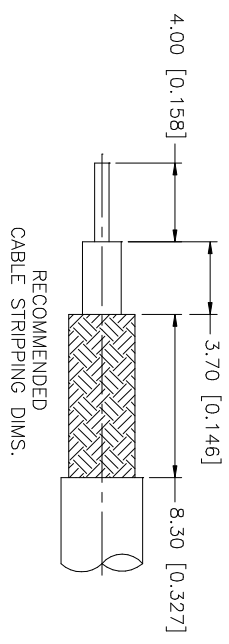


REV.	DATE	DESCRIPTION
A	12/23/02	MODIFY CONTACT PIN LENGTH



- NOTE:
1. CRIMPED FERRULE
HEX CRIMP SIZE .213"
 2. CRIMPED CONTACT PIN
HEX CRIMP SIZE .068"

QTY	FINISH	MATERIAL	DESCRIPTION
1	NICKEL	COPPER	FERRULE
1	RED	RUBBER	GASKET
1	NATURAL	DELRI	INSULATOR
1	GOLD	BRASS	CONTACT PIN
1	NICKEL	BRASS	SHELL/BODY
			DESCRIPTION

UNLESS OTHERWISE SPECIFIED DIMENSIONS ARE IN INCHES AND FOR CUSTOMER REFERENCE ONLY.	UNLESS OTHERWISE SPECIFIED DIMENSIONS ARE IN MILLIMETERS
TOLERANCES FOR ALL DIMENSIONS ARE:	TOLERANCES FOR ALL DIMENSIONS ARE:
0.5 - 8mm ± 0.20mm	8 - 30mm ± 0.40mm
30 - 120mm ± 0.50mm	
UNLESS OTHERWISE SPECIFIED DIMENSIONS FOR INCHES ARE:	UNLESS OTHERWISE SPECIFIED DIMENSIONS FOR MILLIMETERS ARE:
.020 - .315 = ± 0.007"	.020 - 3.15 = ± 0.05mm
.315 - 1.180 = ± 0.015"	3.15 - 11.80 = ± 0.10mm
1.180 - 4.724 = ± 0.020"	11.80 - 47.24 = ± 0.20mm

APPROVALS	DATE
G.R.S.	12/23/02
DRAWN	
CHECKED	
ISSUED	
SHEET	1 OF 1

CAD FILE	C:/122/122372.DWG
DWG. NO.	122372.DWG
REV.	A
SIZE	A
SCALE	NA

PART DESCRIPTION	
TNC CRIMP PLUG	
(FOR RG-55/U,142A/U,223/U,400/U CABLE)	
PART NO.	122372