

MEF EMC-FILTER 1-PHASE 2-STAGE

I:2A U:250 VAC/300 VDC snap on

Current: 2 A

DIN-rail mountable

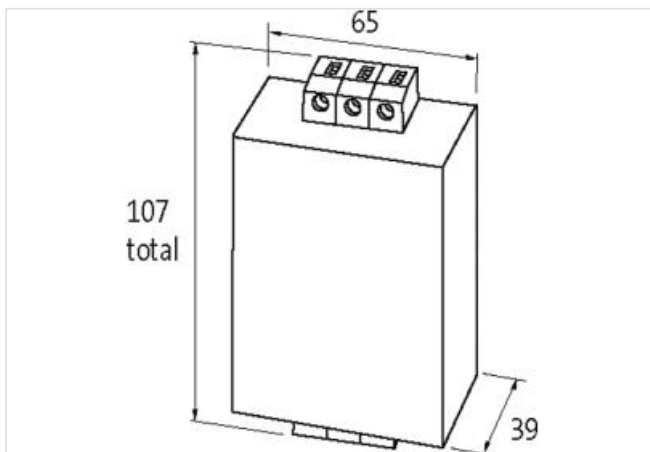
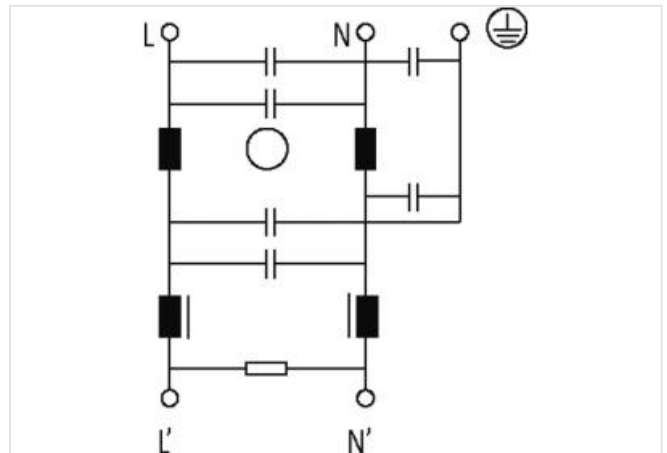
Attenuation curves on request.

against symmetrical interferences

The single phase 2-stage EMC filters MEF 1/2 are used in the range 0.1...30 MHz to suppress cable carried interference on mains and control cables. The best filter performance is achieved by using short connection wires (suggestion: earth connection < 10 cm) and the largest possible diameter. The EMC filters work bi-directionally (in both directions). The filters are for demanding applications. The filters are designed for use with fixed modules. One step of the filter is always for the suppression of asymmetrical interferences (magnetically compensated suppression). The second step is, dependant on application for symmetrical or asymmetrical interferences.

[Link to Product](#)

Illustration



Product may differ from Image



General product information

The information in this Product-PDF has been compiled with the utmost care.

Liability for the correctness completeness and topicality of the information is restricted to gross negligence. Version: 2024-05-14

Murrelektronik GmbH | Falkenstraße 3 | 71570 Oppenweiler | Fon +49 (71 91) 47-0 | Fax +49 (71 91) 47-491000 | shop@murrelektronik.de | shop.murrelektronik.de

Suitable for application range Devices with high repetition rates of switching operations, Phase angle control, Power Supply Units, after transformers, supply of universal motors

Suitable for type of fault symmetrical interferences

Commercial data

ECLASS-6.0	27130806
ECLASS-6.1	27420201
ECLASS-7.0	27420290
ECLASS-8.0	27420290
ECLASS-9.0	27420290
ECLASS-10.1	27420208
ECLASS-11.1	27420208
ECLASS-12.0	27420208
ETIM-5.0	EC002498
customs tariff number	85363010
GTIN	4048879029377
Packaging unit	1

Electrical data

Leakage current max. 5 mA @ 250 V AC, 50 Hz

Electrical data | Supply

Power frequency	50 ... 60 Hz
Operating voltage AC max.	250 V
Operating voltage DC max.	300 V

Electrical data | Output

Overload current 18× (IN t) max. 0.5 ms; 1.5× (IN t) max. 1 min. (1× per hour)

Installation

Connection cross-section solid min.	0,2 mm ²
Connection cross-section solid max.	6 mm ²
Connection cross-section stranded/fine-stranded min.	0,2 mm ²
Connection cross-section stranded/fine-stranded max.	4 mm ²
AWG number solid min.	24
AWG number solid max.	9
AWG number stranded/fine stranded min.	24
AWG number stranded/fine stranded max.	11

Device protection | Electrical

Duration insulation test voltage	2 s
Insulation test voltage L-L	2,1 kV
Insulation test voltage L-N	2,7 kV

Mechanical data | Mounting data

Mounting method	geschnappt
Suitable for mounting type	Mounting rail TH35, (EN 60715)
Height	107 mm
Width	56 mm
Depth	39 mm

Environmental characteristics | Climatic

Climatic category (EN IEC 60068-1) 25/085/21

Connection type 3

Connection	Screw terminals SK
Family construction form	terminal
Gender	female

Color contact carrier	green-yellow
No. of poles	1
PIN 1	PE
Connection	Screw terminals SK
Family construction form	terminal
Color contact carrier	gray
No. of poles	2
PIN 1	L
PIN 2	N
Connection	Screw terminals SK
Family construction form	terminal
Color contact carrier	gray
No. of poles	2
PIN 1	L'
PIN 2	N'