

**Industrial Ethernet
IE-CD-V14MHYB-10P-C-MA**

Weidmüller Interface GmbH & Co. KG
Klingenbergstraße 16
D-32758 Detmold
Germany
Fon: +49 5231 14-0
Fax: +49 5231 14-292083
www.weidmueller.com



Coupling, design for FreeCon PushPull plug-in connectors
ver.14 according to IEC 61076-3-117, metal with hybrid
10-pole Insert

General ordering data

Type	IE-CD-V14MHYB-10P-C-MA
Order No.	1068840000
Version	Junction box, FreeCon, Hybrid, Coupling
GTIN (EAN)	4032248823932
Qty.	1 pc(s).

Industrial Ethernet IE-CD-V14MHYB-10P-C-MA

Weidmüller Interface GmbH & Co. KG
 Klingenbergstraße 16
 D-32758 Detmold
 Germany
 Fon: +49 5231 14-0
 Fax: +49 5231 14-292083
 www.weidmueller.com

Technische Daten

Dimensions and weights

Net weight 652.82 g

Temperatures

Operating temperature -40 °C...+70 °C Storage temperature -40 °C...+75 °C
 Installation temperature

General data

Housing main material Aluminium profile, Cover: die-cast zinc, painted Protection degree IP 65
 UL 94 flammability rating V-0

Standards

Connector standard IEC 61076-3-117 Var. 14

Technical specifications for hybrid connector

Contact material (hybrid connector)	Copper alloy	Contact resistance (hybrid connector)	≤ 10 mΩ
Contact surface (hybrid connector)	Gold over nickel	Housing base material (hybrid connector)	Zinc diecast (flange), PA 66
Material of seal (hybrid connector)	NBR	Plugging cycles (hybrid connector)	500
Pole count, Hybrid	10	Protection degree (hybrid connector)	IP 65
Rated current (hybrid connector)	3 A per contact	Rated voltage (DIN EN 61984) (hybrid connector)	24 V
Shielding (hybrid connector)	360° shield contact		

Classifications

eClass 6.2 27-25-05-04 eClass 7.1 27-25-05-04

Approvals

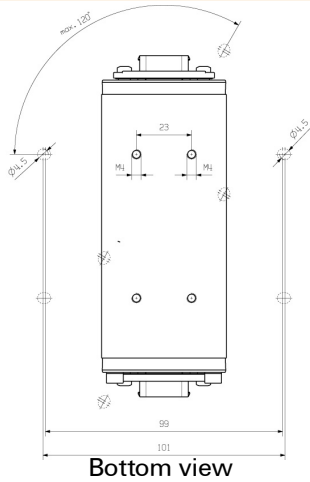
Approvals

**Industrial Ethernet
IE-CD-V14MHYB-10P-C-MA**

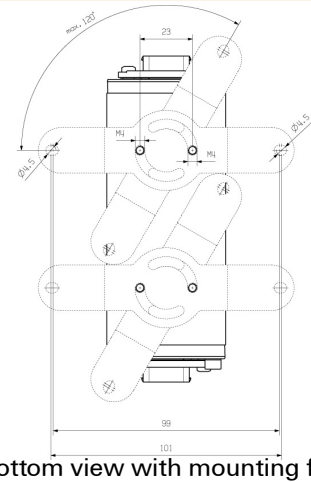
Weidmüller Interface GmbH & Co. KG
 Klingenbergstraße 16
 D-32758 Detmold
 Germany
 Fon: +49 5231 14-0
 Fax: +49 5231 14-292083
 www.weidmueller.com

Zeichnungen

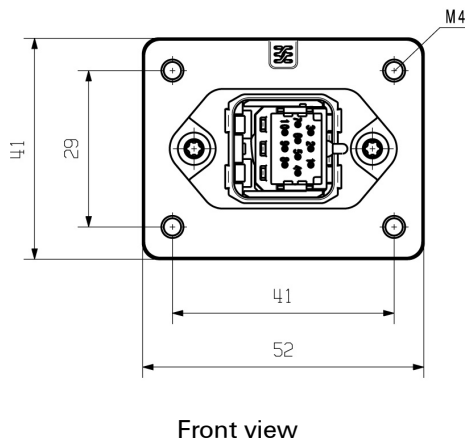
Dimensioned drawing



Dimensioned drawing



Dimensioned drawing



Dimensioned drawing

