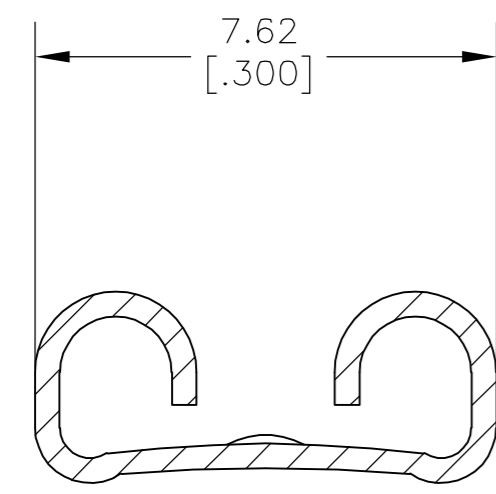


THIS DRAWING IS UNPUBLISHED. RELEASED FOR PUBLICATION
 © COPYRIGHT BY TYCO ELECTRONICS CORPORATION. ALL RIGHTS RESERVED.

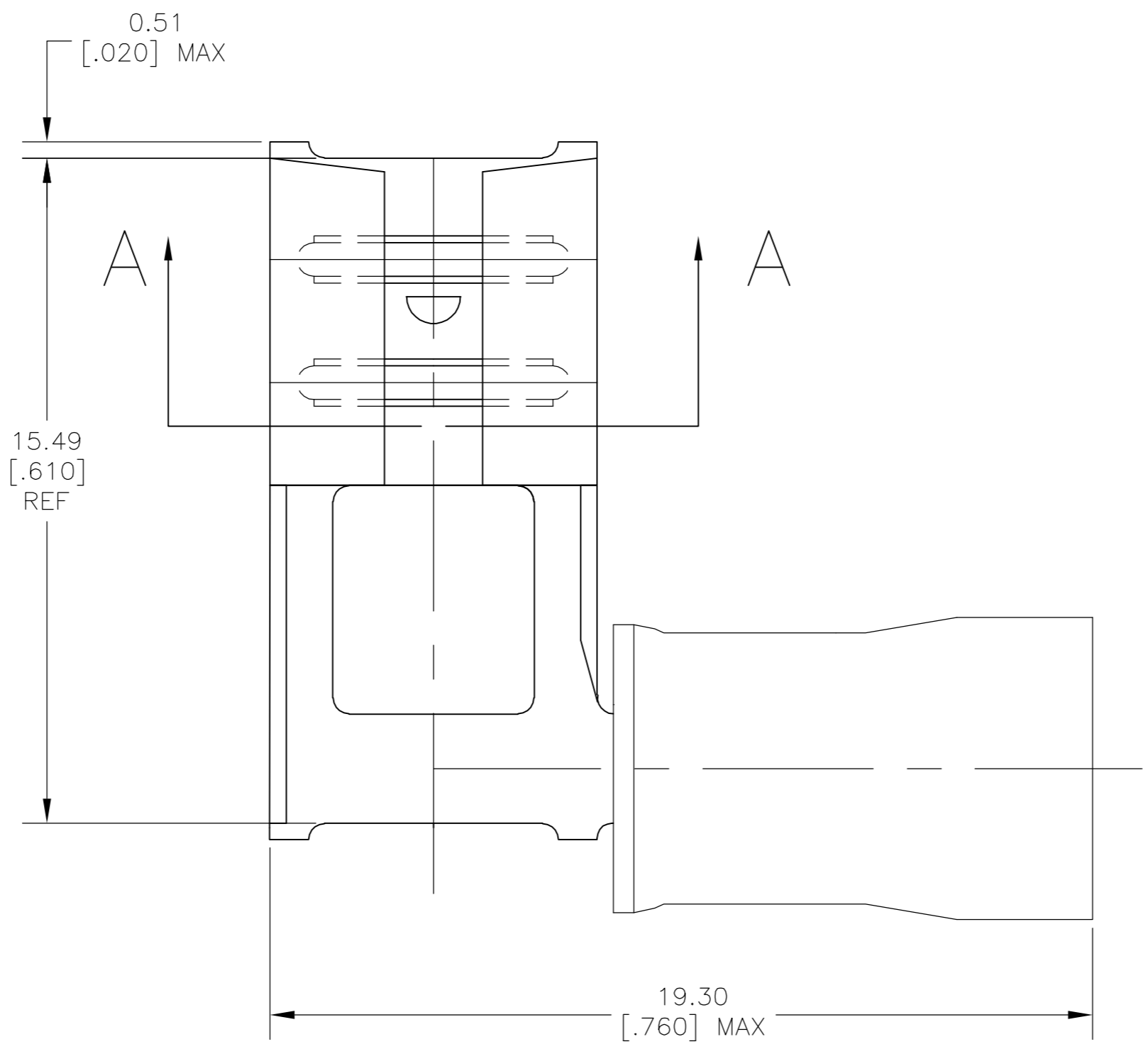
LOC	DIST	REVISIONS					
		P	LTR	DESCRIPTION	DATE	DWN	APVD
G	86		B1	REV PER ECR 06-020266	24AUG06	JR	TM

AMP WIRE RANGE
 1.2-2.0 mm²
 [16-14] AWG
 STRANDED

- 1 WIRE INSULATION O.D. IS 2.88-4.32 [.115-.170].
- 2 FITS TAB 6.35±0.08 X 0.81±0.025 [.250±.003 X .032±.001].
- △3 MATERIAL: BODY - 0.41 [.016] BRASS
 SLEEVE - COPPER
 INSULATION - NYLON
- △4 FINISH: BODY - TIN-PLATED
 SLEEVE - TIN PLATED
 INSULATION - COLOR BLUE



SECTION A-A



1000	LOOSE PIECE	156666-1
QTY	PACKAGE TYPE	PART NO.

THIS DRAWING IS A CONTROLLED DOCUMENT.		DWN	JR RUTH	03OCT02	Tyco Electronics Corporation Harrisburg, PA 17105-3608			
DIMENSIONS: INCHES		CHK	T MICHIELUTTI	03OCT02				
TOLERANCES UNLESS OTHERWISE SPECIFIED:		APVD	T MICHIELUTTI	03OCT02				
0 PLC ± - 1 PLC ± - 2 PLC ± 0.25 [.010] 3 PLC ± - 4 PLC ± - ANGLES ± - FINISH		PRODUCT SPEC	NAME			RECEPTACLE, 250 SERIES, FLAG FASTON, PIDG, WIRE SIZE 16-14 AWG		
MATERIAL	△3	FINISH	△4	WEIGHT	-			
CUSTOMER DRAWING			SCALE	8:1	SHEET	1 of 1	REV	B1

156666