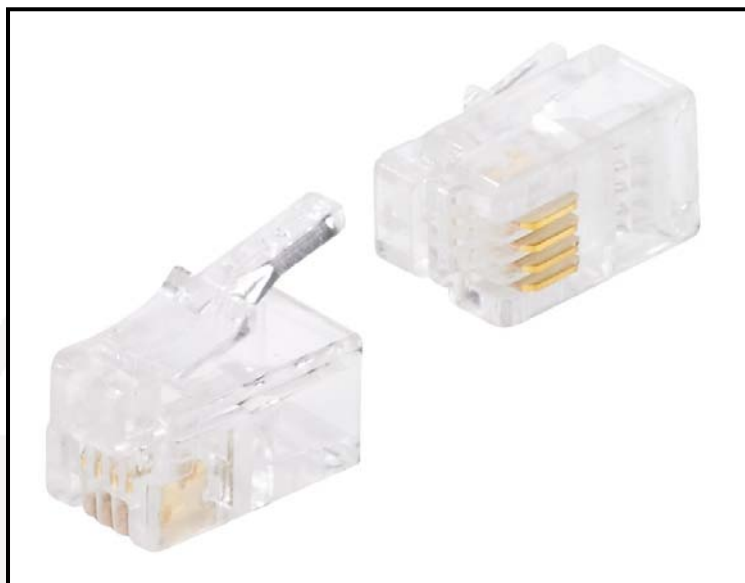


## Modular Plug RJ11 (6P4C)



### **Modular Plug (PCF64 / PGF64)**

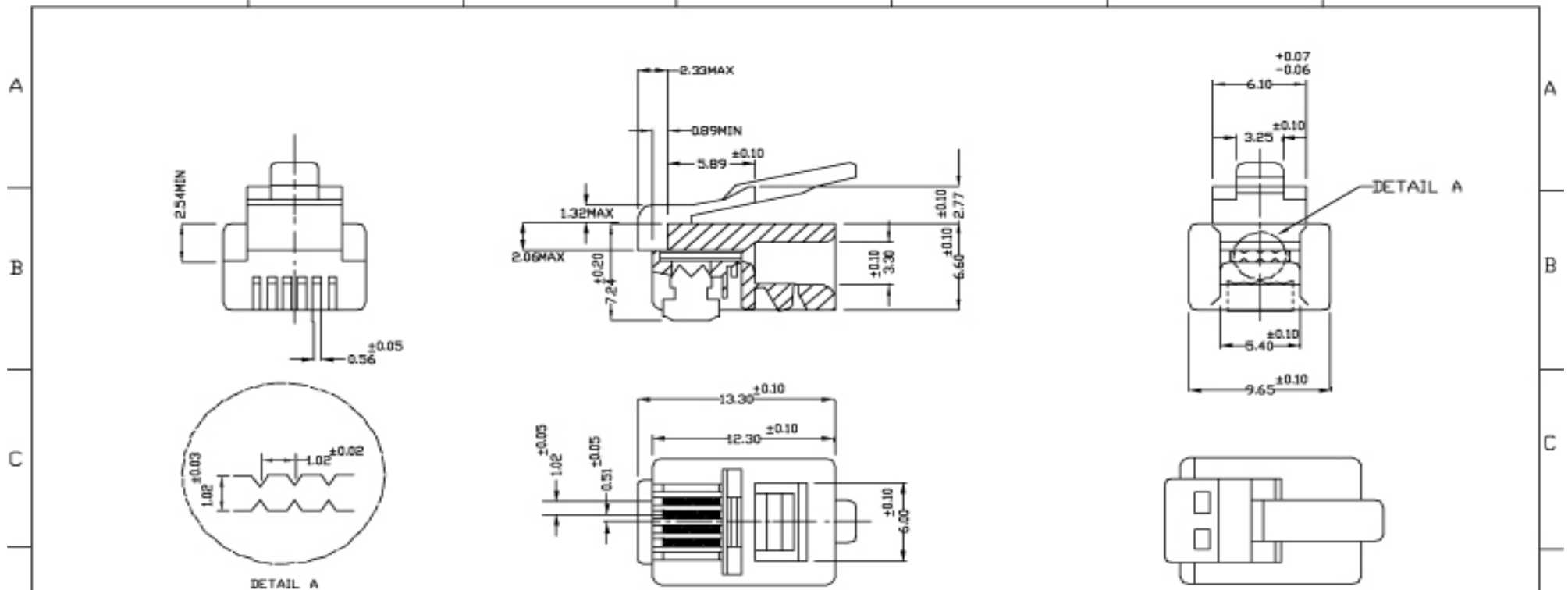
6 position 4 contact plug used on telephone line cords and a variety of other applications. Known as RJ11 connector

#### ***Features***

- Suitable for round (PGF64) or flat (PCF64) cable
- UL listed
- Contact blades are suitable for stranded and/or solid wire from 24-26 AWG
- Shielded, long bodied, customised logos and colours are available to order
- Also available in 6 position and 6 contacts (see PCH66)

#### ***Specifications***

- Housing: Polycarbonate, UL94V
- Contacts: 15 $\mu$ "/0.38 $\mu$ m Gold plated over 100 $\mu$  " / 2.54 $\mu$ m Nickel plate over Phosphor Bronze



**SPECIFICATIONS**

- MATERIAL  
HOUSING: POLYCARBONATE (PC),  
CONTACT: PHOSPHOR BRONZE  
FINE GOLD PLATED OVER NICKEL,
- MECHANICAL  
CABLE TO PLUG TENSILE STRENGTH:  
200lbs MINIMUM,  
DURABILITY: 200 MATING CYCLES MIN.

- ELECTRICAL  
UL APPLICATIONS: 250 VOLTS AC  
MAX. AT 2 AMPS,  
DIELECTRIC WITHSTANDING VOLTAGE:  
500 VOLTS AC,  
INSULATION RESISTANCE: 500 MEGOHMS,  
TERMINATION RESISTANCE: 35 MILLIOHMS  
MAX. AFTER ENVIRONMENTAL TESTING.

APPD.	FILE	PCF64	
CHKD.	DWG NO.		
DR.	TITLE	6P4C	

**TUK Ltd**

SCALE	/	SIZE	A4
UNIT	MM	REV.	A1

REV.	DESCRIPTION	ENG.	APPROVAL
A1			