

150 X 80 X 40 CM

59.1" X 31.5" X 15.8"

MADERCLICK

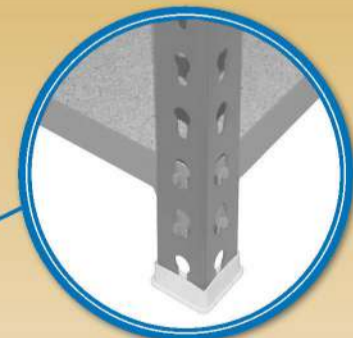
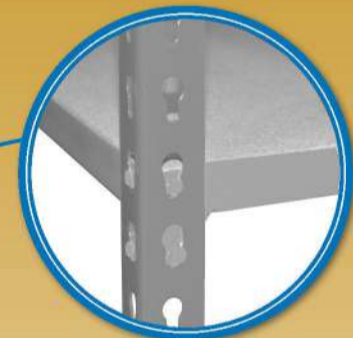
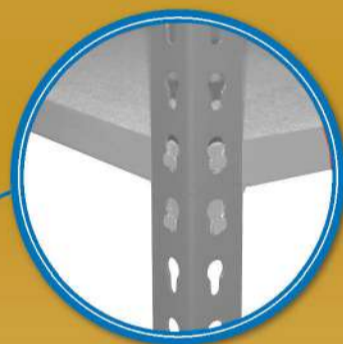
MINI

4/400

5 Años Garantía
Years Guarantee
Jahre Garantie
Ans Garantie
Anos de Garantia
SIMONRACK



600 kg
(1320 lb)
Total



*MEDIDAS EN USO USED MEASUREMENTS
MASSNAHMEN IM EINSATZ MESURES EN EMPLOI MEDIDAS EM USO:
1485 x 810 x 410 mm (58.4" x 31.9" x 16.14")



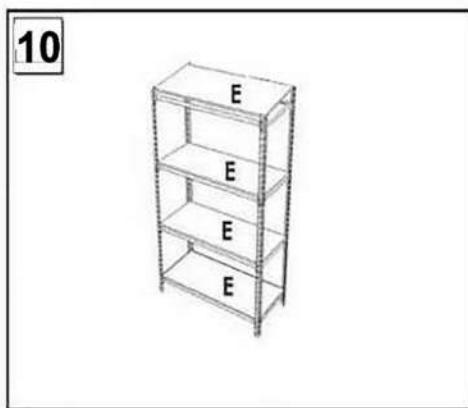
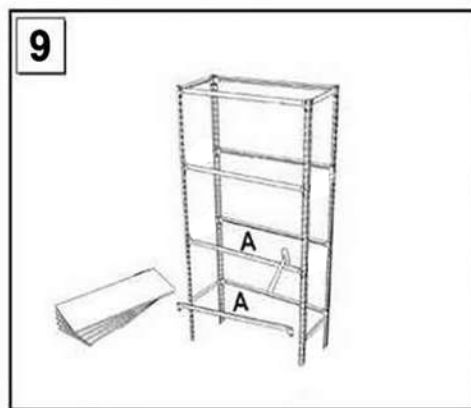
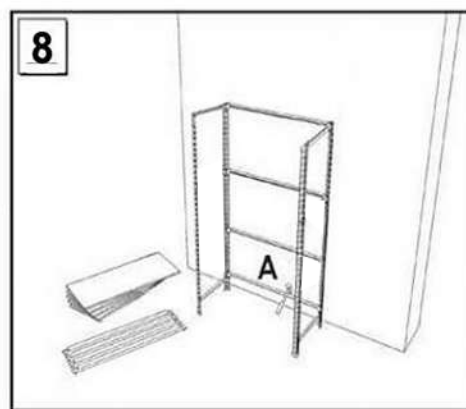
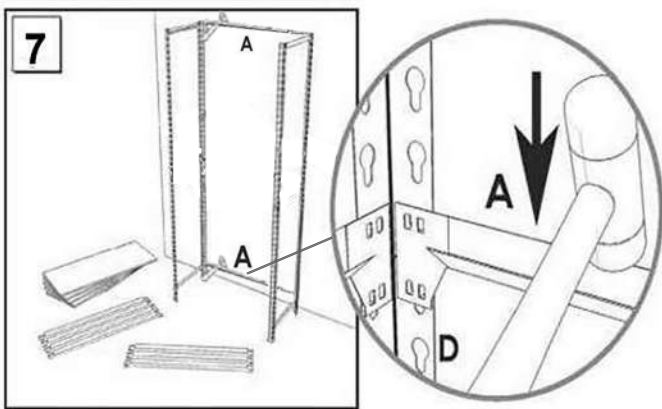
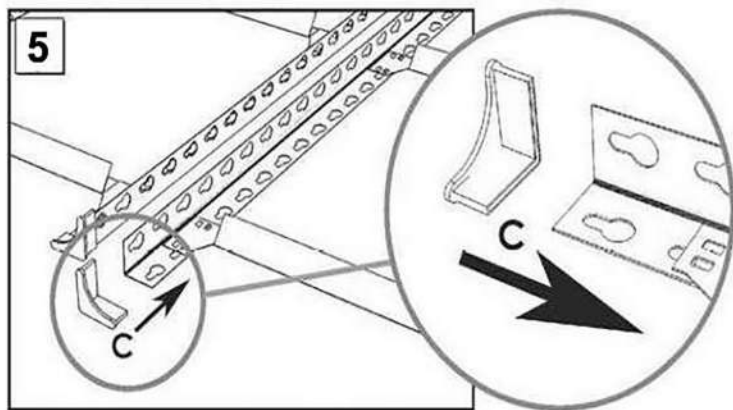
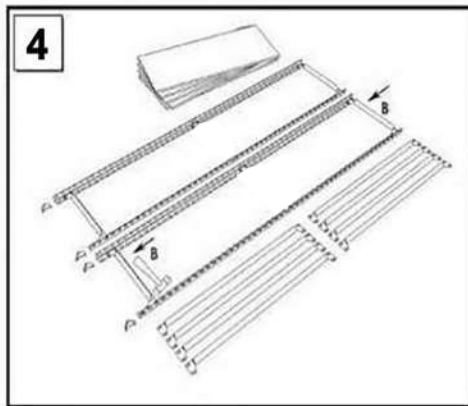
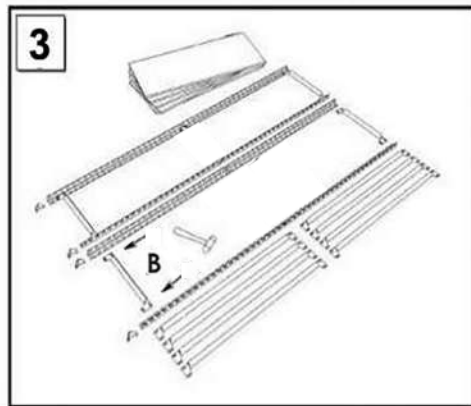
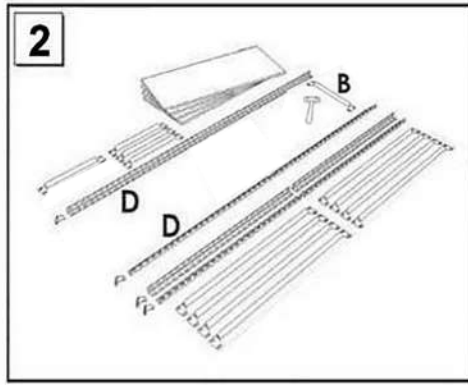
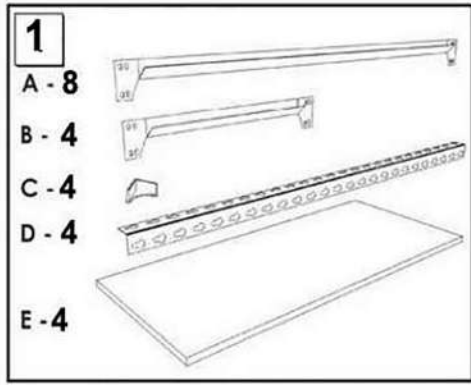
ESTANTERIAS SIMON S.L. B.50.556.463
PG. ALFAMEN C/ POLIGONO C, N°3
ALFAMEN (ZARAGOZA)



www.simonrack.com



INSTRUCTIONS



www.simonrack.com • www.simonrack.com • www.simonrack.com • www.simonrack.com • www.simonrack.com • www.simonrack.com • www.simonrack.com • www.simonrack.com • www.simonrack.com • www.simonrack.com

SIMONCLASSIC



SIMONCLICK



SIMONOFFICE



SIMONTALLER



**BANCOS DE TRABAJO
WORK BENCHES**



SIMONHOME



**TAGUILLAS
LOCKER**



SIMONTITÁN



SIMONINOX



SIMONPALET



SIMONLEVER



**ALTILLOS Y PASILLOS ELEVADOS
PLATFORMS AND MEZZANINES**

