

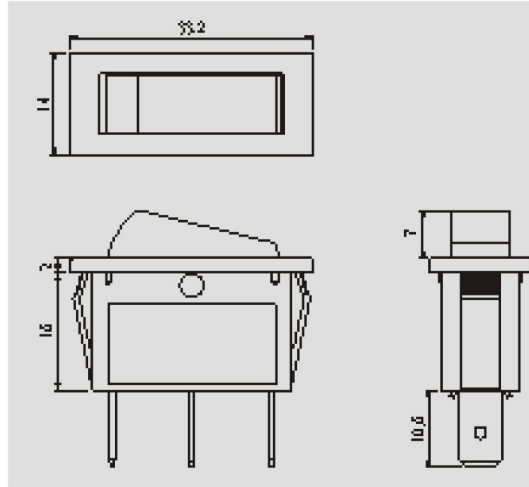
## Rocker switches

Order code	Manufacturer code	Description
75-0295	n/a	SPST 10A RED ROCKER SWITCH RC

Rocker switches	Page 1 of 3
The enclosed information is believed to be correct, Information may change without notice due to product improvement. Users should ensure that the product is suitable for their use. E. & O. E.	Revision A 20/02/2007

# R13-70jE91

LR45128



Rating	
16A 125V AC 1/8HP	
125VAC	
10A 250V AC 1/3HP	
250VAC	
Contact resistance	
50mΩ [ Max	
Insulation resistance	
DC 500V 100MΩ [ Min	
Dielectric strength	
AC 1500V 1 minute	
Cut-out	

## FEATURES

- MATERIAL: Frames are nylon (UL flame: 94V-2). Terminals are silver plated brass.
- Illuminated actuators are molded in PC, available with red, amber, and green colors.
- Snap-in mounting, easy to install switch into panel.
- The dimension of frame is 33.2\*14, for shorter dimension of frame 31.5\*14, please refer to page 1-33, item NO. R13-221.
- SO terminal is not available for function H & I.

X	Y
---	---

	X	Y
0.75~1.25	30.2-0.1	11.2+0.1
1.25~2	30.4-0.1	11.2+0.1
2~3	30.8-0.1	11.2+0.1

## R13- [ ] - [ ]

ROCKER	FUNCTION		TERMINAL
<p>7 0</p>	<p>A</p>	<p>D</p>	<p>0 1</p> <p>.250" SQ</p>
<p>9 1</p>	<p>B</p> <p>(ILLUMINATED)</p>	<p>F</p>	<p>0 5</p> <p>SO</p>

\* ( ) = momentary

