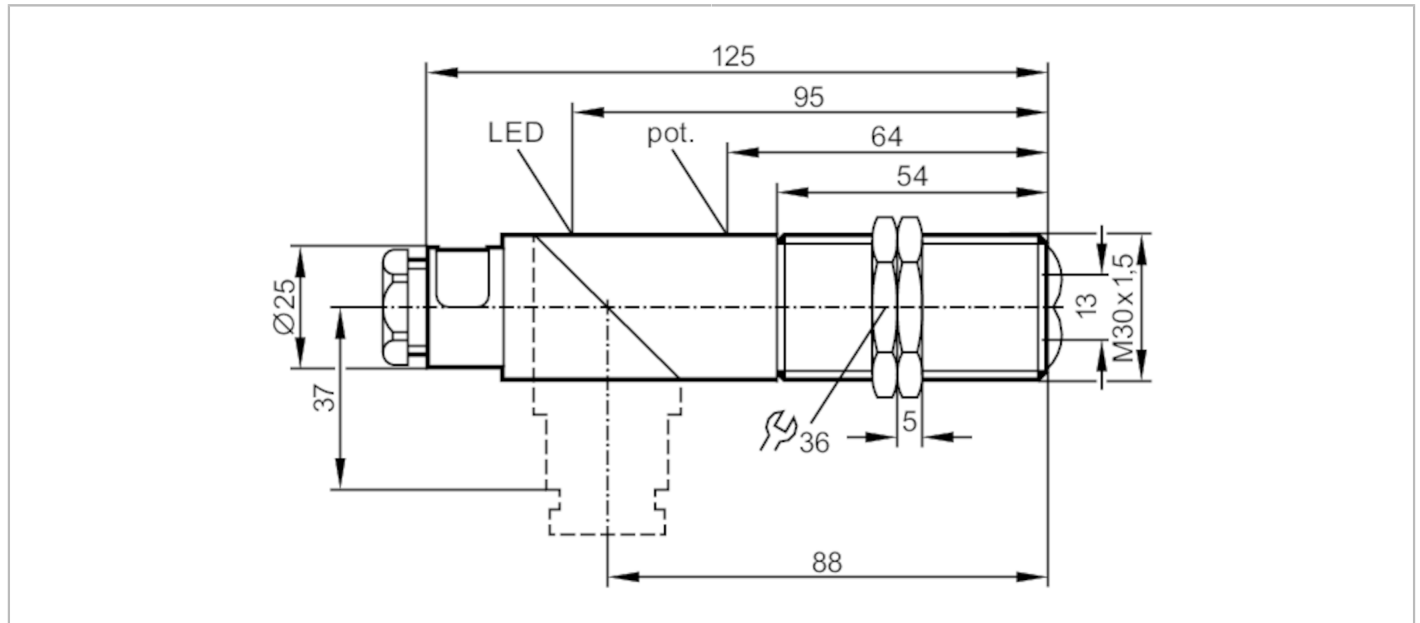


OI5001



Retro-reflective sensor

OIR-FPKG



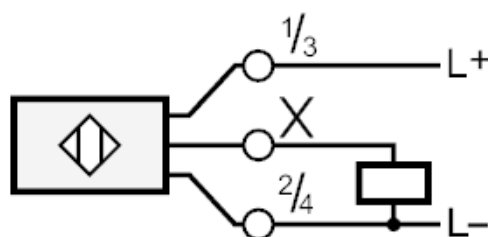
Product characteristics	
Type of light	infrared light
Housing	threaded type
Dimensions [mm]	M30 x 1.5 / L = 125
Application	
Function principle	Retro-reflective sensor
Electrical data	
Operating voltage [V]	10..55 DC
Current consumption [mA]	30; ((24 V))
Protection class	II
Reverse polarity protection	yes
Type of light	infrared light
Wave length [nm]	950
Outputs	
Electrical design	PNP
Output function	light-on/dark-on mode; (programmable)
Max. voltage drop switching output DC [V]	2.5
Permanent current rating of switching output DC [mA]	250
Switching frequency DC [Hz]	65
Short-circuit protection	yes
Type of short-circuit protection	pulsed
Overload protection	yes



Retro-reflective sensor

OIR-FPKG

Detection zone		
Range referred to prismatic reflector [m]	0.1...4; (Prismatic reflector Ø 80 E20005)	
Range adjustable	yes	
Max. light spot diameter [mm]	280	
Light spot dimensions refer to	at maximum range	
Operating conditions		
Ambient temperature [°C]	-25...80	
Protection	IP 65	
Tests / approvals		
EMC	EN 60947-5-2	
MTTF [years]	659	
Mechanical data		
Weight [g]	124	
Housing	threaded type	
Dimensions [mm]	M30 x 1.5 / L = 125	
Thread designation	M30 x 1.5	
Materials	PBT; PPO modified	
Lens material	PMMA	
Displays / operating elements		
Display	switching status	1 x LED, yellow
Accessories		
Accessories (supplied)	lock nuts: 2 x screwdrivers	
Remarks		
Pack quantity	1 pcs.	
Electrical connection		
terminals: ...1.5 mm ² ; Cable sheath: Ø 7...13 mm; Cable gland: M20 X 1.5		
Connection		





Retro-reflective sensor

OIR-FPKG

Diagrams and graphs

excess gain graph

