



Figure can vary

Part no.: 50135466
A7-V1-MP1-DS-ROG-T-100
Signaling column



Contents

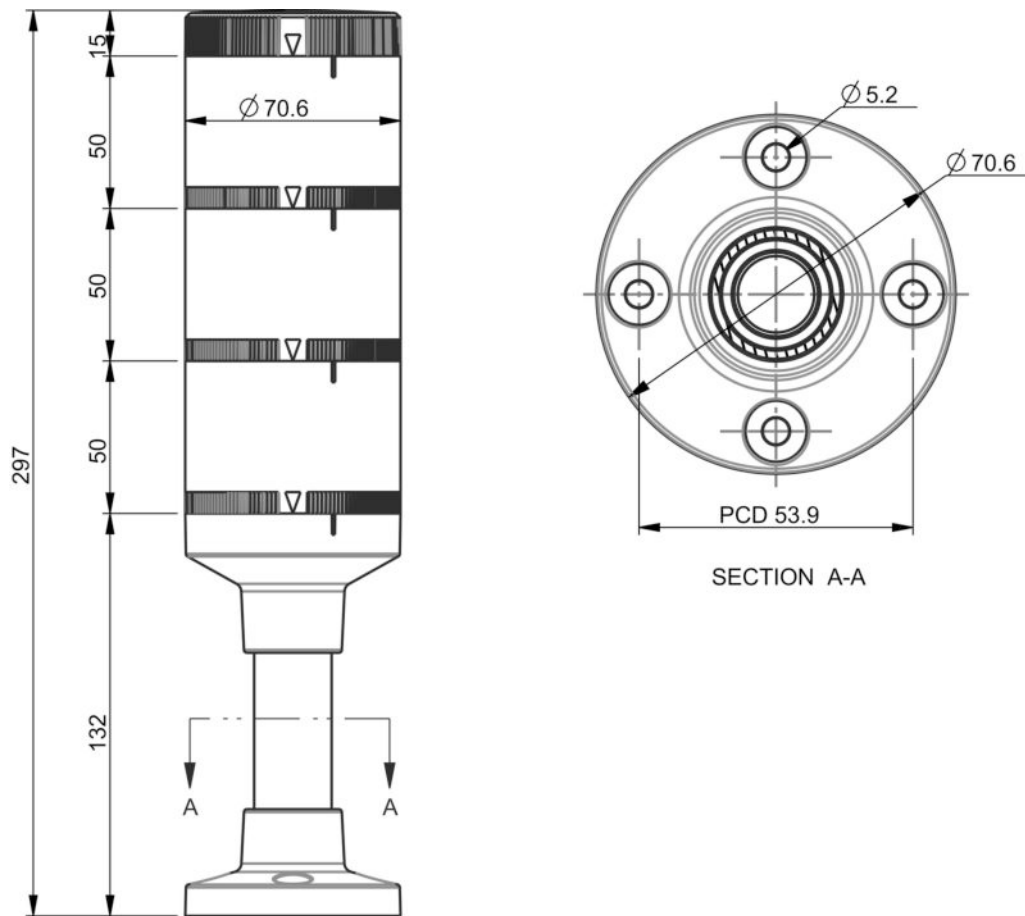
- Technical data
- Dimensioned drawings
- Electrical connection
- Notes
- Accessories

Technical data

Basic data	
Series	A7
Type of signaling	Optical
Electrical data	
Life expectancy	> 100,000 h
Performance data	
Supply voltage U_B	24 V , DC , 10 %
Current consumption, max.	130 mA
Connection	
Number of connections	1 Piece(s)
Connection 1	
Function	Voltage supply
Type of connection	Terminal
Cable length	1,500 mm
Number of conductors	6 -wire
Connection 2	
Type of connection	Open end
Mechanical data	
Design	Cylindrical
Dimension ($\varnothing \times L$)	70 mm x 297 mm
Housing material	Metal Plastic
Net weight	535 g
Housing color	Black Gray
Type of fastening, at system	Screw type / horizontal
Type of illuminant	LED/24V
Lens modules	3 pieces, ready-made
Signal image	Continuous light
Angle of radiation	360°
Sequence of the modules (ascending)	Green, orange, red
Certifications	
Degree of protection	IP 66
Certifications	CE CSA
Classification	
Customs tariff number	85318070
eCl@ss 8.0	27371220
eCl@ss 9.0	27371220
ETIM 5.0	EC000232
ETIM 6.0	EC000232

Dimensioned drawings

All dimensions in millimeters



Electrical connection

Connection 1	
Function	Voltage supply
Type of connection	Terminal
Type of terminal	Tension spring technology
Cable length	1,500 mm
Sheathing material	PVC
Cable color	Gray
Number of conductors	6 -wire
Wire cross section	0.34 mm ²

Conductor color	Conductor assignment
Black	GND
Green	Light color: green
Yellow	Light color: orange
Red	Light color: red
Blue	Light color: blue
White	Light color: white / buzzer

Part no.: 50135466 – A7-V1-MP1-DS-ROG-T-100 – Signaling column



Connection 2	
Type of connection	Open end

Notes

Observe intended use!
<ul style="list-style-type: none"> • This product is not a safety sensor and is not intended as personnel protection. • The product may only be put into operation by competent persons. • Only use the product in accordance with its intended use.

Accessories

Mounting technology - Mounting brackets

	Part no.	Designation	Article	Description
	50137729	A7-MW1	Signaling column element	Design: Angle, L-shape Fastening, at system: Through-hole mounting
	50142896	A7-MW2	Signaling column element	Design: Angle, L-shape Fastening, at system: Through-hole mounting

Note
A list with all available accessories can be found on the Leuze electronic website in the Download tab of the article detailed page.