

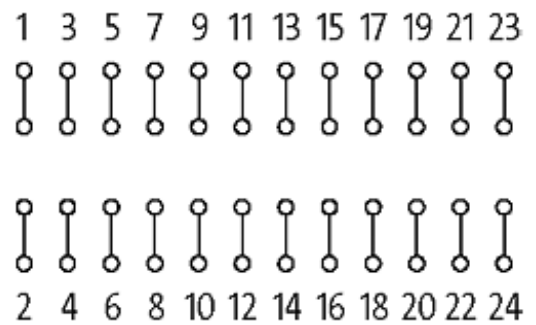
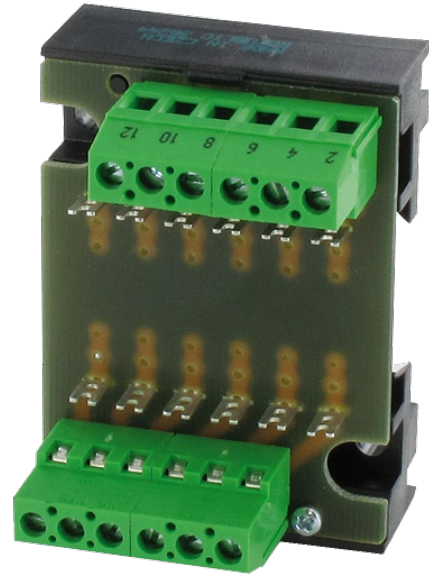
## ASSEMBLY MODULE MP 12

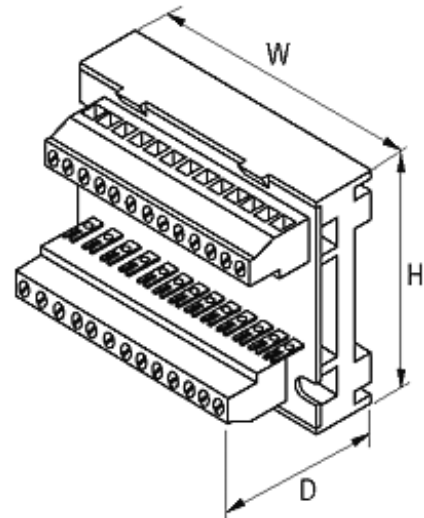
Mounting rail / screw-type terminal

12 pairs of solder pins

### [Link to Product](#)

#### Illustration



*stay connected*

Product may differ from Image

### Technical Data

Operating voltage	max. 250 V AC/DC
Operating current	max. 5 A
Distance of solder pins	24 mm

### General data

Connection	Screw terminals: max. 4 mm <sup>2</sup> , pairs of solder pins (spacing 5 mm)
Mounting method	DIN-rail mountable TH35 or G32 (EN 60715) or screwable
Housing	Plastic, flame retardant. Open design.
Dimensions H × W × D	63×70×36 mm
Temperature range	-20...+60 °C

### Commercial data

country of origin	CZ
customs tariff number	85369010
minimum order quantity	1