


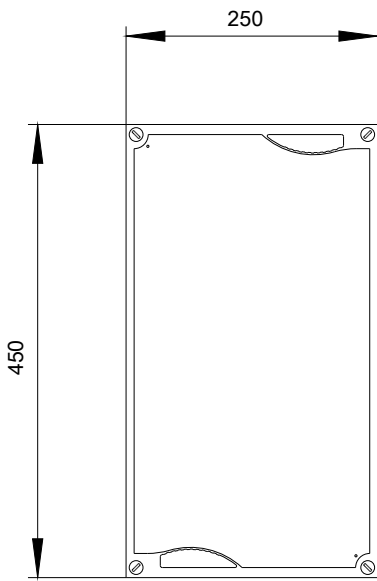




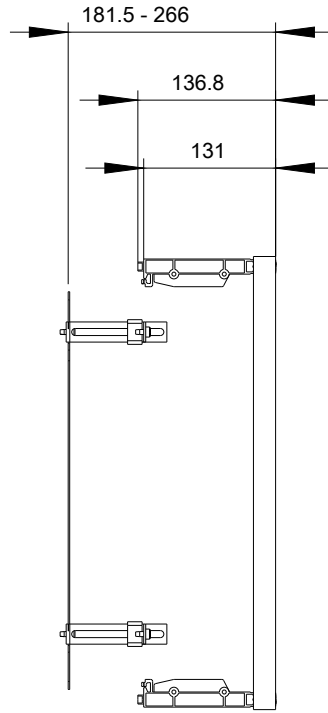
ALPHA 400/630 DIN, KIT MOUNTING PLATE WITH FIELD COVER WITHOUT CUTOUT H=450 W=250

| Accessories   |                       |   |   |  |  |
|---|-----------------------|---|---|--|--|
| accessories   |                       |   | others  |  |  |
| General Product Approval  |                       | Declaration of Conformity   | Test Certificates   |  |  |
| <br>GOST | <a href="#">other</a> |  | <br>EG-Konf. | <a href="#">Type Test Certificates/Test Report</a> | <a href="#">Special Test Certificate</a> |

| Further information   |
|---|
| <b>Information- and Downloadcenter (Catalogs, Brochures,...)</b><br><a href="http://www.siemens.com/lowvoltage/catalogs">http://www.siemens.com/lowvoltage/catalogs</a>   |
| <b>Industry Mall (Online ordering system)</b><br><a href="https://eb.automation.siemens.com/mall/en/WW/Catalog/Product/8GK44513KK12">https://eb.automation.siemens.com/mall/en/WW/Catalog/Product/8GK44513KK12</a>  |
| <b>Service&amp;Support (Manuals, Certificates, Characteristics, FAQs,...)</b><br><a href="http://support.automation.siemens.com/WW/view/en/8GK44513KK12/all">http://support.automation.siemens.com/WW/view/en/8GK44513KK12/all</a>                                    |
| <b>Image database (product images, 2D dimension drawings, 3D models, device circuit diagrams, ...)</b><br><a href="http://www.automation.siemens.com/bilddb/cax_en.aspx?mlfb=8GK44513KK12">http://www.automation.siemens.com/bilddb/cax_en.aspx?mlfb=8GK44513KK12</a> |
| <b>CAX-Online-Generator</b><br><a href="http://www.siemens.com/cax">http://www.siemens.com/cax</a>  |
| <b>Tender specifications</b><br><a href="http://ausschreibungstexte.siemens.com/tiplv">http://ausschreibungstexte.siemens.com/tiplv</a>   |



last modified:



11.03.2015