

# 227 SERIES

## Horizontal Hold Down Clamps | Product Overview

### Features:

- Low profile
- Large handle clearance in the open position.
- Available in stainless steel
- BLK models feature a black, non-reflective finish

### Applications:

- Assembly
- Checking fixtures
- Closures
- Woodworking

### Also Available:

See page MC-ACC-1 for accessories  
Accommodates M6 or 5/16" spindle accessory

**227-U**  
Flanged Base  
U-Bar



**227-U-LS-BLK** ⓘ  
Blackout Series  
Flanged Base  
U-Bar



**227-USS**  
Flanged Base  
U-Bar, Stainless  
Steel



**227-UB**  
Straight Base  
U-Bar



**227-UB-LS-BLK** ⓘ  
Blackout Series  
Straight Base  
U-Bar



**227-U-L** ⓘ  
Flanged Base  
Open Bar



**227-U-L-BLK** ⓘ  
Blackout Series  
Flanged Base  
Open Bar



**227-UB-L** ⓘ  
Straight Base  
Open Bar



**227-UB-L-BLK** ⓘ  
Blackout Series  
Straight Base  
Open Bar



ⓘ This item is available upon request

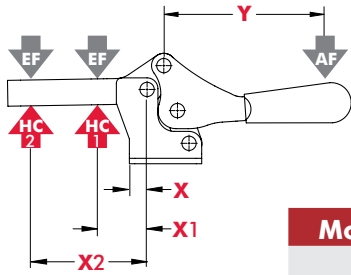
## Technical Information

Model	Max. Holding Capacity	Clamp Bar Opening (+10°)	Handle Opening (+10°)	Weight	Accessories (Supplied)	
					Spindle Assembly	Flanged Washers
227-U	2220 N [500 lbf]	91°	56°	0,31kg [0.68lb]	225208-M	507107
227-U-LS-BLK ⓘ					--	507107-BLK
227-USS	2670 N [600 lbf]				-207943-M	507907
227-UB	2220 N [500 lbf]				225208-M	507107
227-UB-LS-BLK ⓘ					--	507107-BLK
227-U-L ⓘ					--	507107
227-U-L-BLK ⓘ					--	507107-BLK
227-UB-L ⓘ					--	507107
227-UB-L-BLK ⓘ		--	507107-BLK			

ⓘ This item is available upon request

# 227 SERIES

## Horizontal Hold Down Clamps | Holding Capacities

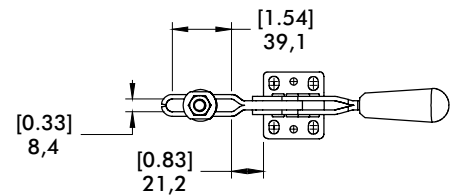


Model	X	X1	X2	Y	±HC1	±HC2	±EF(X1):AF	±EF(X2):AF
U					[500lbf.] 2220N	[225lbf.] 1000N		
USS	[0.39] 10,0	[1.25] 31,8	[2.75] 70,0	[3.58] 91,0	[600lbf.] 2670N	[270lbf.] 1200N	8:1	3:1
UB/U-L/ UB-L					500lbf.] 2220N	[225lbf.] 1000N		

Dimensions shown "mm [inch]" ± HC = Holding Capacity, EF = Exerting Force, AF = Applied Force  
See page MC-TEC-4 for additional information.

### Dimensions | -U/-USS/-UB

**227-U**  
Flanged Base  
U-Bar

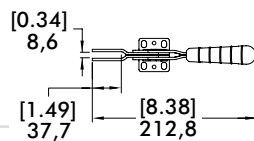


### Series 227 Open Bar Options

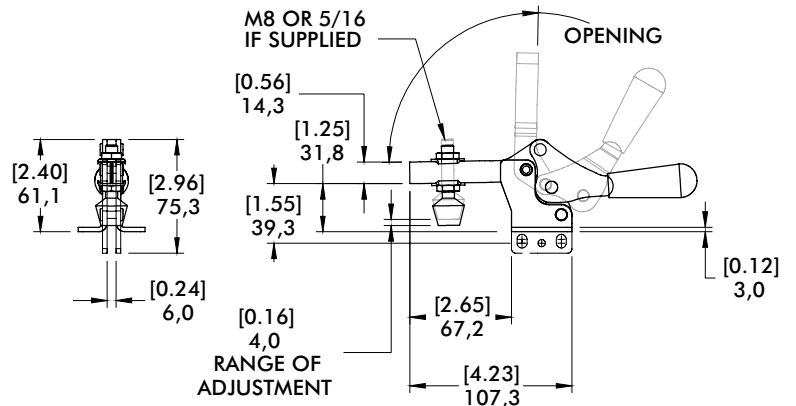
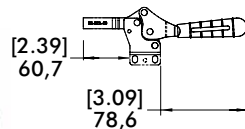


Flanged Base  
Model  
**227-U-L**

See page MC-ACC-7 for Complete offering of Open bar accessories



Straight Base  
Model  
**227-UB-L**



M8 OR 5/16  
IF SUPPLIED

OPENING

RANGE OF  
ADJUSTMENT

