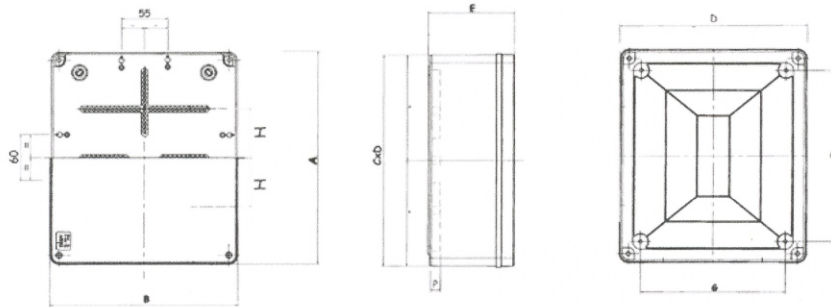
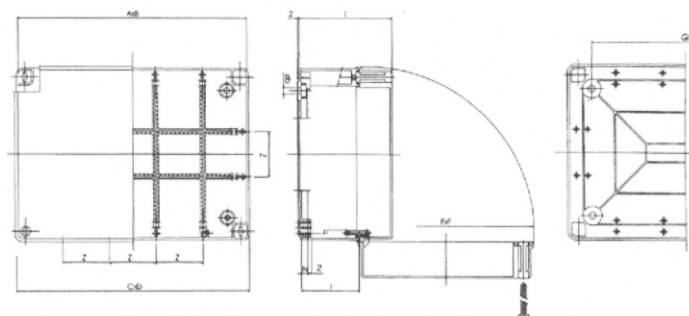


SERIE OL2 CASSETTE DI DERIVAZIONE STAGNE DA PARETE

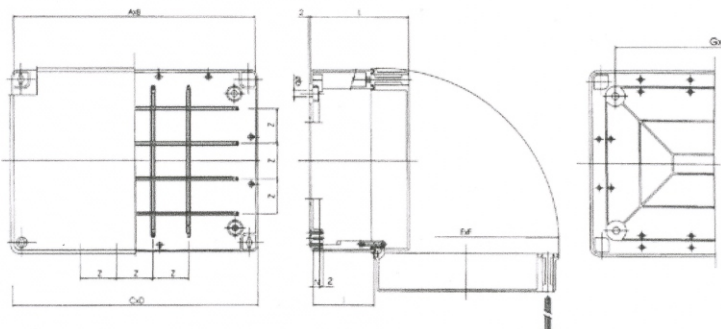
JUNCTION BOXES FOR WALL MOUNTING / BOITES DE DÉRIVATION A ENCASTRER



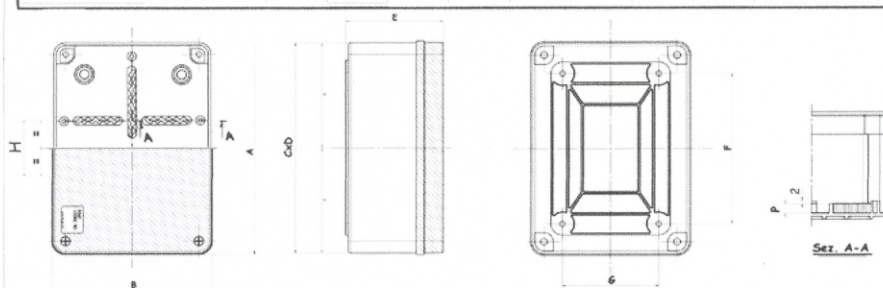
Codice	-A-	-B-	-C-	-D-	-E-	-F-	-G-	-H-	-I-	-L-	-M-	-N-	-P-
EN81302	248	198	244	194	95	200	150	55	-	-	-	-	7



Codice	-A-	-B-	-C-	-D-	-E-	-F-	-G-	-H-	-I-	-L-	-N-	-b-	-Z-
EN81303	305	230	310	235	235	315	250	170	78	125	7	8	62



Codice	-A-	-B-	-C-	-D-	-E-	-F-	-G-	-H-	-I-	-L-	-N-	-b-	-Z-
EN81304	400	315	380	300	295	375	330	250	80	128	7	8	62



Codice	-A-	-B-	-C-	-D-	-E-	-F-	-G-	-H-	-I-	-L-	-M-	-N-	-O-	-P-
EN81305	158	118	154	114	76	112	72	45	-	-	-	-	-	7
EN81306	198	148	194	144	76	142	102	55	-	-	-	-	-	7