



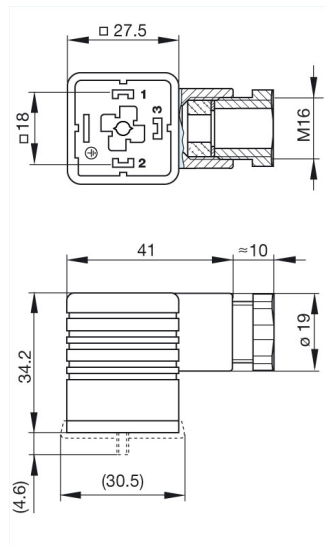
## GDM 3016 grau/grey

Industrial Connectors:Rectangular connectors GDM-series:Type A EN 175301-803 (DIN 43650) / ISO 4400:Cable socket, self-assembly

### Product description

Description	cable socket with central screw M 3 x 35
Type	GDM 3016 grau/grey
Order No.	934 395-106
Other standard types	black housing, Order no. 934 395-100
Number of contacts	3 + PE
Cable gland	M 16
Conductor size	max. 1.5 mm <sup>2</sup>
Standard	DIN EN 175 301-803-A
Housing Color	grau
Construction type	A

### Drawing



### Technical data

Pin dimensions	6.3 mm x 0.8 mm, 4.8 mm x 0.8 mm
Rated voltage	UC 250 V
Rated current	16 A
Contact resistance	≤ 4 mOhm
Type of termination	screw
Suitable cables	4.5 mm to 10 mm diameter
Mounting	central nut

### Material

Contact surface material	Sn
Contact bearer material	PA
Housing material	PA

### Environmental conditions

Protection class (IEC 60529)	IP 65 (gasket necessary)
Pollution severity	3

Temperature range -40 °C to +125 °C

**Inflammability class**

Housing 94 HB

Contact bearer 94 HB

**Approvals**

VDE VDE

**Packaging unit**

Packaging unit 200 pieces

**Scope of delivery and accessories**

Accessories to order separately (NBR) flat gasket GDM 3-7,  
Order no. 730 801-002;  
(ECO) flat gasket GDM 3-21,  
Order no. 731 739-002;  
profiled gasket GDM 3-16,  
Order no. 731 531-002;  
knurled screw GDM 3011-8,  
Order no. 732 574-001;  
stainless steel screw GDM 3011 RF-1,  
Order no. 734 363-001