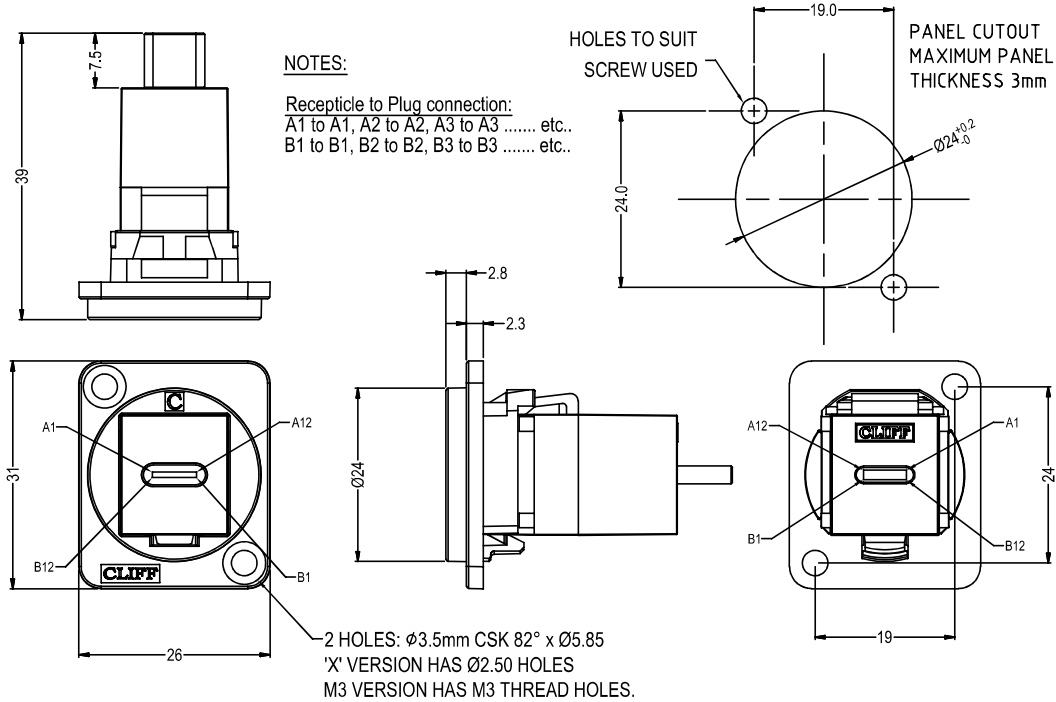




# USB-C Female-Male FEEDTHROUGH CONNECTOR



### Feedthrough Features

- Fits standard XLR  $\varnothing 24\text{mm}$  cutout.
- No soldering or punch termination. Use standard cable for each connector style.
- Front or rear mounted.
- Low rear profile

### General:

Please note: Functionality is affected by cable quality, length and cable wiring configuration.

### Material:

1. Insert: ABS - UL94 HB
2. Plastic Frame: Polyamide UL94 V-2
3. Metal Frame: Diecast, Black or Nickel plated

### VARIANTS

#### Part No.

- |                   |  |
|-------------------|--|
| <b>CP30211</b>    | USB-C F-M Black plastic frame, CSK holes       |
| <b>CP30211W</b>   | USB-C F-M White plastic frame, CSK holes       |
| <b>CP30211M</b>   | USB-C F-M Nickel plated metal frame, CSK holes |
| <b>CP30211M3</b>  | USB-C F-M Nickel plated metal frame, M3 holes  |
| <b>CP30211MB</b>  | USB-C F-M Black metal frame, CSK holes         |
| <b>CP30211M3B</b> | USB-C F-M Black metal frame, M3 holes          |
| <b>CP30211X</b>   | USB-C F-M Black plastic frame, PLAIN holes     |
| <b>CP30211XW</b>  | USB-C F-M White plastic frame, PLAIN holes     |

### USB-C Specification:

- Maximum Rated Current - 3A
- Maximum Working Voltage - 30V
- Withstanding Voltage - 100V for 1 minute.
- Contact Resistance - 40 Milli-ohms Max.
- Insulation Resistance - 100 Mega-ohms Min.
- Insulator Flammability Rating - UL-94V0
- Insertion Life - 10,000 Cycles.