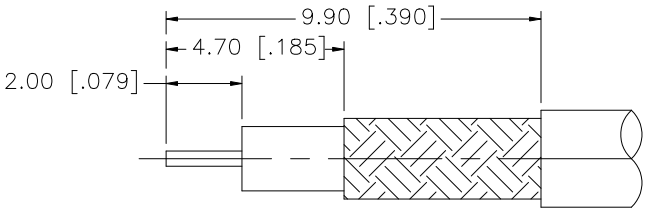
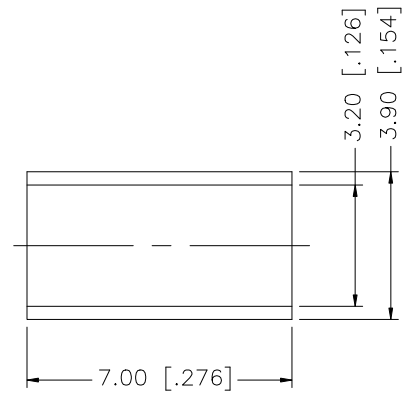
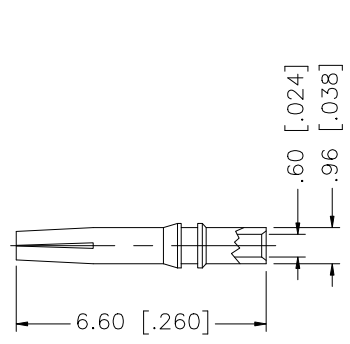
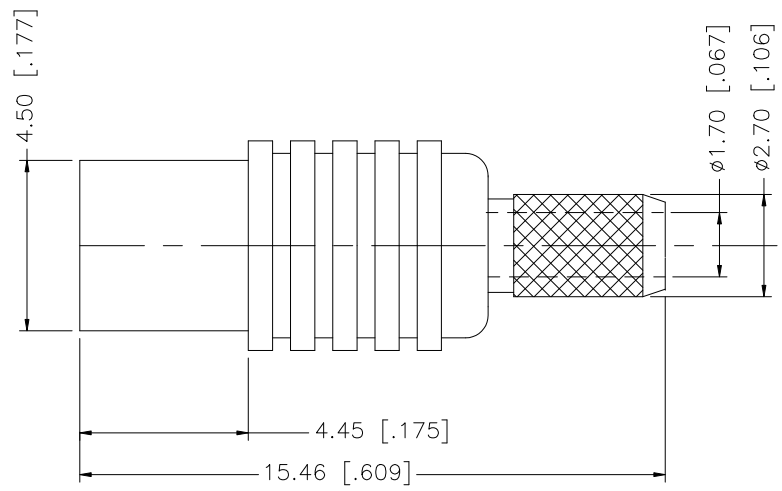


REV.	DATE	DESCRIPTION
NC	01/22/98	INITIAL RELEASE
A	08/26/07	REVISE BARREL AND FERRULE, UPDATE DRAWING FORMAT



RECOMMENDED CABLE STRIPPING DIMENSIONS



- NOTE:
1. CRIMPED FERRULE HEX CRIMP SIZE .128"
 2. CONTACT PIN TO SOLDER.

DESCRIPTION	MATERIAL	FINISH	QTY
FERRULE	COPPER	GOLD	1
CONTACT PIN	BER. COPPER	GOLD	1
INSULATOR	TEFLON	NATURAL	1
BODY	BRASS	GOLD	1

UNLESS OTHERWISE SPECIFIED DIMENSIONS ARE IN MILLIMETERS. DIMENSIONS IN [] ARE IN INCHES AND FOR CUSTOMER REFERENCE ONLY.

UNLESS OTHERWISE SPECIFIED TOLERANCES FOR MILLIMETERS ARE:
0.5 - 8mm ± 0.20mm
8 - 30mm ± 0.40mm
30 - 120mm ± 0.50mm

UNLESS OTHERWISE SPECIFIED TOLERANCES FOR INCHES ARE:
.020 - .315 = ± 0.007"
.315 - 1.180 = ± 0.015"
1.180 - 4.724 = ± 0.020"

DO NOT SCALE DRAWING

APPROVALS	DATE
DRAWN G.R.S.	08/26/07
CHECKED	
ISSUED	
SHEET 1 OF 1	
CAD FILE	C:/252/252139.DWG

Amphenol Connex

PART DESCRIPTION
MCX CRIMP JACK
(FOR RG-174/U, 188A/U, 316/U)

PART NO.
252139

DWG. NO.	252139.DWG	REV.	A	SIZE	A	SCALE	NA
----------	------------	------	---	------	---	-------	----