

---

## CC430F613x, CC430F612x, CC430F513x MSP430™ SoC With RF Core

---

### 1 Device Overview

#### 1.1 Features

- True System-on-Chip (SoC) for Low-Power Wireless Communication Applications
- Wide Supply Voltage Range: 3.6 V Down to 1.8 V
- Ultra-Low Power Consumption
  - CPU Active Mode (AM): 160  $\mu$ A/MHz
  - Standby Mode (LPM3 RTC Mode): 2.0  $\mu$ A
  - Off Mode (LPM4 RAM Retention): 1.0  $\mu$ A
  - Radio in RX: 15 mA, 250 kbps, 915 MHz
- MSP430™ System and Peripherals
  - 16-Bit RISC Architecture, Extended Memory, up to 20-MHz System Clock
  - Wake up From Standby Mode in Less Than 6  $\mu$ s
  - Flexible Power-Management System With SVS and Brownout
  - Unified Clock System With FLL
  - 16-Bit Timer TA0, Timer\_A With Five Capture/Compare Registers
  - 16-Bit Timer TA1, Timer\_A With Three Capture/Compare Registers
  - Hardware Real-Time Clock (RTC)
  - Two Universal Serial Communication Interfaces (USCIs)
    - USCI\_A0 Supports UART, IrDA, SPI
    - USCI\_B0 Supports I<sup>2</sup>C, SPI
  - 12-Bit Analog-to-Digital Converter (ADC) With Internal Reference, Sample-and-Hold, and Autoscan Features (CC430F613x and CC430F513x Only)
  - Comparator
  - Integrated LCD Driver With Contrast Control for up to 96 Segments (Only CC430F61xx)
  - 128-Bit AES Security Encryption and Decryption Coprocessor
  - 32-Bit Hardware Multiplier
  - 3-Channel Internal DMA
  - Serial Onboard Programming, No External Programming Voltage Needed
  - Embedded Emulation Module (EEM)
- High-Performance Sub-1 GHz RF Transceiver Core
  - Same as in CC1101
  - Wide Supply Voltage Range: 2 V to 3.6 V
  - Frequency Bands: 300 MHz to 348 MHz, 389 MHz to 464 MHz, and 779 MHz to 928 MHz
  - Programmable Data Rate From 0.6 kBaud to 500 kBaud
  - High Sensitivity (–117 dBm at 0.6 kBaud, –111 dBm at 1.2 kBaud, 315 MHz, 1% Packet Error Rate)
  - Excellent Receiver Selectivity and Blocking Performance
  - Programmable Output Power up to +12 dBm for All Supported Frequencies
  - 2-FSK, 2-GFSK, and MSK Supported, Also OOK and Flexible ASK Shaping
  - Flexible Support for Packet-Oriented Systems: On-Chip Support for Sync Word Detection, Address Check, Flexible Packet Length, and Automatic CRC Handling
  - Support for Automatic Clear Channel Assessment (CCA) Before Transmitting (for Listen-Before-Talk Systems)
  - Digital RSSI Output
  - Suited for Systems Targeting Compliance With EN 300 220 (Europe) and FCC CFR Part 15 (US)
  - Suited for Systems Targeting Compliance With Wireless M-Bus Standard EN 13757-4:2005
  - Support for Asynchronous and Synchronous Serial Receive or Transmit Mode for Backward Compatibility With Existing Radio Communication Protocols
- [Device Comparison](#) Summarizes the Available Family Members

#### 1.2 Applications

- Wireless Analog and Digital Sensor Systems
- Heat Cost Allocators
- Thermostats
- AMR or AMI Metering
- Smart Grid Wireless Networks



### 1.3 Description

The TI CC430 family of ultra-low-power system-on-chip (SoC) microcontrollers with integrated RF transceiver cores consists of several devices that feature different sets of peripherals targeted for a wide range of applications. The architecture, combined with five low-power modes, is optimized to achieve extended battery life in portable measurement applications. The devices feature the powerful MSP430 16-bit RISC CPU, 16-bit registers, and constant generators that contribute to maximum code efficiency.

The CC430 family provides a tight integration between the microcontroller core, its peripherals, software, and the RF transceiver, making these true SoC solutions easy to use as well as improving performance.

The CC430F61xx series are microcontroller SoC configurations that combine the excellent performance of the state-of-the-art CC1101 sub-1 GHz RF transceiver with the MSP430 CPUXV2, up to 32KB of in-system programmable flash memory, up to 4KB of RAM, two 16-bit timers, a high-performance 12-bit ADC with eight external inputs plus internal temperature and battery sensors on CC430F613x devices, a comparator, USCI, a 128-bit AES security accelerator, a hardware multiplier, a DMA, an RTC module with alarm capabilities, an LCD driver, and up to 44 I/O pins.

The CC430F513x series are microcontroller SoC configurations that combine the excellent performance of the state-of-the-art CC1101 sub-1 GHz RF transceiver with the MSP430 CPUXV2, up to 32KB of in-system programmable flash memory, up to 4KB of RAM, two 16-bit timers, a high-performance 12-bit ADC with six external inputs plus internal temperature and battery sensors, a comparator, USCI, a 128-bit AES security accelerator, a hardware multiplier, a DMA, an RTC module with alarm capabilities, and up to 30 I/O pins.

For complete module descriptions, see the [CC430 Family User's Guide](#).

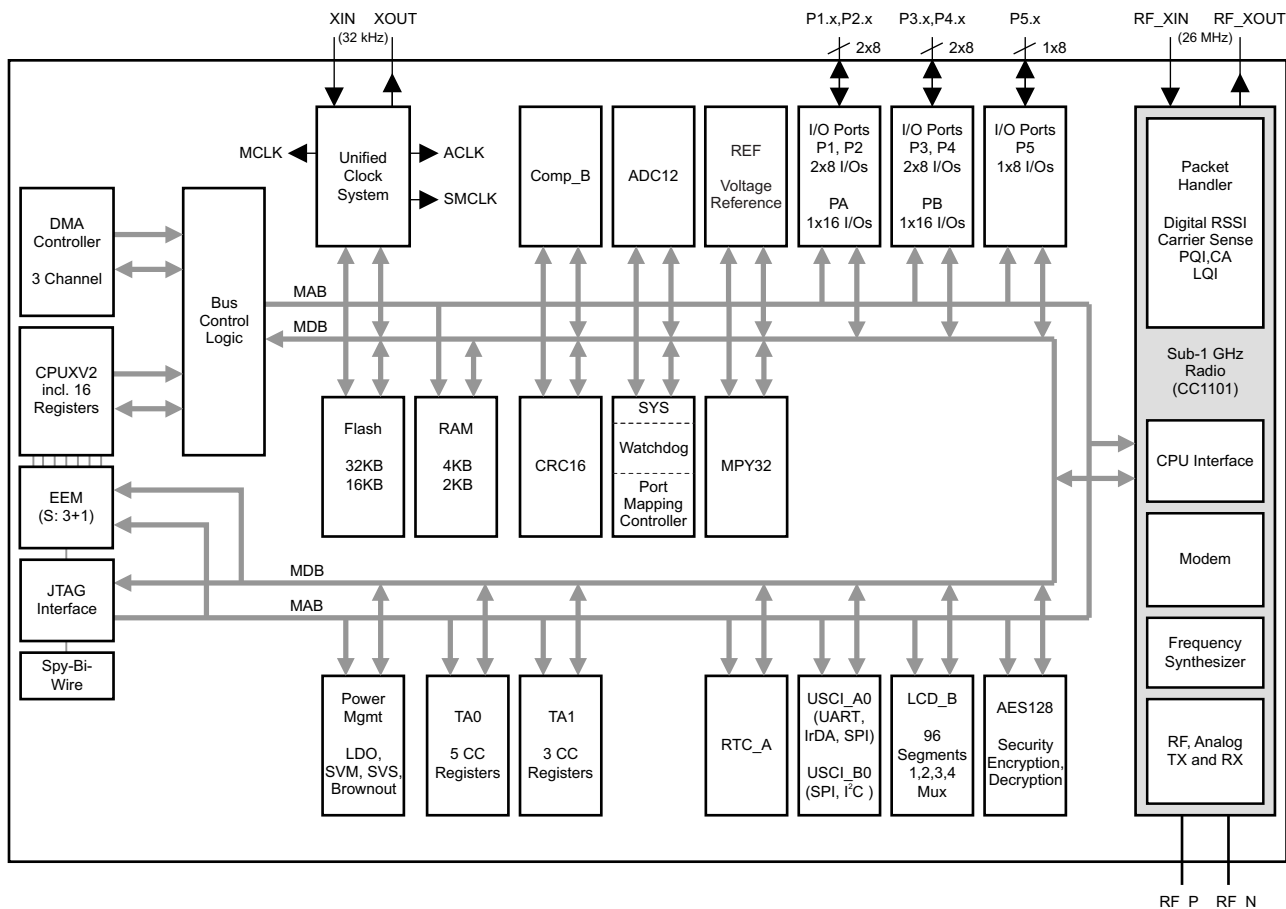
**Device Information<sup>(1)</sup>**

| PART NUMBER    | PACKAGE   | BODY SIZE <sup>(2)</sup> |
|----------------|-----------|--------------------------|
| CC430F6137IRGC | VQFN (64) | 9 mm × 9 mm              |
| CC430F5137IRGZ | VQFN (48) | 7 mm × 7 mm              |

- (1) For the most current part, package, and ordering information, see the *Package Option Addendum* in [Section 9](#), or see the TI website at [www.ti.com](http://www.ti.com).
- (2) The sizes shown here are approximations. For the package dimensions with tolerances, see the *Mechanical Data* in [Section 9](#).

### 1.4 Functional Block Diagrams

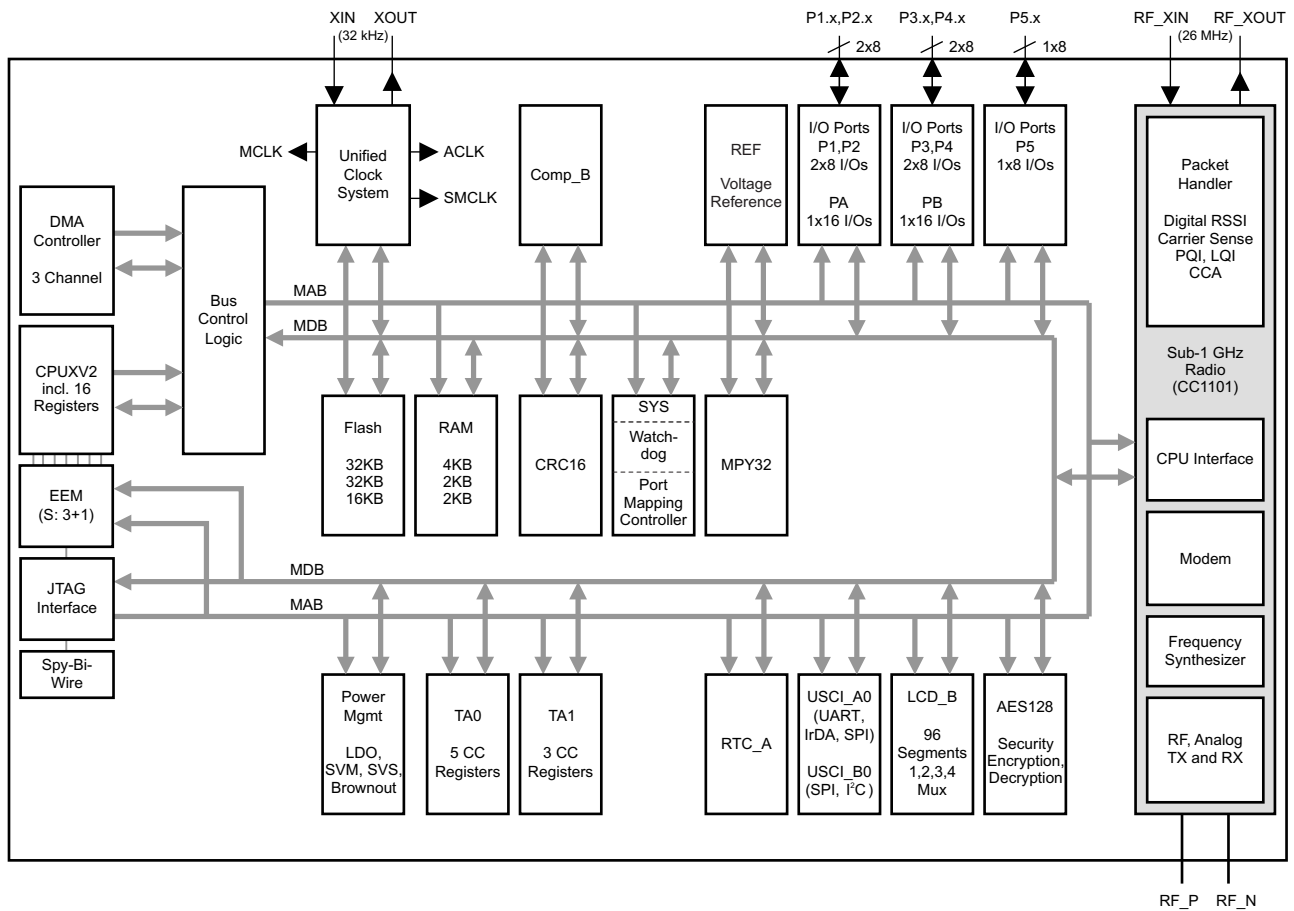
Figure 1-1 shows the CC430F613x functional block diagram.



Copyright © 2017, Texas Instruments Incorporated

Figure 1-1. CC430F613x Functional Block Diagram

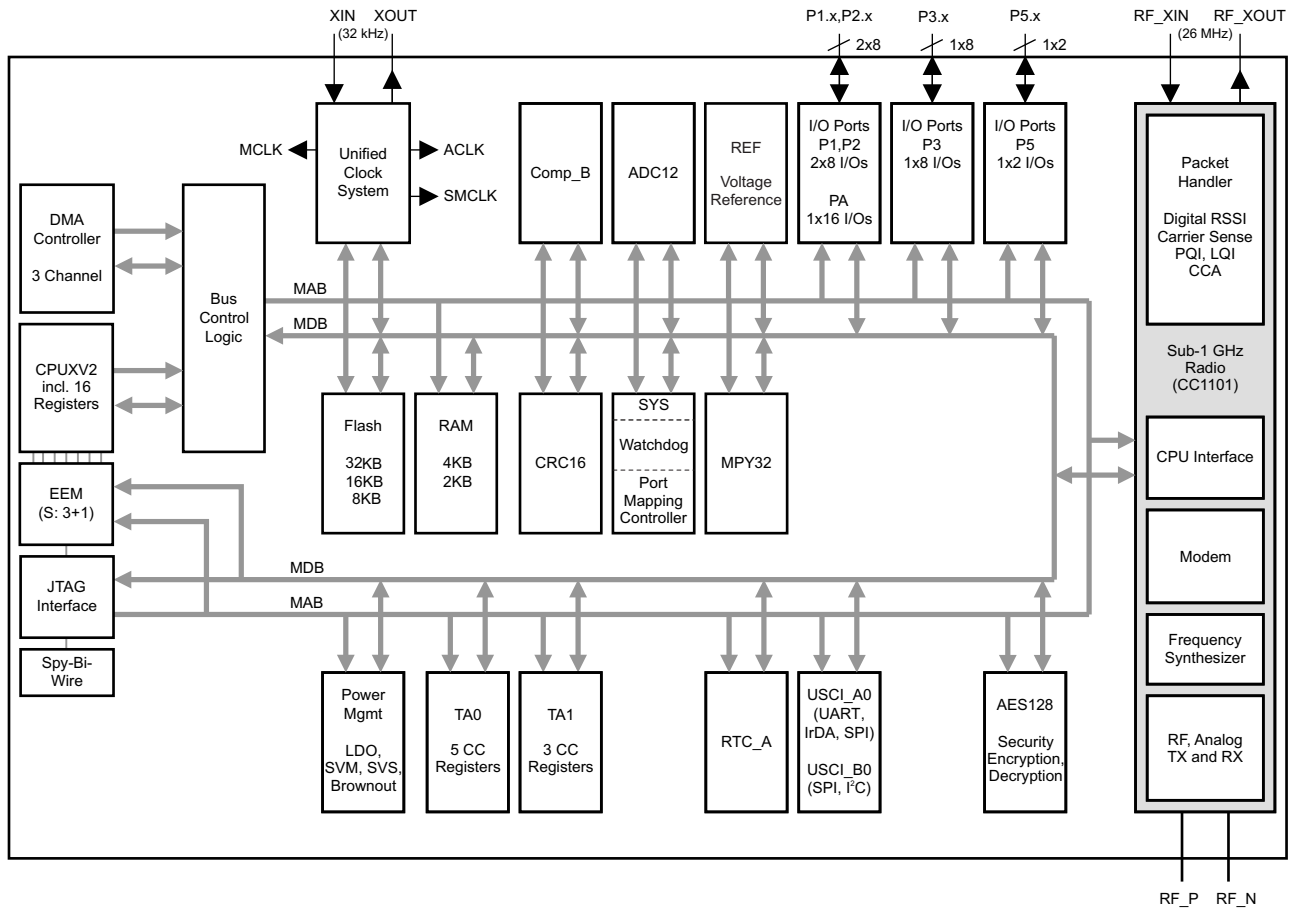
Figure 1-2 shows the CC430F612x functional block diagram.



Copyright © 2017, Texas Instruments Incorporated

**Figure 1-2. CC430F612x Functional Block Diagram**

Figure 1-3 shows the CC430F513x functional block diagram.



Copyright © 2017, Texas Instruments Incorporated

Figure 1-3. CC430F513x Functional Block Diagram

## 2 Revision History

NOTE: Page numbers for previous revisions may differ from page numbers in the current version.

| Changes from September 6, 2013 to September 17, 2018  | Page                |
|---|---------------------|
| • Document format and organization changes throughout, including addition of section numbering .....  | <a href="#">1</a>   |
| • Added <i>Device Information</i> table .....   | <a href="#">2</a>   |
| • Added <a href="#">Section 1.4</a> and moved all functional block diagrams to it.....  | <a href="#">3</a>   |
| • Added <a href="#">Section 3</a> , <i>Device Comparison</i> , and moved <a href="#">Table 3-1</a> to it.....   | <a href="#">7</a>   |
| • Added <a href="#">Section 3.1</a> , <i>Related Products</i> .....   | <a href="#">7</a>   |
| • Added <a href="#">Section 4</a> , <i>Terminal Configuration and Functions</i> , and moved all pinouts and terminal functions tables to it ...   | <a href="#">8</a>   |
| • Added typical conditions statements at the beginning of <a href="#">Section 5</a> , <i>Specifications</i> .....   | <a href="#">17</a>  |
| • Added <a href="#">Section 5</a> , <i>Specifications</i> , and moved all electrical and timing specifications to it .....  | <a href="#">17</a>  |
| • Added <a href="#">Section 5.2</a> , <i>ESD Ratings</i> .....  | <a href="#">17</a>  |
| • Changed the MIN value of the $V_{(DVCC\_BOR\_hys)}$ parameter from 60 mV to 50 mV in <a href="#">Section 5.19</a> , <i>PMM, Brownout Reset (BOR)</i> .....  | <a href="#">29</a>  |
| • Updated notes (1) and (2) and added note (3) in <a href="#">Section 5.25</a> , <i>Wake-up Times From Low-Power Modes and Reset</i> .....  | <a href="#">31</a>  |
| • Removed ADC12DIV from the formula for the TYP value in the second row of the $t_{CONVERT}$ parameter in <a href="#">Section 5.36</a> , <i>12-Bit ADC, Timing Parameters</i> (removed because ADC12CLK is after division).....                         | <a href="#">39</a>  |
| • For the $t_{EN\_CMP}$ parameter in <a href="#">Section 5.42</a> , <i>Comparator_B</i> : Removed "CBPWRMD = 10" from the Test Conditions in the first row; added second row with Test Conditions of "CBPWRMD = 10" and a MAX value of 100 $\mu$ s..... | <a href="#">44</a>  |
| • Changed the test conditions "RF crystal oscillator only" and added note in <a href="#">Section 5.48</a> , <i>Current Consumption, Reduced-Power Modes</i> .....   | <a href="#">46</a>  |
| • Corrected the link for <i>DN013 Programming Output Power on CC1101</i> .....  | <a href="#">56</a>  |
| • Changed all instances of "bootstrap loader" to "bootloader" throughout document.....  | <a href="#">65</a>  |
| • Corrected spelling of NMIFG in <a href="#">Table 6-8</a> , <i>System Module Interrupt Vector Registers</i> .....  | <a href="#">70</a>  |
| • Added <a href="#">Section 8</a> , <i>Device and Documentation Support</i> , and moved <i>Device Nomenclature</i> , <i>ESD Caution</i> , and <i>Trademarks</i> sections to it.....   | <a href="#">112</a> |
| • Added <a href="#">Section 9</a> , <i>Mechanical, Packaging, and Orderable Information</i> .....   | <a href="#">118</a> |

### 3 Device Comparison

Table 3-1 summarizes the available family members.

**Table 3-1. Device Comparison<sup>(1)(2)</sup>**

| DEVICE     | PROGRAM (KB) | SRAM (KB) | Timer_A <sup>(3)</sup> | LCD_B              | USCI                            |                                  | ADC12_A CHANNELS   | COMP_B CHANNELS | I/O | PACKAGE |
|------------|--------------|-----------|------------------------|--------------------|---------------------------------|----------------------------------|--------------------|-----------------|-----|---------|
|            |              |           |                        |                    | CHANNEL A: UART, LIN, IrDA, SPI | CHANNEL B: SPI, I <sup>2</sup> C |                    |                 |     |         |
| CC430F6137 | 32           | 4         | 5, 3                   | 96 seg             | 1                               | 1                                | 8 ext, 4 int       | 8               | 44  | 64 RGC  |
| CC430F6135 | 16           | 2         | 5, 3                   | 96 seg             | 1                               | 1                                | 8 ext, 4 int       | 8               | 44  | 64 RGC  |
| CC430F6127 | 32           | 4         | 5, 3                   | 96 seg             | 1                               | 1                                | N/A <sup>(4)</sup> | 8               | 44  | 64 RGC  |
| CC430F6126 | 32           | 2         | 5, 3                   | 96 seg             | 1                               | 1                                | N/A                | 8               | 44  | 64 RGC  |
| CC430F6125 | 16           | 2         | 5, 3                   | 96 seg             | 1                               | 1                                | N/A                | 8               | 44  | 64 RGC  |
| CC430F5137 | 32           | 4         | 5, 3                   | N/A <sup>(4)</sup> | 1                               | 1                                | 6 ext, 4 int       | 6               | 30  | 48 RGZ  |
| CC430F5135 | 16           | 2         | 5, 3                   | N/A                | 1                               | 1                                | 6 ext, 4 int       | 6               | 30  | 48 RGZ  |
| CC430F5133 | 8            | 2         | 5, 3                   | N/A                | 1                               | 1                                | 6 ext, 4 int       | 6               | 30  | 48 RGZ  |

(1) For the most current device, package, and ordering information, see the *Package Option Addendum* in [Section 9](#), or see the TI website at [www.ti.com](http://www.ti.com).

(2) Package drawings, thermal data, and symbolization are available at [www.ti.com/packaging](http://www.ti.com/packaging).

(3) Each number in the sequence represents an instantiation of Timer\_A with its associated number of capture/compare registers and PWM output generators available. For example, a number sequence of 5, 3 represents two instantiations of Timer\_A, the first instantiation having 5 capture/compare registers and PWM output generators, and the second instantiation having 3 capture/compare registers and PWM output generators, respectively.

(4) N/A = not available

#### 3.1 Related Products

For information about other devices in this family of products or related products, see the following links.

**Products for TI Microcontrollers** TI's low-power and high-performance MCUs, with wired and wireless connectivity options, are optimized for a broad range of applications.

**Products for MSP430 Ultra-Low-Power Microcontrollers** One platform. One ecosystem. Endless possibilities. Enabling the connected world with innovations in ultra-low-power microcontrollers with advanced peripherals for precise sensing and measurement.

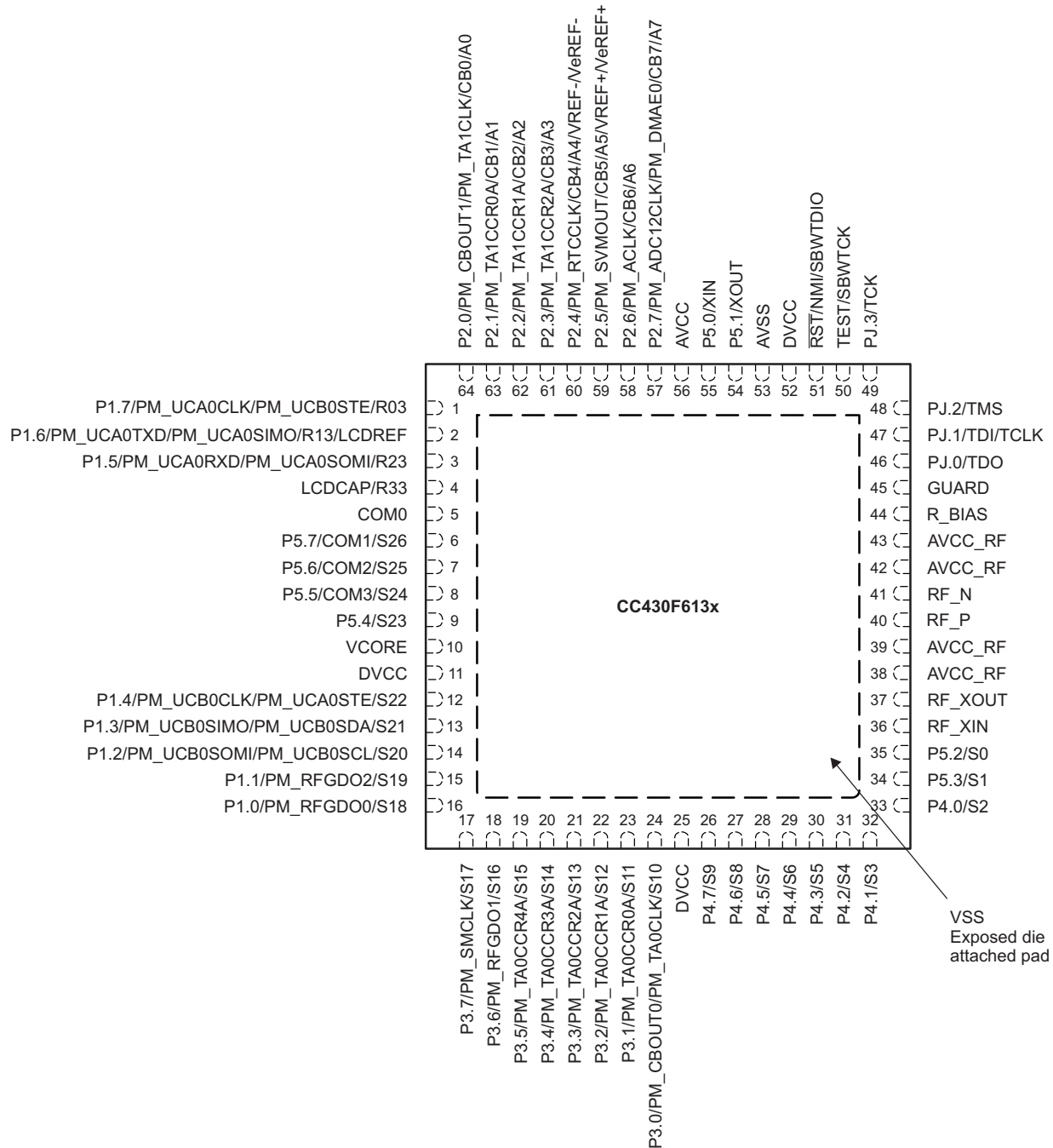
**Companion Products for CC430F6137** Review products that are frequently purchased or used in conjunction with this product.

**Reference Designs for CC430F6137** TI Designs Reference Design Library is a robust reference design library that spans analog, embedded processor, and connectivity. Created by TI experts to help you jump start your system design, all TI Designs include schematic or block diagrams, BOMs, and design files to speed your time to market. Search and download designs at [ti.com/tidesigns](http://ti.com/tidesigns).

## 4 Terminal Configuration and Functions

### 4.1 Pin Diagrams

Figure 4-1 shows the pinout for the CC430F613x devices in the 64-pin RGC package.



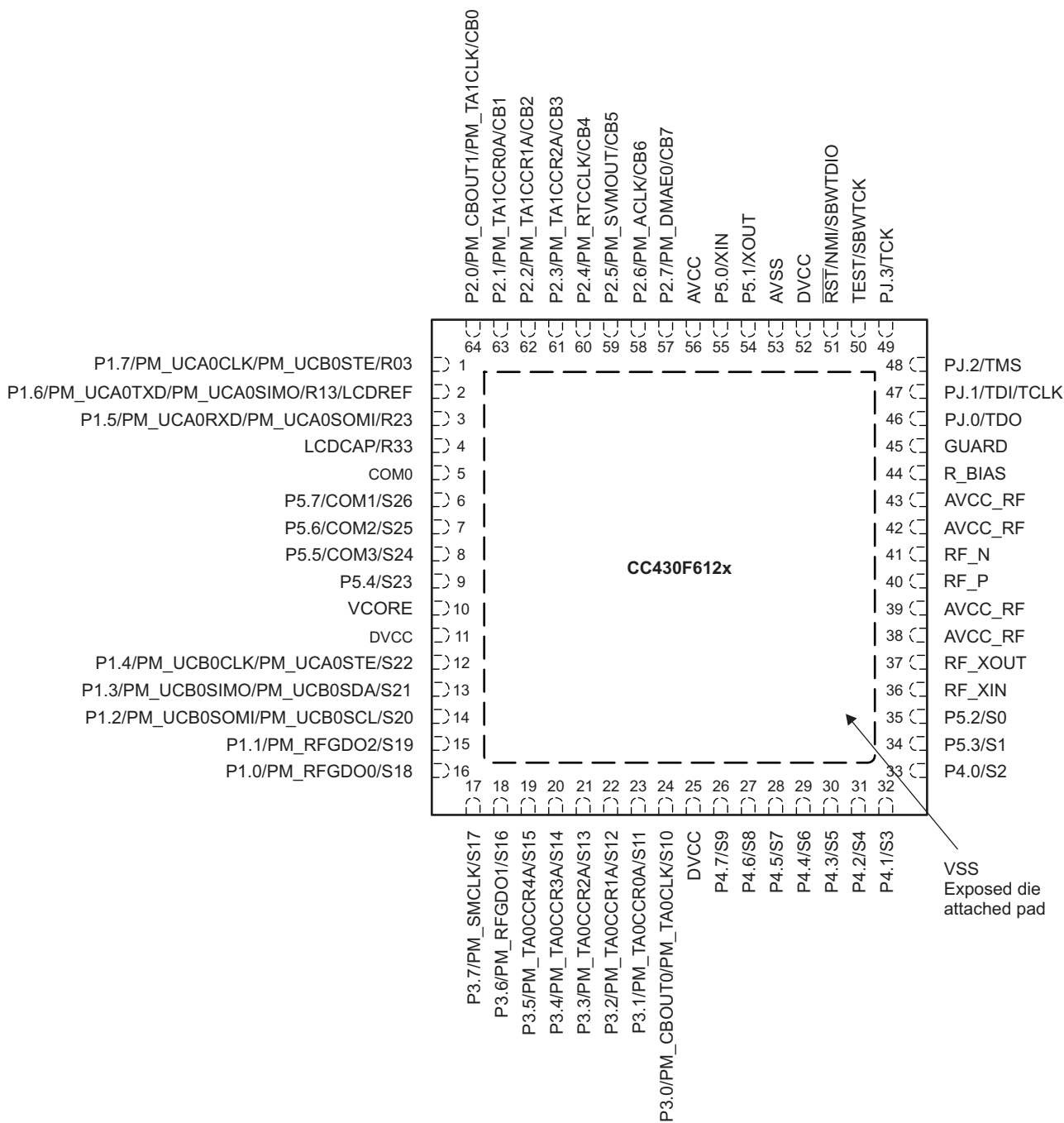
CAUTION: The LCDCAP/R33 must be connected to VSS if not used.

NOTE: The secondary digital functions on ports P1, P2, and P3 are fully mappable. This pinout shows only the default mapping. See Table 6-6 for details.

Figure 4-1. 64-Pin RGC Package (Top View), CC430F613x



Figure 4-2 shows the pinout for the CC430F612x devices in the 64-pin RGC package.

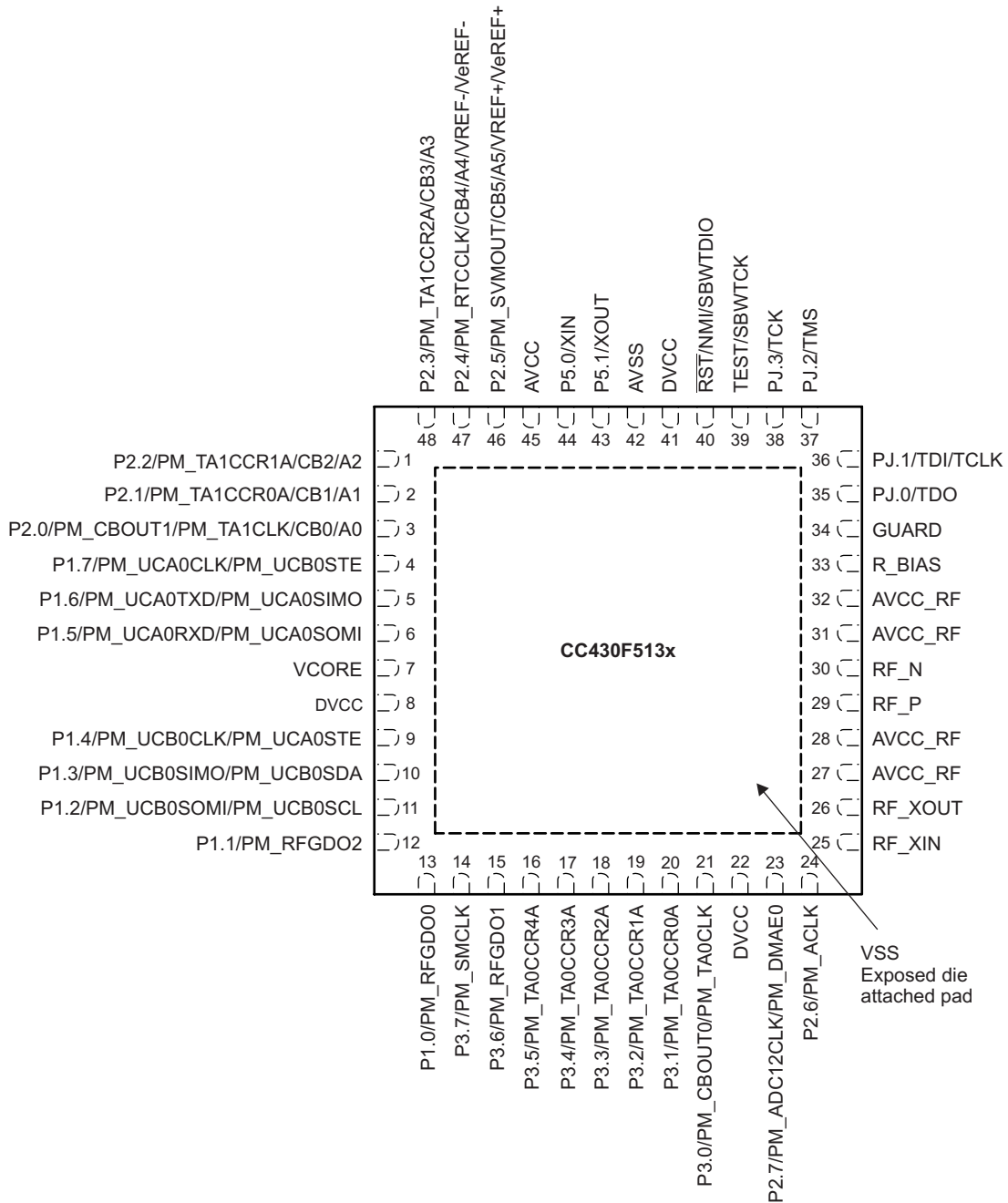


CAUTION: The LCDCAP/R33 must be connected to VSS if not used.

NOTE: The secondary digital functions on ports P1, P2, and P3 are fully mappable. This pinout shows only the default mapping. See Table 6-6 for details.

Figure 4-2. 64-Pin RGC Package (Top View), CC430F612x

Figure 4-3 shows the pinout for the CC430F513x devices in the 48-pin RGZ package.



NOTE: The secondary digital functions on ports P1, P2, and P3 are fully mappable. This pinout shows only the default mapping. See Table 6-6 for details.

**Figure 4-3. 48-Pin RGZ Package (Top View), CC430F513x**

## 4.2 Signal Descriptions

Table 4-1 describes the signals for the CC430F613x and CC430F612x devices. See Table 4-2 for the CC430F513x devices.

**Table 4-1. CC430F613x and CC430F612x Terminal Functions**

| TERMINAL                                     |     | I/O <sup>(1)</sup> | DESCRIPTION   |
|--|-----|--------------------|---|
| NAME   | NO. |                    |   |
| P1.7/ PM_UCA0CLK/<br>PM_UCB0STE/ R03         | 1   | I/O                | General-purpose digital I/O with port interrupt and mappable secondary function<br>Default mapping: USCI_A0 clock input/output; USCI_B0 SPI slave transmit enable<br>Input/output port of lowest analog LCD voltage (V5)  |
| P1.6/ PM_UCA0TXD/<br>PM_UCA0SIMO/ R13/LCDREF | 2   | I/O                | General-purpose digital I/O with port interrupt and mappable secondary function<br>Default mapping: USCI_A0 UART transmit data; USCI_A0 SPI slave in master out<br>Input/output port of third most positive analog LCD voltage (V3 or V4)<br>External reference voltage input for regulated LCD voltage |
| P1.5/ PM_UCA0RXD/<br>PM_UCA0SOMI/ R23        | 3   | I/O                | General-purpose digital I/O with port interrupt and mappable secondary function<br>Default mapping: USCI_A0 UART receive data; USCI_A0 SPI slave out master in<br>Input/output port of second most positive analog LCD voltage (V2)   |
| LDCAP/ R33                                   | 4   | I/O                | LCD capacitor connection<br>Input/output port of most positive analog LCD voltage (V1)<br><b>CAUTION:</b> Must be connected to VSS if not used.   |
| COM0   | 5   | O                  | LCD common output COM0 for LCD backplane  |
| P5.7/ COM1/ S26                              | 6   | I/O                | General-purpose digital I/O<br>LCD common output COM1 for LCD backplane<br>LCD segment output S26   |
| P5.6/ COM2/ S25                              | 7   | I/O                | General-purpose digital I/O<br>LCD common output COM2 for LCD backplane<br>LCD segment output S25   |
| P5.5/ COM3/ S24                              | 8   | I/O                | General-purpose digital I/O<br>LCD common output COM3 for LCD backplane<br>LCD segment output S24   |
| P5.4/ S23                                    | 9   | I/O                | General-purpose digital I/O<br>LCD segment output S23   |
| VCORE  | 10  |                    | Regulated core power supply   |
| DVCC   | 11  |                    | Digital power supply  |
| P1.4/ PM_UCB0CLK/<br>PM_UCA0STE/ S22         | 12  | I/O                | General-purpose digital I/O with port interrupt and mappable secondary function<br>Default mapping: USCI_B0 clock input/output<br>Default mapping: USCI_A0 SPI slave transmit enable<br>LCD segment output S22  |
| P1.3/ PM_UCB0SIMO/<br>PM_UCB0SDA/ S21        | 13  | I/O                | General-purpose digital I/O with port interrupt and mappable secondary function<br>Default mapping: USCI_B0 SPI slave in master out<br>Default mapping: USCI_B0 I <sup>2</sup> C data<br>LCD segment output S21   |
| P1.2/ PM_UCB0SOMI/<br>PM_UCB0SCL/ S20        | 14  | I/O                | General-purpose digital I/O with port interrupt and mappable secondary function<br>Default mapping: USCI_B0 SPI slave out master in<br>Default mapping: USCI_B0 I <sup>2</sup> C clock<br>LCD segment output S20  |
| P1.1/ PM_RFGDO2/ S19                         | 15  | I/O                | General-purpose digital I/O with port interrupt and mappable secondary function<br>Default mapping: Radio GDO2 output<br>LCD segment output S19   |
| P1.0/ PM_RFGDO0/ S18                         | 16  | I/O                | General-purpose digital I/O with port interrupt and mappable secondary function<br>Default mapping: Radio GDO0 output<br>LCD segment output S18   |
| P3.7/ PM_SMCLK/ S17                          | 17  | I/O                | General-purpose digital I/O with mappable secondary function<br>Default mapping: SMCLK output<br>LCD segment output S17   |
| P3.6/ PM_RFGDO1/ S16                         | 18  | I/O                | General-purpose digital I/O with mappable secondary function<br>Default mapping: Radio GDO1 output<br>LCD segment output S16  |

(1) I = input, O = output

**Table 4-1. CC430F613x and CC430F612x Terminal Functions (continued)**

| TERMINAL                          |     | I/O <sup>(1)</sup> | DESCRIPTION  |
|-----------------------------------|-----|--------------------|--|
| NAME                              | NO. |                    |  |
| P3.5/ PM_TA0CCR4A/ S15            | 19  | I/O                | General-purpose digital I/O with mappable secondary function<br>Default mapping: TA0 CCR4 compare output or capture input<br>LCD segment output S15                |
| P3.4/ PM_TA0CCR3A/ S14            | 20  | I/O                | General-purpose digital I/O with mappable secondary function<br>Default mapping: TA0 CCR3 compare output or capture input<br>LCD segment output S14                |
| P3.3/ PM_TA0CCR2A/ S13            | 21  | I/O                | General-purpose digital I/O with mappable secondary function<br>Default mapping: TA0 CCR2 compare output or capture input<br>LCD segment output S13                |
| P3.2/ PM_TA0CCR1A/ S12            | 22  | I/O                | General-purpose digital I/O with mappable secondary function<br>Default mapping: TA0 CCR1 compare output or capture input<br>LCD segment output S12                |
| P3.1/ PM_TA0CCR0A/ S11            | 23  | I/O                | General-purpose digital I/O with mappable secondary function<br>Default mapping: TA0 CCR0 compare output or capture input<br>LCD segment output S11                |
| P3.0/ PM_CBOU0/ PM_TA0CLK/<br>S10 | 24  | I/O                | General-purpose digital I/O with mappable secondary function<br>Default mapping: Comparator_B output<br>Default mapping: TA0 clock input<br>LCD segment output S10 |
| DVCC                              | 25  |                    | Digital power supply   |
| P4.7/ S9                          | 26  | I/O                | General-purpose digital I/O<br>LCD segment output S9   |
| P4.6/ S8                          | 27  | I/O                | General-purpose digital I/O<br>LCD segment output S8   |
| P4.5/ S7                          | 28  | I/O                | General-purpose digital I/O<br>LCD segment output S7   |
| P4.4/ S6                          | 29  | I/O                | General-purpose digital I/O<br>LCD segment output S6   |
| P4.3/ S5                          | 30  | I/O                | General-purpose digital I/O<br>LCD segment output S5   |
| P4.2/ S4                          | 31  | I/O                | General-purpose digital I/O<br>LCD segment output S4   |
| P4.1/ S3                          | 32  | I/O                | General-purpose digital I/O<br>LCD segment output S3   |
| P4.0/ S2                          | 33  | I/O                | General-purpose digital I/O<br>LCD segment output S2   |
| P5.3/ S1                          | 34  | I/O                | General-purpose digital I/O<br>LCD segment output S1   |
| P5.2/ S0                          | 35  | I/O                | General-purpose digital I/O<br>LCD segment output S0   |
| RF_XIN                            | 36  | I                  | Input terminal for RF crystal oscillator, or external clock input  |
| RF_XOUT                           | 37  | O                  | Output terminal for RF crystal oscillator  |
| AVCC_RF                           | 38  |                    | Radio analog power supply  |
| AVCC_RF                           | 39  |                    | Radio analog power supply  |
| RF_P                              | 40  | RF<br>I/O          | Positive RF input to LNA in receive mode<br>Positive RF output from PA in transmit mode  |
| RF_N                              | 41  | RF<br>I/O          | Negative RF input to LNA in receive mode<br>Negative RF output from PA in transmit mode  |
| AVCC_RF                           | 42  |                    | Radio analog power supply  |
| AVCC_RF                           | 43  |                    | Radio analog power supply  |
| RBIAS                             | 44  |                    | External bias resistor for radio reference current   |
| GUARD                             | 45  |                    | Power supply connection for digital noise isolation  |
| PJ.0/ TDO                         | 46  | I/O                | General-purpose digital I/O<br>Test data output port   |

**Table 4-1. CC430F613x and CC430F612x Terminal Functions (continued)**

| TERMINAL   |     | I/O <sup>(1)</sup> | DESCRIPTION   |
|--|-----|--------------------|---|
| NAME   | NO. |                    |   |
| PJ.1/ TDI/ TCLK                                    | 47  | I/O                | General-purpose digital I/O<br>Test data input or test clock input  |
| PJ.2/ TMS  | 48  | I/O                | General-purpose digital I/O<br>Test mode select   |
| PJ.3/ TCK  | 49  | I/O                | General-purpose digital I/O<br>Test clock   |
| TEST/ SBWTCK                                       | 50  | I                  | Test mode pin – select digital I/O on JTAG pins<br>Spy-Bi-Wire input clock  |
| $\overline{\text{RST}}/\text{NMI}/ \text{SBWTDIO}$ | 51  | I/O                | Reset input active low<br>Nonmaskable interrupt input<br>Spy-Bi-Wire data input/output  |
| DVCC   | 52  |                    | Digital power supply  |
| AVSS   | 53  |                    | Analog ground supply for ADC12  |
| P5.1/ XOUT   | 54  | I/O                | General-purpose digital I/O<br>Output terminal of crystal oscillator XT1  |
| P5.0/ XIN  | 55  | I/O                | General-purpose digital I/O<br>Input terminal for crystal oscillator XT1  |
| AVCC   | 56  |                    | Analog power supply   |
| P2.7/ PM_ADC12CLK/<br>PM_DMAE0/ CB7 (/A7)          | 57  | I/O                | General-purpose digital I/O with port interrupt and mappable secondary function<br>Default mapping: ADC12CLK output<br>Default mapping: DMA external trigger input<br>Comparator_B input CB7<br>Analog input A7 – 12-bit ADC (CC430F613x only)  |
| P2.6/ PM_ACLK/ CB6 (/A6)                           | 58  | I/O                | General-purpose digital I/O with port interrupt and mappable secondary function<br>Default mapping: ACLK output<br>Comparator_B input CB6<br>Analog input A6 – 12-bit ADC (CC430F613x only)   |
| P2.5/ PM_SVMOUT/ CB5<br>(/A5/ VREF+/ VeREF+)       | 59  | I/O                | General-purpose digital I/O with port interrupt and mappable secondary function<br>Default mapping: SVM output<br>Comparator_B input CB5<br>Analog input A5 – 12-bit ADC (CC430F613x only)<br>Output of reference voltage to the ADC (CC430F613x only)<br>Input for an external reference voltage to the ADC (CC430F613x only)                                |
| P2.4/ PM_RTCCLK/ CB4<br>(/A4/ VREF-/ VeREF-)       | 60  | I/O                | General-purpose digital I/O with port interrupt and mappable secondary function<br>Default mapping: RTCCLK output<br>Comparator_B input CB4<br>Analog input A4 – 12-bit ADC (CC430F613x only)<br>Negative terminal for the ADC reference voltage for both sources, the internal reference voltage, or an external applied reference voltage (CC430F613x only) |
| P2.3/ PM_TA1CCR2A/ CB3 (/A3)                       | 61  | I/O                | General-purpose digital I/O with port interrupt and mappable secondary function<br>Default mapping: TA1 CCR2 compare output or capture input<br>Comparator_B input CB3<br>Analog input A3 – 12-bit ADC (CC430F613x only)  |
| P2.2/ PM_TA1CCR1A/ CB2 (/A2)                       | 62  | I/O                | General-purpose digital I/O with port interrupt and mappable secondary function<br>Default mapping: TA1 CCR1 compare output or capture input<br>Comparator_B input CB2<br>Analog input A2 – 12-bit ADC (CC430F613x only)  |
| P2.1/ PM_TA1CCR0A/ CB1 (/A1)                       | 63  | I/O                | General-purpose digital I/O with port interrupt and mappable secondary function<br>Default mapping: TA1 CCR0 compare output or capture input<br>Comparator_B input CB1<br>Analog input A1 – 12-bit ADC (CC430F613x only)  |
| P2.0/ PM_CBOU1/ PM_TA1CLK/<br>CB0 (/A0)            | 64  | I/O                | General-purpose digital I/O with port interrupt and mappable secondary function<br>Default mapping: Comparator_B output<br>Default mapping: TA1 clock input<br>Comparator_B input CB0<br>Analog input A0 – 12-bit ADC (CC430F613x only)   |
| VSS, Exposed die attach pad                        |     |                    | Ground supply<br><b>CAUTION:</b> The exposed die attach pad must be connected to a solid ground plane as this is the ground connection for the chip.  |

Table 4-2 describes the signals for the CC430F513x devices. See Table 4-1 for the CC430F613x and CC430F612x devices.

**Table 4-2. CC430F513x Terminal Functions**

| TERMINAL                               |     | I/O <sup>(1)</sup> | DESCRIPTION   |
|--|-----|--------------------|---|
| NAME                                   | NO. |                    |   |
| P2.2/ PM_TA1CCR1A/ CB2/ A2             | 1   | I/O                | General-purpose digital I/O with port interrupt and mappable secondary function<br>Default mapping: TA1 CCR1 compare output or capture input<br>Comparator_B input CB2<br>Analog input A2 – 12-bit ADC                |
| P2.1/ PM_TA1CCR0A/ CB1/ A1             | 2   | I/O                | General-purpose digital I/O with port interrupt and mappable secondary function<br>Default mapping: TA1 CCR0 compare output or capture input<br>Comparator_B input CB1<br>Analog input A1 – 12-bit ADC                |
| P2.0/ PM_CBOUT1/ PM_TA1CLK/<br>CB0/ A0 | 3   | I/O                | General-purpose digital I/O with port interrupt and mappable secondary function<br>Default mapping: Comparator_B output<br>Default mapping: TA1 clock input<br>Comparator_B input CB0<br>Analog input A0 – 12-bit ADC |
| P1.7/ PM_UCA0CLK/<br>PM_UCB0STE        | 4   | I/O                | General-purpose digital I/O with port interrupt and mappable secondary function<br>Default mapping: USCI_A0 clock input/output<br>Default mapping: USCI_B0 SPI slave transmit enable                                  |
| P1.6/ PM_UCA0TXD/<br>PM_UCA0SIMO       | 5   | I/O                | General-purpose digital I/O with port interrupt and mappable secondary function<br>Default mapping: USCI_A0 UART transmit data; USCI_A0 SPI slave in master out   |
| P1.5/ PM_UCA0RXD/<br>PM_UCA0SOMI       | 6   | I/O                | General-purpose digital I/O with port interrupt and mappable secondary function<br>Default mapping: USCI_A0 UART receive data<br>Default mapping: USCI_A0 SPI slave out master in                                     |
| VCORE                                  | 7   |                    | Regulated core power supply   |
| DVCC                                   | 8   |                    | Digital power supply  |
| P1.4/ PM_UCB0CLK/<br>PM_UCA0STE        | 9   | I/O                | General-purpose digital I/O with port interrupt and mappable secondary function<br>Default mapping: USCI_B0 clock input/output<br>Default mapping: USCI_A0 SPI slave transmit enable                                  |
| P1.3/ PM_UCB0SIMO/<br>PM_UCB0SDA       | 10  | I/O                | General-purpose digital I/O with port interrupt and mappable secondary function<br>Default mapping: USCI_B0 SPI slave in master out<br>Default mapping: USCI_B0 I <sup>2</sup> C data                                 |
| P1.2/ PM_UCB0SOMI/<br>PM_UCB0SCL       | 11  | I/O                | General-purpose digital I/O with port interrupt and mappable secondary function<br>Default mapping: USCI_B0 SPI slave out master in<br>Default mapping: USCI_B0 I <sup>2</sup> C clock                                |
| P1.1/ PM_RFGDO2                        | 12  | I/O                | General-purpose digital I/O with port interrupt and mappable secondary function<br>Default mapping: Radio GDO2 output   |
| P1.0/ PM_RFGDO0                        | 13  | I/O                | General-purpose digital I/O with port interrupt and mappable secondary function<br>Default mapping: Radio GDO0 output   |
| P3.7/ PM_SMCLK                         | 14  | I/O                | General-purpose digital I/O with mappable secondary function<br>Default mapping: SMCLK output   |
| P3.6/ PM_RFGDO1                        | 15  | I/O                | General-purpose digital I/O with mappable secondary function<br>Default mapping: Radio GDO1 output  |
| P3.5/ PM_TA0CCR4A                      | 16  | I/O                | General-purpose digital I/O with mappable secondary function<br>Default mapping: TA0 CCR4 compare output or capture input   |
| P3.4/ PM_TA0CCR3A                      | 17  | I/O                | General-purpose digital I/O with mappable secondary function<br>Default mapping: TA0 CCR3 compare output or capture input   |
| P3.3/ PM_TA0CCR2A                      | 18  | I/O                | General-purpose digital I/O with mappable secondary function<br>Default mapping: TA0 CCR2 compare output or capture input   |
| P3.2/ PM_TA0CCR1A                      | 19  | I/O                | General-purpose digital I/O with mappable secondary function<br>Default mapping: TA0 CCR1 compare output or capture input   |
| P3.1/ PM_TA0CCR0A                      | 20  | I/O                | General-purpose digital I/O with mappable secondary function<br>Default mapping: TA0 CCR0 compare output or capture input   |
| P3.0/ PM_CBOUT0/ PM_TA0CLK             | 21  | I/O                | General-purpose digital I/O with mappable secondary function<br>Default mapping: Comparator_B output<br>Default mapping: TA0 clock input  |

(1) I = input, O = output

**Table 4-2. CC430F513x Terminal Functions (continued)**

| TERMINAL   |     | I/O <sup>(1)</sup> | DESCRIPTION   |
|--|-----|--------------------|---|
| NAME   | NO. |                    |   |
| DVCC   | 22  |                    | Digital power supply  |
| P2.7/ PM_ADC12CLK/<br>PM_DMAE0                     | 23  | I/O                | General-purpose digital I/O with port interrupt and mappable secondary function<br>Default mapping: ADC12CLK output<br>Default mapping: DMA external trigger input  |
| P2.6/ PM_ACLK                                      | 24  | I/O                | General-purpose digital I/O with port interrupt and mappable secondary function<br>Default mapping: ACLK output   |
| RF_XIN   | 25  | I                  | Input terminal for RF crystal oscillator, or external clock input   |
| RF_XOUT  | 26  | O                  | Output terminal for RF crystal oscillator   |
| AVCC_RF  | 27  |                    | Radio analog power supply   |
| AVCC_RF  | 28  |                    | Radio analog power supply   |
| RF_P   | 29  | RF<br>I/O          | Positive RF input to LNA in receive mode<br>Positive RF output from PA in transmit mode   |
| RF_N   | 30  | RF<br>I/O          | Negative RF input to LNA in receive mode<br>Negative RF output from PA in transmit mode   |
| AVCC_RF  | 31  |                    | Radio analog power supply   |
| AVCC_RF  | 32  |                    | Radio analog power supply   |
| RBIAS  | 33  |                    | External bias resistor for radio reference current  |
| GUARD  | 34  |                    | Power supply connection for digital noise isolation   |
| PJ.0/ TDO  | 35  | I/O                | General-purpose digital I/O<br>Test data output port  |
| PJ.1/ TDI/ TCLK                                    | 36  | I/O                | General-purpose digital I/O<br>Test data input or test clock input  |
| PJ.2/ TMS  | 37  | I/O                | General-purpose digital I/O<br>Test mode select   |
| PJ.3/ TCK  | 38  | I/O                | General-purpose digital I/O<br>Test clock   |
| TEST/ SBWTCK                                       | 39  | I                  | Test mode pin – select digital I/O on JTAG pins<br>Spy-Bi-Wire input clock  |
| $\overline{\text{RST}}/\text{NMI}/ \text{SBWTDIO}$ | 40  | I/O                | Reset input active low<br>Nonmaskable interrupt input<br>Spy-Bi-Wire data input/output  |
| DVCC   | 41  |                    | Digital power supply  |
| AVSS   | 42  |                    | Analog ground supply for ADC12  |
| P5.1/ XOUT   | 43  | I/O                | General-purpose digital I/O<br>Output terminal of crystal oscillator XT1  |
| P5.0/ XIN  | 44  | I/O                | General-purpose digital I/O<br>Input terminal for crystal oscillator XT1  |
| AVCC   | 45  |                    | Analog power supply   |
| P2.5/ PM_SVMOUT/ CB5/<br>A5/ VREF+/ VeREF+         | 46  | I/O                | General-purpose digital I/O with port interrupt and mappable secondary function<br>Default mapping: SVM output<br>Comparator_B input CB5<br>Analog input A5 – 12-bit ADC<br>Output of reference voltage to the ADC<br>Input for an external reference voltage to the ADC  |
| P2.4/ PM_RTCCLK/ CB4/<br>A4/ VREF-/ VeREF-         | 47  | I/O                | General-purpose digital I/O with port interrupt and mappable secondary function<br>Default mapping: RTCCLK output<br>Comparator_B input CB4<br>Analog input A4 – 12-bit ADC<br>Negative terminal for the ADC reference voltage for both sources, the internal reference voltage, or an external applied reference voltage |
| P2.3/ PM_TA1CCR2A/ CB3/ A3                         | 48  | I/O                | General-purpose digital I/O with port interrupt and mappable secondary function<br>Default mapping: TA1 CCR2 compare output or capture input<br>Comparator_B input CB3<br>Analog input A3 – 12-bit ADC  |

**Table 4-2. CC430F513x Terminal Functions (continued)**

| TERMINAL                    |     | I/O <sup>(1)</sup> | DESCRIPTION   |
|-----------------------------|-----|--------------------|---|
| NAME                        | NO. |                    |   |
| VSS, Exposed die attach pad |     |                    | Ground supply<br><b>The exposed die attach pad must be connected to a solid ground plane as this is the ground connection for the chip.</b> |



## 5 Specifications

All graphs in this section are for typical conditions, unless otherwise noted.

Typical (TYP) values are specified at  $V_{CC} = 3.3\text{ V}$  and  $T_A = 25^\circ\text{C}$ , unless otherwise noted.

### 5.1 Absolute Maximum Ratings<sup>(1)</sup>

over operating free-air temperature range (unless otherwise noted)

|  | MIN  | MAX                               | UNIT |
|--|------|-----------------------------------|------|
| Voltage applied at DVCC and AVCC pins to $V_{SS}$  | -0.3 | 4.1                               | V    |
| Voltage applied to any pin (excluding V <sub>CORE</sub> , RF_P, RF_N, and R_BIAS) <sup>(2)</sup> | -0.3 | $V_{CC} + 0.3$<br>(4.1 V Maximum) | V    |
| Voltage applied to V <sub>CORE</sub> , RF_P, RF_N, and R_BIAS <sup>(2)</sup>                     | -0.3 | 2.0                               | V    |
| Input RF level at pins RF_P and RF_N   |      | 10                                | dBm  |
| Diode current at any device terminal   |      | ±2                                | mA   |
| Storage temperature, $T_{stg}$ <sup>(3)</sup>  | -55  | 150                               | °C   |
| Maximum junction temperature, $T_J$  |      | 95                                | °C   |

- (1) Stresses beyond those listed under *Absolute Maximum Ratings* may cause permanent damage to the device. These are stress ratings only, and functional operation of the device at these or any other conditions beyond those indicated under *Recommended Operating Conditions* is not implied. Exposure to absolute-maximum-rated conditions for extended periods may affect device reliability.
- (2) All voltages referenced to  $V_{SS}$ .
- (3) Higher temperature may be applied during board soldering according to the current JEDEC J-STD-020 specification with peak reflow temperatures not higher than classified on the device label on the shipping boxes or reels.

### 5.2 ESD Ratings

|                                     | VALUE  | UNIT  |
|-------------------------------------|--|-------|
| $V_{(ESD)}$ Electrostatic discharge | Human-body model (HBM), per ANSI/ESDA/JEDEC JS-001 <sup>(1)</sup>              | ±1000 |
|                                     | Charged-device model (CDM), per JEDEC specification JESD22-C101 <sup>(2)</sup> | ±250  |

- (1) JEDEC document JEP155 states that 500-V HBM allows safe manufacturing with a standard ESD control process. Pins listed as ±1000 V may actually have higher performance.
- (2) JEDEC document JEP157 states that 250-V CDM allows safe manufacturing with a standard ESD control process. Pins listed as ±250 V may actually have higher performance.

### 5.3 Recommended Operating Conditions

|          | MIN  | NOM  | MAX | UNIT |    |    |
|----------|--|--|-----|------|----|----|
| $V_{CC}$ | Supply voltage range applied at all DVCC and AVCC pins <sup>(1)</sup> during program execution and flash programming with PMM default settings, Radio is not operational with PMMCOREVx = 0 or 1 <sup>(2)(3)</sup> | PMMCOREVx = 0<br>(default after POR)                       | 1.8 | 3.6  | V  |    |
|          |  | PMMCOREVx = 1  | 2.0 | 3.6  |    |    |
|          |  | PMMCOREVx = 2  | 2.2 | 3.6  |    |    |
|          |  | PMMCOREVx = 3  | 2.4 | 3.6  |    |    |
|          | Supply voltage range applied at all DVCC and AVCC pins <sup>(1)</sup> during program execution, flash programming and radio operation with PMM default settings <sup>(2)(3)</sup>                                  | PMMCOREVx = 2,<br>SVSHRVLx = SVSHRRRLx = 1<br>or SVSHE = 0 | 2.0 | 3.6  |    |    |
| $V_{SS}$ | Supply voltage applied at the exposed die attach VSS and AVSS pin  |  |     | 0    | V  |    |
| $T_A$    | Operating free-air temperature   |  |     | -40  | 85 | °C |

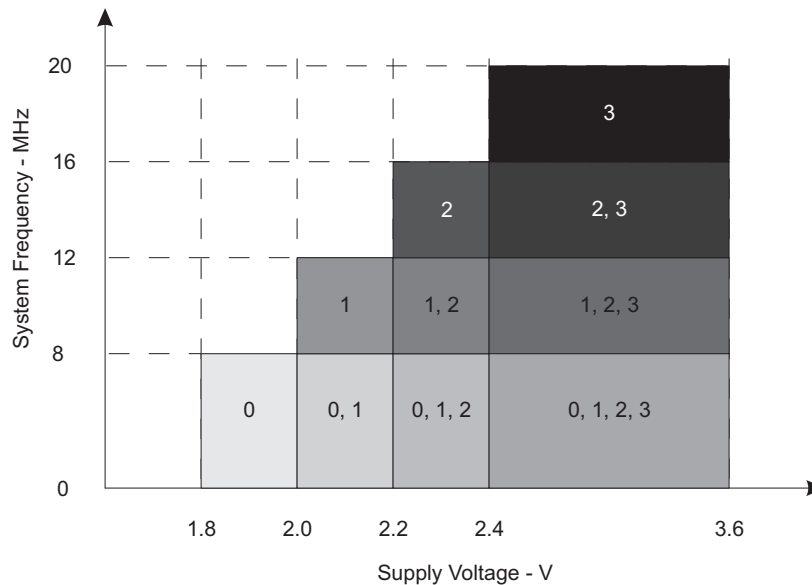
- (1) TI recommends powering AVCC and DVCC from the same source. A maximum difference of 0.3 V between AVCC and DVCC can be tolerated during power up and operation.
- (2) Modules may have a different supply voltage range specification. See the specification of the respective module in this data sheet.
- (3) The minimum supply voltage is defined by the supervisor SVS levels when it is enabled. See the [Section 5.21](#) threshold parameters for the exact values and further details.
- (4) Lowering the high-side SVS level or disabling the high-side SVS might cause the LDO to operate out of regulation, but the core voltage will still stay within its limits and is still supervised by the low-side SVS, ensuring reliable operation.

**Recommended Operating Conditions (continued)**

|   |  | MIN  | NOM   | MAX | UNIT |
|---|--|--|---|-----|------|
| T <sub>J</sub>                            | Operating junction temperature   | -40  |   | 85  | °C   |
| C <sub>VCORE</sub>                        | Recommended capacitor at V <sub>CORE</sub> <sup>(5)</sup>                                |  | 470   |     | nF   |
| C <sub>DVCC</sub> /<br>C <sub>VCORE</sub> | Capacitor ratio of capacitor at DVCC to capacitor at V <sub>CORE</sub>                   | 10   |   |     |      |
| f <sub>SYSTEM</sub>                       | Processor (MCLK) frequency <sup>(6)</sup> (see <a href="#">Figure 5-1</a> )              | PMMCOREV <sub>x</sub> = 0<br>(default condition) | 0   | 8   | MHz  |
|   |  | PMMCOREV <sub>x</sub> = 1                        | 0   | 12  |      |
|   |  | PMMCOREV <sub>x</sub> = 2                        | 0   | 16  |      |
|   |  | PMMCOREV <sub>x</sub> = 3                        | 0   | 20  |      |
| P <sub>INT</sub>                          | Internal power dissipation   |  | V <sub>CC</sub> × I <sub>DVCC</sub>   |     | W    |
| P <sub>IO</sub>                           | I/O power dissipation of I/O pins powered by DVCC  |  | (V <sub>CC</sub> - V <sub>IOH</sub> ) ×<br>I <sub>IOH</sub> + V <sub>IOL</sub> × I <sub>IOL</sub> |     | W    |
| P <sub>MAX</sub>                          | Maximum allowed power dissipation, P <sub>MAX</sub> > P <sub>IO</sub> + P <sub>INT</sub> |  | (T <sub>J</sub> - T <sub>A</sub> ) / θ <sub>JA</sub>  |     | W    |

(5) A capacitor tolerance of ±20% or better is required.

(6) Modules may have a different maximum input clock specification. See the specification of the respective module in this data sheet.



NOTE: The numbers within the fields are the supported PMMCOREV<sub>x</sub> settings.

**Figure 5-1. Maximum System Frequency**

### 5.4 Active Mode Supply Current Into V<sub>CC</sub> Excluding External Current

over recommended operating free-air temperature (unless otherwise noted)<sup>(1)</sup> <sup>(2)</sup> <sup>(3)</sup>

| PARAMETER                             | EXECUTION MEMORY | V <sub>CC</sub> | PMMVCOREx | FREQUENCY (f <sub>DCO</sub> = f <sub>MCLK</sub> = f <sub>SMCLK</sub> ) |      |       |      |        |      |        |      |        |      | UNIT |
|---------------------------------------|------------------|-----------------|-----------|--|------|-------|------|--------|------|--------|------|--------|------|------|
|                                       |                  |                 |           | 1 MHz  |      | 8 MHz |      | 12 MHz |      | 16 MHz |      | 20 MHz |      |      |
|                                       |                  |                 |           | TYP  | MAX  | TYP   | MAX  | TYP    | MAX  | TYP    | MAX  | TYP    | MAX  |      |
| I <sub>AM, Flash</sub> <sup>(4)</sup> | Flash            | 3 V             | 0         | 0.23   | 0.26 | 1.35  | 1.60 |        |      |        |      |        |      | mA   |
|                                       |                  |                 | 1         | 0.25   | 0.28 | 1.55  |      | 2.30   | 2.65 |        |      |        |      |      |
|                                       |                  |                 | 2         | 0.27   | 0.30 | 1.75  |      | 2.60   |      | 3.45   | 3.90 |        |      |      |
|                                       |                  |                 | 3         | 0.28   | 0.32 | 1.85  |      | 2.75   |      | 3.65   |      | 4.55   | 5.10 |      |
| I <sub>AM, RAM</sub> <sup>(5)</sup>   | RAM              | 3 V             | 0         | 0.18   | 0.20 | 0.95  | 1.10 |        |      |        |      |        | mA   |      |
|                                       |                  |                 | 1         | 0.20   | 0.22 | 1.10  |      | 1.60   | 1.85 |        |      |        |      |      |
|                                       |                  |                 | 2         | 0.21   | 0.24 | 1.20  |      | 1.80   |      | 2.40   | 2.70 |        |      |      |
|                                       |                  |                 | 3         | 0.22   | 0.25 | 1.30  |      | 1.90   |      | 2.50   |      | 3.10   |      | 3.60 |

- (1) All inputs are tied to 0 V or to V<sub>CC</sub>. Outputs do not source or sink any current.
- (2) The currents are characterized with a Micro Crystal MS1V-T1K crystal with a load capacitance of 12.5 pF. The internal and external load capacitance are chosen to closely match the required 12.5 pF.
- (3) Characterized with program executing typical data processing.  
f<sub>ACLK</sub> = 32786 Hz, f<sub>DCO</sub> = f<sub>MCLK</sub> = f<sub>SMCLK</sub> at specified frequency.  
XTS = CPUOFF = SCG0 = SCG1 = OSCOFF = SMCLKOFF = 0.
- (4) Active mode supply current when program executes in flash at a nominal supply voltage of 3 V.
- (5) Active mode supply current when program executes in RAM at a nominal supply voltage of 3 V.

### 5.5 Typical Characteristics – Active Mode Supply Currents

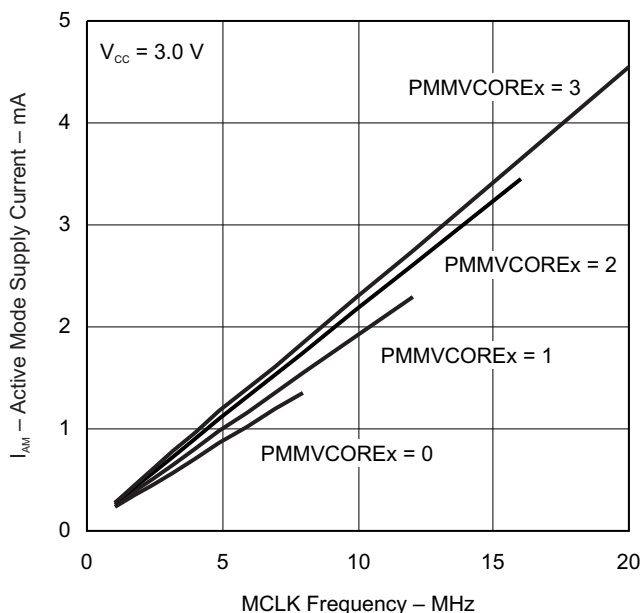


Figure 5-2. Active Mode Supply Current vs MCLK Frequency

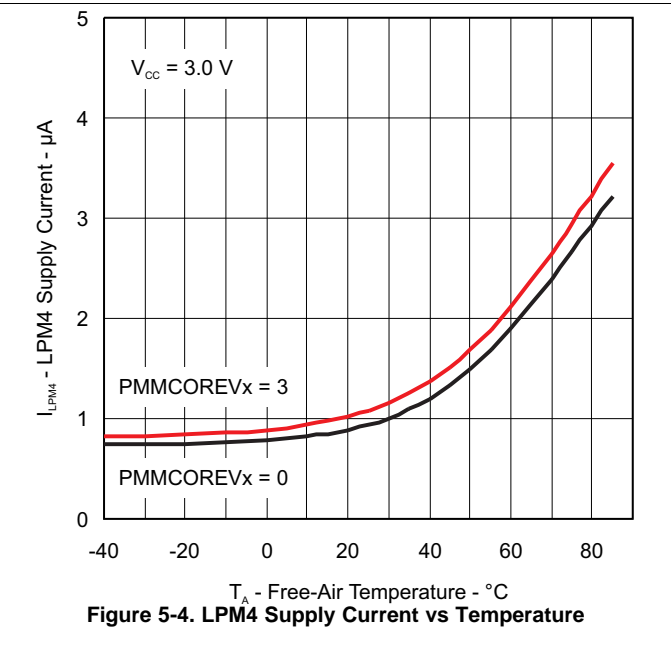
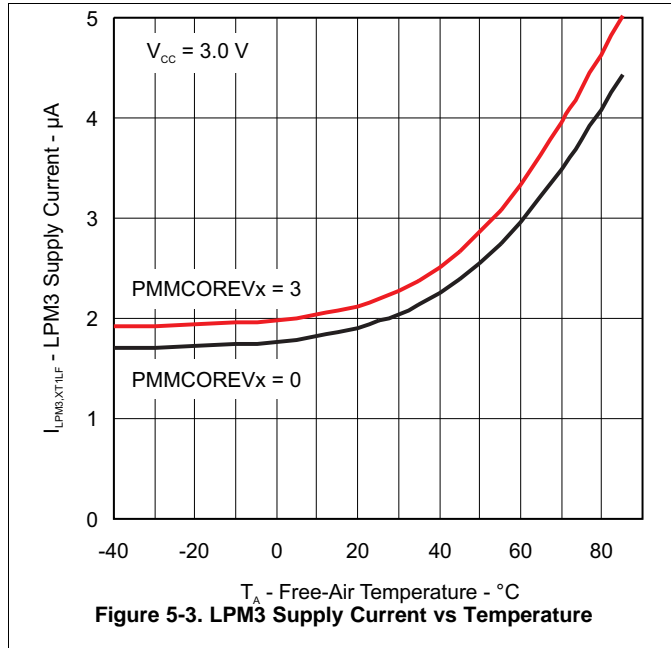
## 5.6 Low-Power Mode Supply Currents (Into $V_{CC}$ ) Excluding External Current

over recommended ranges of supply voltage and operating free-air temperature (unless otherwise noted)<sup>(1) (2)</sup>

| PARAMETER  | $V_{CC}$ | PMMCOREVx | TEMPERATURE ( $T_A$ ) |     |      |     |      |     |      |     | UNIT    |
|--|----------|-----------|-----------------------|-----|------|-----|------|-----|------|-----|---------|
|  |          |           | -40°C                 |     | 25°C |     | 60°C |     | 85°C |     |         |
|  |          |           | TYP                   | MAX | TYP  | MAX | TYP  | MAX | TYP  | MAX |         |
| $I_{LPM0,1MHz}$ Low-power mode 0 <sup>(3) (4)</sup>                | 2.2 V    | 0         | 80                    | 100 | 80   | 100 | 80   | 100 | 80   | 100 | $\mu A$ |
|  | 3 V      | 3         | 90                    | 110 | 90   | 110 | 90   | 110 | 90   | 110 |         |
| $I_{LPM2}$ Low-power mode 2 <sup>(5) (4)</sup>                     | 2.2 V    | 0         | 6.5                   | 11  | 6.5  | 11  | 6.5  | 11  | 6.5  | 11  | $\mu A$ |
|  | 3 V      | 3         | 7.5                   | 12  | 7.5  | 12  | 7.5  | 12  | 7.5  | 12  |         |
| $I_{LPM3,XT1LF}$ Low-power mode 3, crystal mode <sup>(6) (4)</sup> | 3 V      | 0         | 1.8                   |     | 2.0  | 2.6 | 3.0  | 4.0 | 4.4  | 5.9 | $\mu A$ |
|  |          | 1         | 1.9                   |     | 2.1  |     | 3.2  |     | 4.8  |     |         |
|  |          | 2         | 2.0                   |     | 2.2  |     | 3.4  |     | 5.1  |     |         |
|  |          | 3         | 2.0                   | 2.2 | 2.9  | 3.5 | 4.8  | 5.3 | 7.4  |     |         |
| $I_{LPM3,VLO}$ Low-power mode 3, VLO mode <sup>(7) (4)</sup>       | 3 V      | 0         | 0.9                   |     | 1.1  | 2.3 | 2.1  | 3.7 | 3.5  | 5.6 | $\mu A$ |
|  |          | 1         | 1.0                   |     | 1.2  |     | 2.3  |     | 3.9  |     |         |
|  |          | 2         | 1.1                   |     | 1.3  |     | 2.5  |     | 4.2  |     |         |
|  |          | 3         | 1.1                   | 1.3 | 2.6  | 2.6 | 4.5  | 4.4 | 7.1  |     |         |
| $I_{LPM4}$ Low-power mode 4 <sup>(8) (4)</sup>                     | 3 V      | 0         | 0.8                   |     | 1.0  | 2.2 | 2.0  | 3.6 | 3.4  | 5.5 | $\mu A$ |
|  |          | 1         | 0.9                   |     | 1.1  |     | 2.2  |     | 3.8  |     |         |
|  |          | 2         | 1.0                   |     | 1.2  |     | 2.4  |     | 4.1  |     |         |
|  |          | 3         | 1.0                   | 1.2 | 2.5  | 2.5 | 4.4  | 4.3 | 7.0  |     |         |

- (1) All inputs are tied to 0 V or to  $V_{CC}$ . Outputs do not source or sink any current.
- (2) The currents are characterized with a Micro Crystal MS1V-T1K crystal with a load capacitance of 12.5 pF. The internal and external load capacitance are chosen to closely match the required 12.5 pF.
- (3) Current for watchdog timer clocked by SMCLK included. ACLK = low frequency crystal operation (XTS = 0, XT1DRIVEx = 0). CPUOFF = 1, SCG0 = 0, SCG1 = 0, OSCOFF = 0 (LPM0),  $f_{ACLK}$  = 32768 Hz,  $f_{MCLK}$  = 0 MHz,  $f_{SMCLK}$  =  $f_{DCO}$  = 1 MHz
- (4) Current for brownout, high-side supervisor (SVSH) normal mode included. Low-side supervisor (SVSL) and low-side monitor (SVM<sub>L</sub>) disabled. High-side monitor (SVM<sub>H</sub>) disabled. RAM retention enabled.
- (5) Current for watchdog timer and RTC clocked by ACLK included. ACLK = low frequency crystal operation (XTS = 0, XT1DRIVEx = 0). CPUOFF = 1, SCG0 = 0, SCG1 = 1, OSCOFF = 0 (LPM2),  $f_{ACLK}$  = 32768 Hz,  $f_{MCLK}$  = 0 MHz,  $f_{SMCLK}$  =  $f_{DCO}$  = 0 MHz, DCO setting = 1 MHz operation, DCO bias generator enabled.
- (6) Current for watchdog timer and RTC clocked by ACLK included. ACLK = low frequency crystal operation (XTS = 0, XT1DRIVEx = 0). CPUOFF = 1, SCG0 = 1, SCG1 = 1, OSCOFF = 0 (LPM3),  $f_{ACLK}$  = 32768 Hz,  $f_{MCLK}$  =  $f_{SMCLK}$  =  $f_{DCO}$  = 0 MHz
- (7) Current for watchdog timer and RTC clocked by ACLK included. ACLK = VLO. CPUOFF = 1, SCG0 = 1, SCG1 = 1, OSCOFF = 0 (LPM3),  $f_{ACLK}$  =  $f_{VLO}$ ,  $f_{MCLK}$  =  $f_{SMCLK}$  =  $f_{DCO}$  = 0 MHz
- (8) CPUOFF = 1, SCG0 = 1, SCG1 = 1, OSCOFF = 1 (LPM4),  $f_{DCO}$  =  $f_{ACLK}$  =  $f_{MCLK}$  =  $f_{SMCLK}$  = 0 MHz

### 5.7 Typical Characteristics – Low-Power Mode Supply Currents



## 5.8 Low-Power Mode With LCD Supply Currents (Into $V_{CC}$ ) Excluding External Current

over recommended ranges of supply voltage and operating free-air temperature (unless otherwise noted)<sup>(1) (2)</sup>

| PARAMETER                       | $V_{CC}$ | PMMCOREVx | TEMPERATURE ( $T_A$ ) |     |      |     |      |     |      |         | UNIT    |
|---------------------------------|----------|-----------|-----------------------|-----|------|-----|------|-----|------|---------|---------|
|                                 |          |           | -40°C                 |     | 25°C |     | 60°C |     | 85°C |         |         |
|                                 |          |           | TYP                   | MAX | TYP  | MAX | TYP  | MAX | TYP  | MAX     |         |
| $I_{LPM3}$<br>LCD,<br>ext. bias | 3 V      | 0         | 2.2                   |     | 2.4  |     | 3.5  |     | 4.9  | $\mu$ A |         |
|                                 |          | 1         | 2.3                   |     | 2.5  |     | 3.7  |     | 5.3  |         |         |
|                                 |          | 2         | 2.4                   |     | 2.6  |     | 3.9  |     | 5.6  |         |         |
|                                 |          | 3         | 2.4                   |     | 2.6  |     | 4.0  |     | 5.8  |         |         |
| $I_{LPM3}$<br>LCD,<br>int. bias | 3 V      | 0         | 3.1                   |     | 3.3  | 4.0 | 4.3  |     | 5.8  | 7.4     | $\mu$ A |
|                                 |          | 1         | 3.2                   |     | 3.4  |     | 4.5  |     | 6.2  |         |         |
|                                 |          | 2         | 3.3                   |     | 3.5  |     | 4.7  |     | 6.5  |         |         |
|                                 |          | 3         | 3.3                   |     | 3.5  | 4.3 | 4.8  |     | 6.7  | 8.9     |         |
| $I_{LPM3}$<br>LCD,CP            | 2.2 V    | 0         |                       |     | 4.0  |     |      |     |      |         | $\mu$ A |
|                                 |          | 1         |                       |     | 4.1  |     |      |     |      |         |         |
|                                 |          | 2         |                       |     | 4.2  |     |      |     |      |         |         |
|                                 | 3 V      | 0         |                       |     | 4.2  |     |      |     |      |         |         |
|                                 |          | 1         |                       |     | 4.3  |     |      |     |      |         |         |
|                                 |          | 2         |                       |     | 4.5  |     |      |     |      |         |         |
|                                 |          | 3         |                       |     | 4.5  |     |      |     |      |         |         |

- (1) All inputs are tied to 0 V or to  $V_{CC}$ . Outputs do not source or sink any current.
- (2) The currents are characterized with a Micro Crystal MS1V-T1K crystal with a load capacitance of 12.5 pF. The internal and external load capacitance are chosen to closely match the required 12.5 pF.
- (3) Current for watchdog timer and RTC clocked by ACLK included. ACLK = low frequency crystal operation (XTS = 0, XT1DRIVEx = 0). CPUOFF = 1, SCG0 = 1, SCG1 = 1, OSCOFF = 0 (LPM3),  $f_{ACLK}$  = 32768 Hz,  $f_{MCLK}$  =  $f_{SMCLK}$  =  $f_{DCO}$  = 0 MHz  
Current for brownout, high-side supervisor (SVSH) normal mode included. Low-side supervisor (SVSL) and low-side monitor (SVM<sub>L</sub>) disabled. High-side monitor (SVM<sub>H</sub>) disabled. RAM retention enabled.
- (4) LCDMx = 11 (4-mux mode), LCDREXT = 1, LCDEXTBIAS = 1 (external biasing), LCD2B = 0 (1/3 bias), LCDCPEN = 0 (charge pump disabled), LCDSSEL = 0, LCDPREx = 101, LCDDIVx = 00011 ( $f_{LCD}$  = 32768 Hz / 32 / 4 = 256 Hz)  
Current through external resistors not included (voltage levels are supplied by test equipment).  
Even segments S0, S2,... = 0, odd segments S1, S3,... = 1. No LCD panel load.
- (5) LCDMx = 11 (4-mux mode), LCDREXT = 0, LCDEXTBIAS = 0 (internal biasing), LCD2B = 0 (1/3 bias), LCDCPEN = 0 (charge pump disabled), LCDSSEL = 0, LCDPREx = 101, LCDDIVx = 00011 ( $f_{LCD}$  = 32768 Hz / 32 / 4 = 256 Hz)  
Even segments S0, S2,... = 0, odd segments S1, S3,... = 1. No LCD panel load.
- (6) LCDMx = 11 (4-mux mode), LCDREXT = 0, LCDEXTBIAS = 0 (internal biasing), LCD2B = 0 (1/3 bias), LCDCPEN = 1 (charge pump enabled), VLCDx = 1000 ( $V_{LCD}$  = 3 V, typical), LCDSSEL = 0, LCDPREx = 101, LCDDIVx = 00011 ( $f_{LCD}$  = 32768 Hz / 32 / 4 = 256 Hz)  
Even segments S0, S2,... = 0, odd segments S1, S3,... = 1. No LCD panel load.

## 5.9 Thermal Resistance Characteristics, CC430F51xx

|               |   | PACKAGE      | VALUE  |
|---------------|---|--------------|--------|
| $\theta_{JA}$ | Junction-to-ambient thermal resistance, still air | Low-K board  | 98°C/W |
|               |   | High-K board | 28°C/W |

## 5.10 Thermal Resistance Characteristics, CC430F61xx

|               |   | PACKAGE      | VALUE  |
|---------------|---|--------------|--------|
| $\theta_{JA}$ | Junction-to-ambient thermal resistance, still air | Low-K board  | 83°C/W |
|               |   | High-K board | 26°C/W |

## 5.11 Digital Inputs

over recommended ranges of supply voltage and operating free-air temperature (unless otherwise noted)

| PARAMETER              |  | TEST CONDITIONS  | V <sub>CC</sub> | MIN  | TYP | MAX  | UNIT |
|------------------------|--|--|-----------------|------|-----|------|------|
| V <sub>IT+</sub>       | Positive-going input threshold voltage   |  | 1.8 V           | 0.80 |     | 1.40 | V    |
|                        |  |  | 3 V             | 1.50 |     | 2.10 |      |
| V <sub>IT-</sub>       | Negative-going input threshold voltage   |  | 1.8 V           | 0.45 |     | 1.00 | V    |
|                        |  |  | 3 V             | 0.75 |     | 1.65 |      |
| V <sub>hys</sub>       | Input voltage hysteresis (V <sub>IT+</sub> – V <sub>IT-</sub> )                                  |  | 1.8 V           | 0.3  |     | 0.8  | V    |
|                        |  |  | 3 V             | 0.4  |     | 1.0  |      |
| R <sub>Pull</sub>      | Pullup or pulldown resistor  | For pullup: V <sub>IN</sub> = V <sub>SS</sub><br>For pulldown: V <sub>IN</sub> = V <sub>CC</sub>                   |                 | 20   | 35  | 50   | kΩ   |
| C <sub>I</sub>         | Input capacitance  | V <sub>IN</sub> = V <sub>SS</sub> or V <sub>CC</sub>   |                 |      | 5   |      | pF   |
| I <sub>Ikg(Px.y)</sub> | High-impedance leakage current   | See <sup>(1)</sup> <sup>(2)</sup>  | 1.8 V, 3 V      |      |     | ±50  | nA   |
| t <sub>(int)</sub>     | External interrupt timing (external trigger pulse duration to set interrupt flag) <sup>(3)</sup> | Ports with interrupt capability [see block diagram (Section 1.4) and terminal function descriptions (Section 4.2)] | 1.8 V, 3 V      | 20   |     |      | ns   |

(1) The leakage current is measured with V<sub>SS</sub> or V<sub>CC</sub> applied to the corresponding pins, unless otherwise noted.

(2) The leakage of the digital port pins is measured individually. The port pin is selected for input and the pullup or pulldown resistor is disabled.

(3) An external signal sets the interrupt flag every time the minimum interrupt pulse duration t<sub>(int)</sub> is met. It may be set by trigger signals shorter than t<sub>(int)</sub>.

## 5.12 Digital Outputs

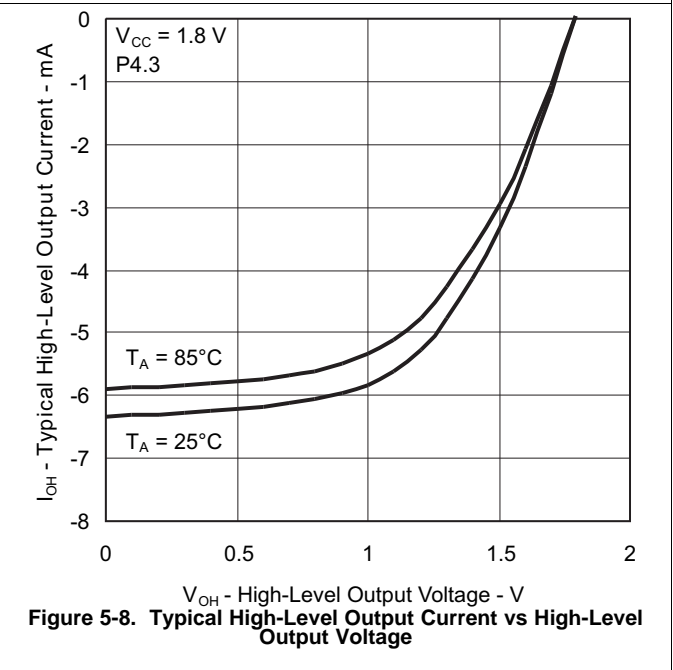
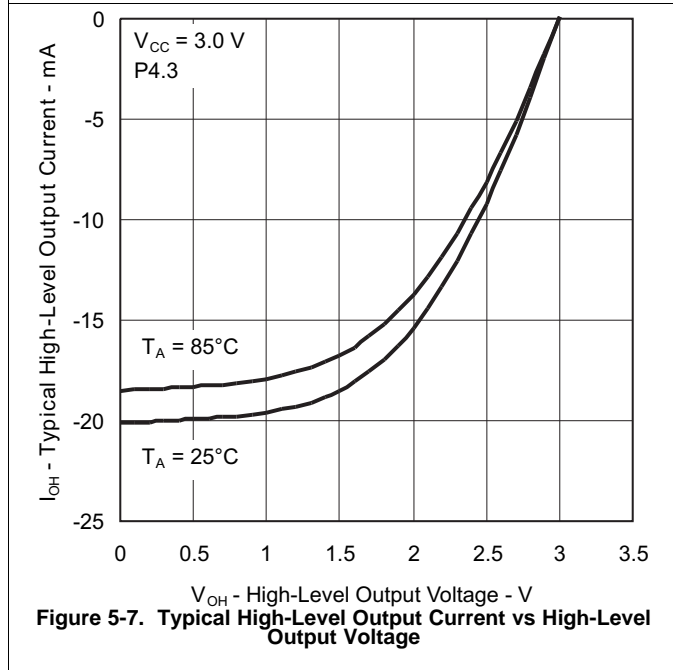
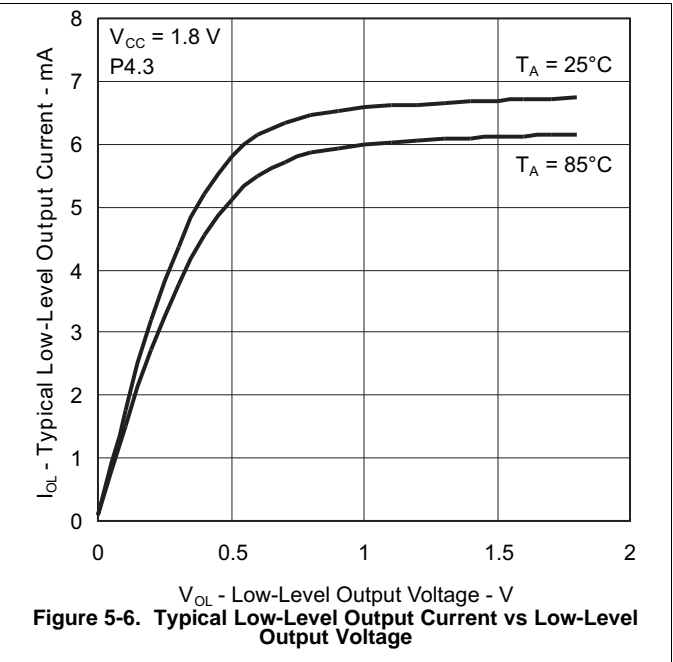
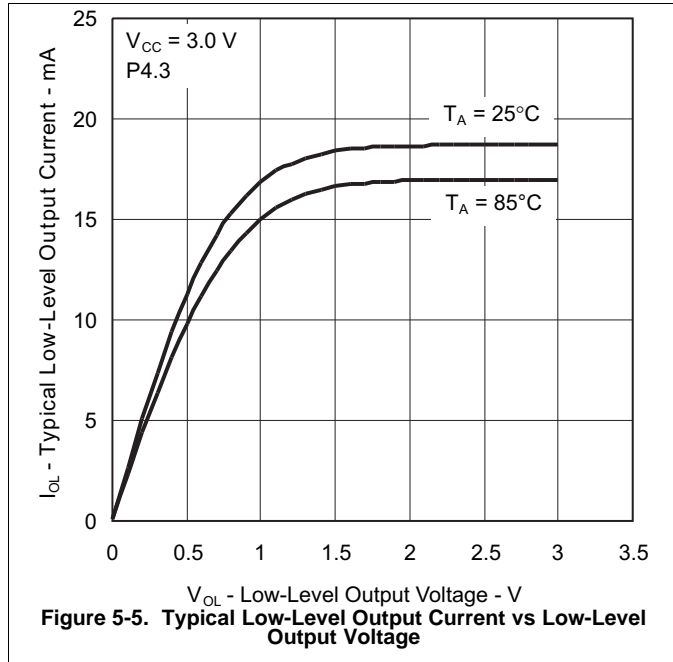
over recommended ranges of supply voltage and operating free-air temperature (unless otherwise noted)

| PARAMETER             |  | TEST CONDITIONS  | V <sub>CC</sub>                        | MIN                    | MAX                    | UNIT |
|-----------------------|--|--|--|------------------------|------------------------|------|
| V <sub>OH</sub>       | High-level output voltage, reduced drive strength <sup>(1)</sup> | I <sub>(OHmax)</sub> = -1 mA, PxDS.y = 0 <sup>(2)</sup>              | 1.8 V                                  | V <sub>CC</sub> - 0.25 | V <sub>CC</sub>        | V    |
|                       |  | I <sub>(OHmax)</sub> = -3 mA, PxDS.y = 0 <sup>(3)</sup>              |  | V <sub>CC</sub> - 0.60 | V <sub>CC</sub>        |      |
|                       |  | I <sub>(OHmax)</sub> = -2 mA, PxDS.y = 0 <sup>(2)</sup>              | 3 V                                    | V <sub>CC</sub> - 0.25 | V <sub>CC</sub>        |      |
|                       |  | I <sub>(OHmax)</sub> = -6 mA, PxDS.y = 0 <sup>(3)</sup>              |  | V <sub>CC</sub> - 0.60 | V <sub>CC</sub>        |      |
| V <sub>OL</sub>       | Low-level output voltage, reduced drive strength <sup>(1)</sup>  | I <sub>(OLmax)</sub> = 1 mA, PxDS.y = 0 <sup>(2)</sup>               | 1.8 V                                  | V <sub>SS</sub>        | V <sub>SS</sub> + 0.25 | V    |
|                       |  | I <sub>(OLmax)</sub> = 3 mA, PxDS.y = 0 <sup>(3)</sup>               |  | V <sub>SS</sub>        | V <sub>SS</sub> + 0.60 |      |
|                       |  | I <sub>(OLmax)</sub> = 2 mA, PxDS.y = 0 <sup>(2)</sup>               | 3 V                                    | V <sub>SS</sub>        | V <sub>SS</sub> + 0.25 |      |
|                       |  | I <sub>(OLmax)</sub> = 6 mA, PxDS.y = 0 <sup>(3)</sup>               |  | V <sub>SS</sub>        | V <sub>SS</sub> + 0.60 |      |
| V <sub>OH</sub>       | High-level output voltage, full drive strength                   | I <sub>(OHmax)</sub> = -3 mA, PxDS.y = 1 <sup>(2)</sup>              | 1.8 V                                  | V <sub>CC</sub> - 0.25 | V <sub>CC</sub>        | V    |
|                       |  | I <sub>(OHmax)</sub> = -10 mA, PxDS.y = 1 <sup>(3)</sup>             |  | V <sub>CC</sub> - 0.60 | V <sub>CC</sub>        |      |
|                       |  | I <sub>(OHmax)</sub> = -5 mA, PxDS.y = 1 <sup>(2)</sup>              | 3 V                                    | V <sub>CC</sub> - 0.25 | V <sub>CC</sub>        |      |
|                       |  | I <sub>(OHmax)</sub> = -15 mA, PxDS.y = 1 <sup>(3)</sup>             |  | V <sub>CC</sub> - 0.60 | V <sub>CC</sub>        |      |
| V <sub>OL</sub>       | Low-level output voltage, full drive strength                    | I <sub>(OLmax)</sub> = 3 mA, PxDS.y = 1 <sup>(2)</sup>               | 1.8 V                                  | V <sub>SS</sub>        | V <sub>SS</sub> + 0.25 | V    |
|                       |  | I <sub>(OLmax)</sub> = 10 mA, PxDS.y = 1 <sup>(3)</sup>              |  | V <sub>SS</sub>        | V <sub>SS</sub> + 0.60 |      |
|                       |  | I <sub>(OLmax)</sub> = 5 mA, PxDS.y = 1 <sup>(2)</sup>               | 3 V                                    | V <sub>SS</sub>        | V <sub>SS</sub> + 0.25 |      |
|                       |  | I <sub>(OLmax)</sub> = 15 mA, PxDS.y = 1 <sup>(3)</sup>              |  | V <sub>SS</sub>        | V <sub>SS</sub> + 0.60 |      |
| f <sub>Px.y</sub>     | Port output frequency (with load)                                | C <sub>L</sub> = 20 pF, R <sub>L</sub> <sup>(4)</sup> <sup>(5)</sup> | V <sub>CC</sub> = 1.8 V, PMMCOREVx = 0 |                        | 16                     | MHz  |
|                       |  |  | V <sub>CC</sub> = 3 V, PMMCOREVx = 2   |                        | 25                     |      |
| f <sub>Port_CLK</sub> | Clock output frequency   | C <sub>L</sub> = 20 pF <sup>(5)</sup>                                | V <sub>CC</sub> = 1.8 V, PMMCOREVx = 0 |                        | 16                     | MHz  |
|                       |  |  | V <sub>CC</sub> = 3 V, PMMCOREVx = 2   |                        | 25                     |      |

- (1) Selecting reduced drive strength may reduce EMI.
- (2) The maximum total current, I<sub>(OHmax)</sub> and I<sub>(OLmax)</sub>, for all outputs combined should not exceed ±48 mA to hold the maximum voltage drop specified.
- (3) The maximum total current, I<sub>(OHmax)</sub> and I<sub>(OLmax)</sub>, for all outputs combined should not exceed ±100 mA to hold the maximum voltage drop specified.
- (4) A resistive divider with 2 × R1 between V<sub>CC</sub> and V<sub>SS</sub> is used as load. The output is connected to the center tap of the divider. For full drive strength, R1 = 550 Ω. For reduced drive strength, R1 = 1.6 kΩ. C<sub>L</sub> = 20 pF is connected to the output to V<sub>SS</sub>.
- (5) The output voltage reaches at least 10% and 90% V<sub>CC</sub> at the specified toggle frequency.



5.13 Typical Characteristics – Outputs, Reduced Drive Strength (PxDS.y = 0)



### 5.14 Typical Characteristics – Outputs, Full Drive Strength (PxDS.y = 1)

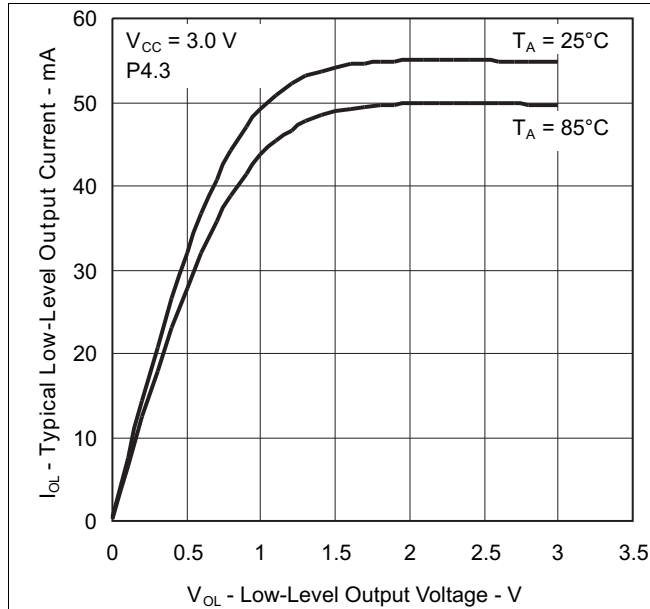


Figure 5-9. Typical Low-Level Output Current vs Low-Level Output Voltage

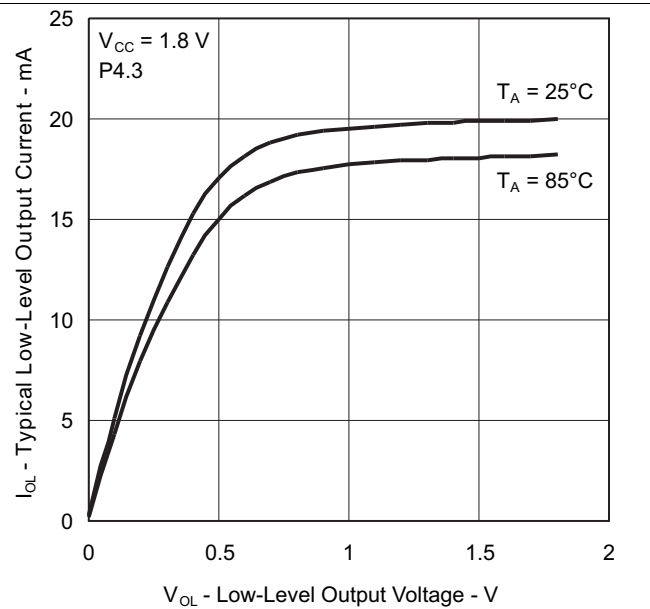


Figure 5-10. Typical Low-Level Output Current vs Low-Level Output Voltage

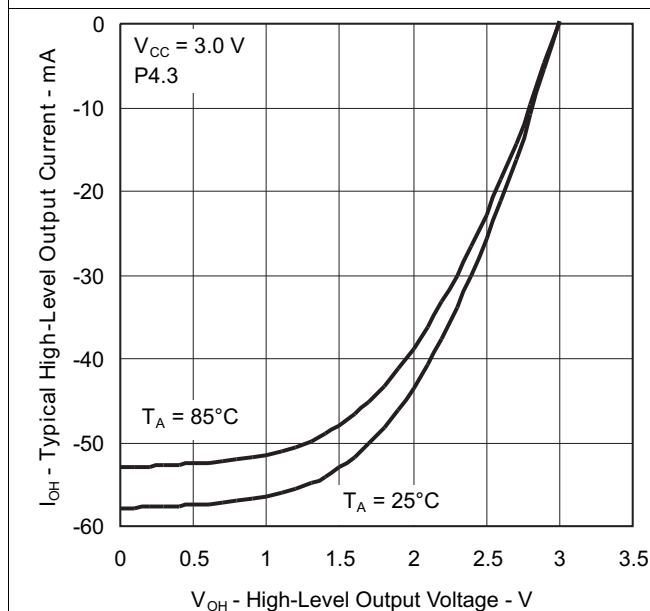


Figure 5-11. Typical High-Level Output Current vs High-Level Output Voltage

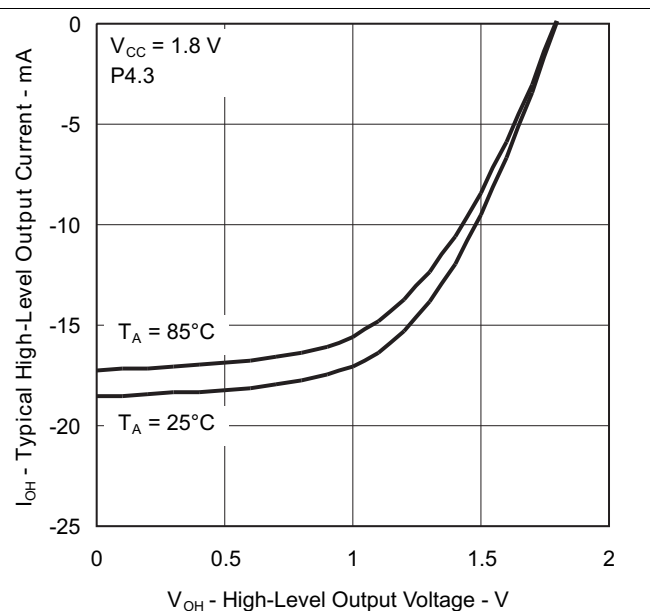


Figure 5-12. Typical High-Level Output Current vs High-Level Output Voltage

## 5.15 Crystal Oscillator, XT1, Low-Frequency Mode<sup>(1)</sup>

over recommended ranges of supply voltage and operating free-air temperature (unless otherwise noted)

| PARAMETER            |  | TEST CONDITIONS  | V <sub>CC</sub> | MIN   | TYP    | MAX        | UNIT |
|----------------------|--|--|-----------------|-------|--------|------------|------|
| $\Delta I_{DVCC,LF}$ | Differential XT1 oscillator crystal current consumption from lowest drive setting, LF mode | $f_{OSC} = 32768$ Hz, XTS = 0, XT1BYPASS = 0, XT1DRIVE <sub>x</sub> = 1, T <sub>A</sub> = 25°C                             | 3 V             | 0.075 |        | $\mu$ A    |      |
|                      |  | $f_{OSC} = 32768$ Hz, XTS = 0, XT1BYPASS = 0, XT1DRIVE <sub>x</sub> = 2, T <sub>A</sub> = 25°C                             |                 | 0.170 |        |            |      |
|                      |  | $f_{OSC} = 32768$ Hz, XTS = 0, XT1BYPASS = 0, XT1DRIVE <sub>x</sub> = 3, T <sub>A</sub> = 25°C                             |                 | 0.290 |        |            |      |
| $f_{XT1,LF0}$        | XT1 oscillator crystal frequency, LF mode  | XTS = 0, XT1BYPASS = 0   |                 | 32768 |        | Hz         |      |
| $f_{XT1,LF,SW}$      | XT1 oscillator logic-level square-wave input frequency, LF mode                            | XTS = 0, XT1BYPASS = 1 <sup>(2)</sup> <sup>(3)</sup>   |                 | 10    | 32.768 | 50         | kHz  |
| $OA_{LF}$            | Oscillation allowance for LF crystals <sup>(4)</sup>                                       | XTS = 0, XT1BYPASS = 0, XT1DRIVE <sub>x</sub> = 0, $f_{XT1,LF} = 32768$ Hz, C <sub>L,eff</sub> = 6 pF                      |                 | 210   |        | k $\Omega$ |      |
|                      |  | XTS = 0, XT1BYPASS = 0, XT1DRIVE <sub>x</sub> = 1, $f_{XT1,LF} = 32768$ Hz, C <sub>L,eff</sub> = 12 pF                     |                 | 300   |        |            |      |
| C <sub>L,eff</sub>   | Integrated effective load capacitance, LF mode <sup>(5)</sup>                              | XTS = 0, XCAP <sub>x</sub> = 0 <sup>(6)</sup>  |                 | 2     |        | pF         |      |
|                      |  | XTS = 0, XCAP <sub>x</sub> = 1   |                 | 5.5   |        |            |      |
|                      |  | XTS = 0, XCAP <sub>x</sub> = 2   |                 | 8.5   |        |            |      |
|                      |  | XTS = 0, XCAP <sub>x</sub> = 3   |                 | 12.0  |        |            |      |
| Duty cycle, LF mode  |  | XTS = 0, Measured at ACLK, $f_{XT1,LF} = 32768$ Hz   |                 | 30%   |        | 70%        |      |
| $f_{Fault,LF}$       | Oscillator fault frequency, LF mode <sup>(7)</sup>   | XTS = 0 <sup>(8)</sup>   |                 | 10    |        | 10000      | Hz   |
| $t_{START,LF}$       | Start-up time, LF mode   | $f_{OSC} = 32768$ Hz, XTS = 0, XT1BYPASS = 0, XT1DRIVE <sub>x</sub> = 0, T <sub>A</sub> = 25°C, C <sub>L,eff</sub> = 6 pF  | 3 V             | 1000  |        | ms         |      |
|                      |  | $f_{OSC} = 32768$ Hz, XTS = 0, XT1BYPASS = 0, XT1DRIVE <sub>x</sub> = 3, T <sub>A</sub> = 25°C, C <sub>L,eff</sub> = 12 pF |                 | 500   |        |            |      |

- (1) To improve EMI on the XT1 oscillator, the following guidelines should be observed.
  - Keep the trace between the device and the crystal as short as possible.
  - Design a good ground plane around the oscillator pins.
  - Prevent crosstalk from other clock or data lines into oscillator pins XIN and XOUT.
  - Avoid running PCB traces underneath or adjacent to the XIN and XOUT pins.
  - Use assembly materials and processes that avoid any parasitic load on the oscillator XIN and XOUT pins.
  - If conformal coating is used, make sure that it does not induce capacitive or resistive leakage between the oscillator pins.
- (2) When XT1BYPASS is set, XT1 circuits are automatically powered down. Input signal is a digital square wave with parametrics defined in the Schmitt-trigger Inputs section of this datasheet.
- (3) Maximum frequency of operation of the entire device cannot be exceeded.
- (4) Oscillation allowance is based on a safety factor of 5 for recommended crystals. The oscillation allowance is a function of the XT1DRIVE<sub>x</sub> settings and the effective load. In general, comparable oscillator allowance can be achieved based on the following guidelines, but should be evaluated based on the actual crystal selected for the application:
  - For XT1DRIVE<sub>x</sub> = 0, C<sub>L,eff</sub> ≤ 6 pF
  - For XT1DRIVE<sub>x</sub> = 1, 6 pF ≤ C<sub>L,eff</sub> ≤ 9 pF
  - For XT1DRIVE<sub>x</sub> = 2, 6 pF ≤ C<sub>L,eff</sub> ≤ 10 pF
  - For XT1DRIVE<sub>x</sub> = 3, C<sub>L,eff</sub> ≥ 6 pF
- (5) Includes parasitic bond and package capacitance (approximately 2 pF per pin). Because the PCB adds additional capacitance, verify the correct load by measuring the ACLK frequency. For a correct setup, the effective load capacitance should always match the specification of the used crystal.
- (6) Requires external capacitors at both terminals. Values are specified by crystal manufacturers.
- (7) Frequencies below the MIN specification set the fault flag. Frequencies above the MAX specification do not set the fault flag. Frequencies between the MIN and MAX specifications might set the flag.
- (8) Measured with logic-level input frequency but also applies to operation with crystals.

### 5.16 Internal Very-Low-Power Low-Frequency Oscillator (VLO)

over recommended ranges of supply voltage and operating free-air temperature (unless otherwise noted)

| PARAMETER                           |                                    | TEST CONDITIONS                 | V <sub>CC</sub> | MIN | TYP | MAX | UNIT |
|-------------------------------------|------------------------------------|---------------------------------|-----------------|-----|-----|-----|------|
| f <sub>VLO</sub>                    | VLO frequency                      | Measured at ACLK                | 1.8 V to 3.6 V  | 6   | 9.4 | 14  | kHz  |
| df <sub>VLO</sub> /dT               | VLO frequency temperature drift    | Measured at ACLK <sup>(1)</sup> | 1.8 V to 3.6 V  |     | 0.5 |     | %/°C |
| df <sub>VLO</sub> /dV <sub>CC</sub> | VLO frequency supply voltage drift | Measured at ACLK <sup>(2)</sup> | 1.8 V to 3.6 V  |     | 4   |     | %/V  |
|                                     | Duty cycle                         | Measured at ACLK                | 1.8 V to 3.6 V  | 40% | 50% | 60% |      |

(1) Calculated using the box method: (MAX(−40°C to 85°C) – MIN(−40°C to 85°C)) / MIN(−40°C to 85°C) / (85°C – (−40°C))

(2) Calculated using the box method: (MAX(1.8 V to 3.6 V) – MIN(1.8 V to 3.6 V)) / MIN(1.8 V to 3.6 V) / (3.6 V – 1.8 V)

### 5.17 Internal Reference, Low-Frequency Oscillator (REFO)

over recommended ranges of supply voltage and operating free-air temperature (unless otherwise noted)

| PARAMETER                           |                                     | TEST CONDITIONS                 | V <sub>CC</sub> | MIN | TYP   | MAX   | UNIT |
|-------------------------------------|-------------------------------------|---------------------------------|-----------------|-----|-------|-------|------|
| I <sub>REFO</sub>                   | REFO oscillator current consumption | T <sub>A</sub> = 25°C           | 1.8 V to 3.6 V  |     | 3     |       | µA   |
| f <sub>REFO</sub>                   | REFO frequency calibrated           | Measured at ACLK                | 1.8 V to 3.6 V  |     | 32768 |       | Hz   |
|                                     | REFO absolute tolerance calibrated  | Full temperature range          | 1.8 V to 3.6 V  |     |       | ±3.5% |      |
|                                     |                                     | T <sub>A</sub> = 25°C           | 3 V             |     |       | ±1.5% |      |
| df <sub>REFO</sub> /dT              | REFO frequency temperature drift    | Measured at ACLK <sup>(1)</sup> | 1.8 V to 3.6 V  |     | 0.01  |       | %/°C |
| df <sub>REFO</sub> /dV <sub>C</sub> | REFO frequency supply voltage drift | Measured at ACLK <sup>(2)</sup> | 1.8 V to 3.6 V  |     | 1.0   |       | %/V  |
|                                     | Duty cycle                          | Measured at ACLK                | 1.8 V to 3.6 V  | 40% | 50%   | 60%   |      |
| t <sub>START</sub>                  | REFO start-up time                  | 40%/60% duty cycle              | 1.8 V to 3.6 V  |     | 25    |       | µs   |

(1) Calculated using the box method: (MAX(−40°C to 85°C) – MIN(−40°C to 85°C)) / MIN(−40°C to 85°C) / (85°C – (−40°C))

(2) Calculated using the box method: (MAX(1.8 V to 3.6 V) – MIN(1.8 V to 3.6 V)) / MIN(1.8 V to 3.6 V) / (3.6 V – 1.8 V)

### 5.18 DCO Frequency

over recommended ranges of supply voltage and operating free-air temperature (unless otherwise noted)

| PARAMETER              |  | TEST CONDITIONS  | MIN  | TYP | MAX  | UNIT  |
|------------------------|--|--|------|-----|------|-------|
| f <sub>DCO(0,0)</sub>  | DCO frequency (0, 0) <sup>(1)</sup>                  | DCORSELx = 0, DCOx = 0, MODx = 0   | 0.07 |     | 0.20 | MHz   |
| f <sub>DCO(0,31)</sub> | DCO frequency (0, 31) <sup>(1)</sup>                 | DCORSELx = 0, DCOx = 31, MODx = 0  | 0.70 |     | 1.70 | MHz   |
| f <sub>DCO(1,0)</sub>  | DCO frequency (1, 0) <sup>(1)</sup>                  | DCORSELx = 1, DCOx = 0, MODx = 0   | 0.15 |     | 0.36 | MHz   |
| f <sub>DCO(1,31)</sub> | DCO frequency (1, 31) <sup>(1)</sup>                 | DCORSELx = 1, DCOx = 31, MODx = 0  | 1.47 |     | 3.45 | MHz   |
| f <sub>DCO(2,0)</sub>  | DCO frequency (2, 0) <sup>(1)</sup>                  | DCORSELx = 2, DCOx = 0, MODx = 0   | 0.32 |     | 0.75 | MHz   |
| f <sub>DCO(2,31)</sub> | DCO frequency (2, 31) <sup>(1)</sup>                 | DCORSELx = 2, DCOx = 31, MODx = 0  | 3.17 |     | 7.38 | MHz   |
| f <sub>DCO(3,0)</sub>  | DCO frequency (3, 0) <sup>(1)</sup>                  | DCORSELx = 3, DCOx = 0, MODx = 0   | 0.64 |     | 1.51 | MHz   |
| f <sub>DCO(3,31)</sub> | DCO frequency (3, 31) <sup>(1)</sup>                 | DCORSELx = 3, DCOx = 31, MODx = 0  | 6.07 |     | 14.0 | MHz   |
| f <sub>DCO(4,0)</sub>  | DCO frequency (4, 0) <sup>(1)</sup>                  | DCORSELx = 4, DCOx = 0, MODx = 0   | 1.3  |     | 3.2  | MHz   |
| f <sub>DCO(4,31)</sub> | DCO frequency (4, 31) <sup>(1)</sup>                 | DCORSELx = 4, DCOx = 31, MODx = 0  | 12.3 |     | 28.2 | MHz   |
| f <sub>DCO(5,0)</sub>  | DCO frequency (5, 0) <sup>(1)</sup>                  | DCORSELx = 5, DCOx = 0, MODx = 0   | 2.5  |     | 6.0  | MHz   |
| f <sub>DCO(5,31)</sub> | DCO frequency (5, 31) <sup>(1)</sup>                 | DCORSELx = 5, DCOx = 31, MODx = 0  | 23.7 |     | 54.1 | MHz   |
| f <sub>DCO(6,0)</sub>  | DCO frequency (6, 0) <sup>(1)</sup>                  | DCORSELx = 6, DCOx = 0, MODx = 0   | 4.6  |     | 10.7 | MHz   |
| f <sub>DCO(6,31)</sub> | DCO frequency (6, 31) <sup>(1)</sup>                 | DCORSELx = 6, DCOx = 31, MODx = 0  | 39.0 |     | 88.0 | MHz   |
| f <sub>DCO(7,0)</sub>  | DCO frequency (7, 0) <sup>(1)</sup>                  | DCORSELx = 7, DCOx = 0, MODx = 0   | 8.5  |     | 19.6 | MHz   |
| f <sub>DCO(7,31)</sub> | DCO frequency (7, 31) <sup>(1)</sup>                 | DCORSELx = 7, DCOx = 31, MODx = 0  | 60   |     | 135  | MHz   |
| S <sub>DCORSEL</sub>   | Frequency step between range DCORSEL and DCORSEL + 1 | S <sub>RSEL</sub> = f <sub>DCO(DCORSEL+1,DCO)</sub> /f <sub>DCO(DCORSEL,DCO)</sub> | 1.2  |     | 2.3  | ratio |

(1) When selecting the proper DCO frequency range (DCORSELx), the target DCO frequency, f<sub>DCO</sub>, should be set to reside within the range of f<sub>DCO(n,0),MAX</sub> ≤ f<sub>DCO</sub> ≤ f<sub>DCO(n,31),MIN</sub>, where f<sub>DCO(n,0),MAX</sub> represents the maximum frequency specified for the DCO frequency, range n, tap 0 (DCOx = 0) and f<sub>DCO(n,31),MIN</sub> represents the minimum frequency specified for the DCO frequency, range n, tap 31 (DCOx = 31). This ensures that the target DCO frequency resides within the range selected. It should also be noted that if the actual f<sub>DCO</sub> frequency for the selected range causes the FLL or the application to select tap 0 or 31, the DCO fault flag is set to report that the selected range is at its minimum or maximum tap setting.

### DCO Frequency (continued)

over recommended ranges of supply voltage and operating free-air temperature (unless otherwise noted)

| PARAMETER                           |  | TEST CONDITIONS   | MIN  | TYP | MAX  | UNIT  |
|-------------------------------------|--|---|------|-----|------|-------|
| S <sub>DCO</sub>                    | Frequency step between tap DCO and DCO + 1 | $S_{DCO} = f_{DCO(DCORSEL,DCO+1)} / f_{DCO(DCORSEL,DCO)}$ | 1.02 |     | 1.12 | ratio |
|                                     | Duty cycle                                 | Measured at SMCLK   | 40%  | 50% | 60%  |       |
| df <sub>DCO</sub> /dT               | DCO frequency temperature drift            | f <sub>DCO</sub> = 1 MHz                                  |      | 0.1 |      | %/°C  |
| df <sub>DCO</sub> /dV <sub>CC</sub> | DCO frequency voltage drift                | f <sub>DCO</sub> = 1 MHz                                  |      | 1.9 |      | %/V   |

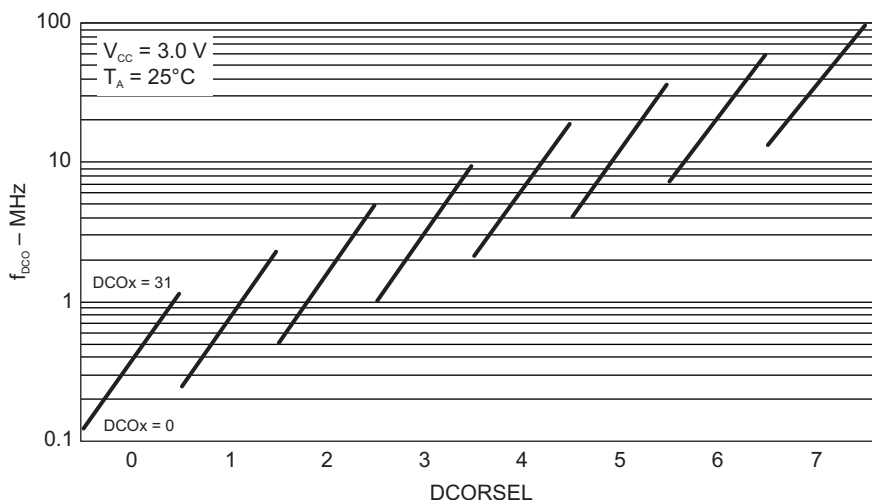


Figure 5-13. Typical DCO Frequency

### 5.19 PMM, Brownout Reset (BOR)

over recommended ranges of supply voltage and operating free-air temperature (unless otherwise noted)

| PARAMETER                   |   | TEST CONDITIONS                 | MIN  | TYP  | MAX  | UNIT |
|-----------------------------|---|---------------------------------|------|------|------|------|
| V <sub>(DVCC_BOR_IT-)</sub> | BOR <sub>H</sub> on voltage, DV <sub>CC</sub> falling level | dDV <sub>CC</sub> /dt   < 3 V/s |      |      | 1.45 | V    |
| V <sub>(DVCC_BOR_IT+)</sub> | BOR <sub>H</sub> off voltage, DV <sub>CC</sub> rising level | dDV <sub>CC</sub> /dt   < 3 V/s | 0.80 | 1.30 | 1.50 | V    |
| V <sub>(DVCC_BOR_hys)</sub> | BOR <sub>H</sub> hysteresis                                 |                                 | 50   |      | 250  | mV   |
| t <sub>RESET</sub>          | Pulse duration required at RST/NMI pin to accept a reset    |                                 | 2    |      |      | μs   |

### 5.20 PMM, Core Voltage

over recommended ranges of supply voltage and operating free-air temperature (unless otherwise noted)

| PARAMETER               |  | TEST CONDITIONS                  | MIN | TYP  | MAX | UNIT |
|-------------------------|--|----------------------------------|-----|------|-----|------|
| V <sub>CORE3(AM)</sub>  | Core voltage, active mode, PMMCOREV = 3      | 2.4 V ≤ DV <sub>CC</sub> ≤ 3.6 V |     | 1.90 |     | V    |
| V <sub>CORE2(AM)</sub>  | Core voltage, active mode, PMMCOREV = 2      | 2.2 V ≤ DV <sub>CC</sub> ≤ 3.6 V |     | 1.80 |     | V    |
| V <sub>CORE1(AM)</sub>  | Core voltage, active mode, PMMCOREV = 1      | 2 V ≤ DV <sub>CC</sub> ≤ 3.6 V   |     | 1.60 |     | V    |
| V <sub>CORE0(AM)</sub>  | Core voltage, active mode, PMMCOREV = 0      | 1.8 V ≤ DV <sub>CC</sub> ≤ 3.6 V |     | 1.40 |     | V    |
| V <sub>CORE3(LPM)</sub> | Core voltage, low-current mode, PMMCOREV = 3 | 2.4 V ≤ DV <sub>CC</sub> ≤ 3.6 V |     | 1.94 |     | V    |
| V <sub>CORE2(LPM)</sub> | Core voltage, low-current mode, PMMCOREV = 2 | 2.2 V ≤ DV <sub>CC</sub> ≤ 3.6 V |     | 1.84 |     | V    |
| V <sub>CORE1(LPM)</sub> | Core voltage, low-current mode, PMMCOREV = 1 | 2 V ≤ DV <sub>CC</sub> ≤ 3.6 V   |     | 1.64 |     | V    |
| V <sub>CORE0(LPM)</sub> | Core voltage, low-current mode, PMMCOREV = 0 | 1.8 V ≤ DV <sub>CC</sub> ≤ 3.6 V |     | 1.44 |     | V    |

## 5.21 PMM, SVS High Side

over recommended ranges of supply voltage and operating free-air temperature (unless otherwise noted)

| PARAMETER              |   | TEST CONDITIONS  | MIN  | TYP  | MAX  | UNIT |
|------------------------|---|--|------|------|------|------|
| $I_{(SVSH)}$           | SVS current consumption                           | SVSHE = 0, DV <sub>CC</sub> = 3.6 V                          | 0    |      |      | nA   |
|                        |   | SVSHE = 1, DV <sub>CC</sub> = 3.6 V, SVSHFP = 0              | 200  |      |      |      |
|                        |   | SVSHE = 1, DV <sub>CC</sub> = 3.6 V, SVSHFP = 1              | 1.5  |      |      | μA   |
| $V_{(SVSH\_IT-)}$      | SVS <sub>H</sub> on voltage level <sup>(1)</sup>  | SVSHE = 1, SVSHRVL = 0                                       | 1.53 | 1.60 | 1.67 | V    |
|                        |   | SVSHE = 1, SVSHRVL = 1                                       | 1.73 | 1.80 | 1.87 |      |
|                        |   | SVSHE = 1, SVSHRVL = 2                                       | 1.93 | 2.00 | 2.07 |      |
|                        |   | SVSHE = 1, SVSHRVL = 3                                       | 2.03 | 2.10 | 2.17 |      |
| $V_{(SVSH\_IT+)}$      | SVS <sub>H</sub> off voltage level <sup>(1)</sup> | SVSHE = 1, SVSMHRRRL = 0                                     | 1.60 | 1.70 | 1.80 | V    |
|                        |   | SVSHE = 1, SVSMHRRRL = 1                                     | 1.80 | 1.90 | 2.00 |      |
|                        |   | SVSHE = 1, SVSMHRRRL = 2                                     | 2.00 | 2.10 | 2.20 |      |
|                        |   | SVSHE = 1, SVSMHRRRL = 3                                     | 2.10 | 2.20 | 2.30 |      |
|                        |   | SVSHE = 1, SVSMHRRRL = 4                                     | 2.25 | 2.35 | 2.50 |      |
|                        |   | SVSHE = 1, SVSMHRRRL = 5                                     | 2.52 | 2.65 | 2.78 |      |
|                        |   | SVSHE = 1, SVSMHRRRL = 6                                     | 2.85 | 3.00 | 3.15 |      |
|                        |   | SVSHE = 1, SVSMHRRRL = 7                                     | 2.85 | 3.00 | 3.15 |      |
| $t_{pd(SVSH)}$         | SVS <sub>H</sub> propagation delay                | SVSHE = 1, dV <sub>DVCC</sub> /dt = 10 mV/μs, SVSHFP = 1     | 2.5  |      |      | μs   |
|                        |   | SVSHE = 1, dV <sub>DVCC</sub> /dt = 1 mV/μs, SVSHFP = 0      | 20   |      |      |      |
| $t_{(SVSH)}$           | SVS <sub>H</sub> on or off delay time             | SVSHE = 0 → 1, dV <sub>DVCC</sub> /dt = 10 mV/μs, SVSHFP = 1 | 12.5 |      |      | μs   |
|                        |   | SVSHE = 0 → 1, dV <sub>DVCC</sub> /dt = 1 mV/μs, SVSHFP = 0  | 100  |      |      |      |
| dV <sub>DVCC</sub> /dt | DV <sub>CC</sub> rise time                        |  | 0    |      | 1000 | V/s  |

(1) The SVS<sub>H</sub> settings available depend on the VCORE (PMMCOREVx) setting. See the *Power Management Module and Supply Voltage Supervisor* chapter in the [CC430 Family User's Guide](#) on recommended settings and use.

## 5.22 PMM, SVM High Side

over recommended ranges of supply voltage and operating free-air temperature (unless otherwise noted)

| PARAMETER      |   | TEST CONDITIONS  | MIN  | TYP  | MAX  | UNIT |
|----------------|---|--|------|------|------|------|
| $I_{(SVMH)}$   | SVM <sub>H</sub> current consumption                    | SVMHE = 0, DV <sub>CC</sub> = 3.6 V                          | 0    |      |      | nA   |
|                |   | SVMHE = 1, DV <sub>CC</sub> = 3.6 V, SVMHFP = 0              | 200  |      |      |      |
|                |   | SVMHE = 1, DV <sub>CC</sub> = 3.6 V, SVMHFP = 1              | 1.5  |      |      | μA   |
| $V_{(SVMH)}$   | SVM <sub>H</sub> on or off voltage level <sup>(1)</sup> | SVMHE = 1, SVMHRRRL = 0                                      | 1.60 | 1.70 | 1.80 | V    |
|                |   | SVMHE = 1, SVMHRRRL = 1                                      | 1.80 | 1.90 | 2.00 |      |
|                |   | SVMHE = 1, SVMHRRRL = 2                                      | 2.00 | 2.10 | 2.20 |      |
|                |   | SVMHE = 1, SVMHRRRL = 3                                      | 2.10 | 2.20 | 2.30 |      |
|                |   | SVMHE = 1, SVMHRRRL = 4                                      | 2.25 | 2.35 | 2.50 |      |
|                |   | SVMHE = 1, SVMHRRRL = 5                                      | 2.52 | 2.65 | 2.78 |      |
|                |   | SVMHE = 1, SVMHRRRL = 6                                      | 2.85 | 3.00 | 3.15 |      |
|                |   | SVMHE = 1, SVMHRRRL = 7                                      | 2.85 | 3.00 | 3.15 |      |
|                |   | SVMHE = 1, SVMHOVPE = 1                                      | 3.75 |      |      |      |
| $t_{pd(SVMH)}$ | SVM <sub>H</sub> propagation delay                      | SVMHE = 1, dV <sub>DVCC</sub> /dt = 10 mV/μs, SVMHFP = 1     | 2.5  |      |      | μs   |
|                |   | SVMHE = 1, dV <sub>DVCC</sub> /dt = 1 mV/μs, SVMHFP = 0      | 20   |      |      |      |
| $t_{(SVMH)}$   | SVM <sub>H</sub> on or off delay time                   | SVMHE = 0 → 1, dV <sub>DVCC</sub> /dt = 10 mV/μs, SVMHFP = 1 | 12.5 |      |      | μs   |
|                |   | SVMHE = 0 → 1, dV <sub>DVCC</sub> /dt = 1 mV/μs, SVMHFP = 0  | 100  |      |      |      |

(1) The SVM<sub>H</sub> settings available depend on the VCORE (PMMCOREVx) setting. See the *Power Management Module and Supply Voltage Supervisor* chapter in the [CC430 Family User's Guide](#) on recommended settings and use.

### 5.23 PMM, SVS Low Side

over recommended ranges of supply voltage and operating free-air temperature (unless otherwise noted)

| PARAMETER      |                                       | TEST CONDITIONS  | MIN | TYP  | MAX | UNIT |
|----------------|---------------------------------------|--|-----|------|-----|------|
| $I_{(SVSL)}$   | SVS <sub>L</sub> current consumption  | SVSLE = 0, PMMCOREV = 2  |     | 0    |     | nA   |
|                |                                       | SVSLE = 1, PMMCOREV = 2, SVSLFP = 0                                    |     | 200  |     | nA   |
|                |                                       | SVSLE = 1, PMMCOREV = 2, SVSLFP = 1                                    |     | 1.5  |     | μA   |
| $t_{pd(SVSL)}$ | SVS <sub>L</sub> propagation delay    | SVSLE = 1, $dV_{CORE}/dt = 10 \text{ mV}/\mu\text{s}$ , SVSLFP = 1     |     | 2.5  |     | μs   |
|                |                                       | SVSLE = 1, $dV_{CORE}/dt = 1 \text{ mV}/\mu\text{s}$ , SVSLFP = 0      |     | 20   |     |      |
| $t_{(SVSL)}$   | SVS <sub>L</sub> on or off delay time | SVSLE = 0 → 1, $dV_{CORE}/dt = 10 \text{ mV}/\mu\text{s}$ , SVSLFP = 1 |     | 12.5 |     | μs   |
|                |                                       | SVSLE = 0 → 1, $dV_{CORE}/dt = 1 \text{ mV}/\mu\text{s}$ , SVSLFP = 0  |     | 100  |     |      |

### 5.24 PMM, SVM Low Side

over recommended ranges of supply voltage and operating free-air temperature (unless otherwise noted)

| PARAMETER       |                                       | TEST CONDITIONS   | MIN | TYP  | MAX | UNIT |
|-----------------|---------------------------------------|---|-----|------|-----|------|
| $I_{(SVM_L)}$   | SVM <sub>L</sub> current consumption  | SVMLE = 0, PMMCOREV = 2   |     | 0    |     | nA   |
|                 |                                       | SVMLE = 1, PMMCOREV = 2, SVM_LFP = 0                                    |     | 200  |     | nA   |
|                 |                                       | SVMLE = 1, PMMCOREV = 2, SVM_LFP = 1                                    |     | 1.5  |     | μA   |
| $t_{pd(SVM_L)}$ | SVM <sub>L</sub> propagation delay    | SVMLE = 1, $dV_{CORE}/dt = 10 \text{ mV}/\mu\text{s}$ , SVM_LFP = 1     |     | 2.5  |     | μs   |
|                 |                                       | SVMLE = 1, $dV_{CORE}/dt = 1 \text{ mV}/\mu\text{s}$ , SVM_LFP = 0      |     | 20   |     |      |
| $t_{(SVM_L)}$   | SVM <sub>L</sub> on or off delay time | SVMLE = 0 → 1, $dV_{CORE}/dt = 10 \text{ mV}/\mu\text{s}$ , SVM_LFP = 1 |     | 12.5 |     | μs   |
|                 |                                       | SVMLE = 0 → 1, $dV_{CORE}/dt = 1 \text{ mV}/\mu\text{s}$ , SVM_LFP = 0  |     | 100  |     |      |

### 5.25 Wake-up Times From Low-Power Modes and Reset

over recommended ranges of supply voltage and operating free-air temperature (unless otherwise noted)

| PARAMETER                  |  | TEST CONDITIONS   | MIN | TYP | MAX                                    | UNIT |
|----------------------------|--|---|-----|-----|--|------|
| $t_{\text{WAKE-UP-FAST}}$  | Wake-up time from LPM2, LPM3, or LPM4 to active mode <sup>(1)</sup>                  | PMMCOREV = SVSMLRRL = n (where n = 0, 1, 2, or 3), SVSLFP = 1 |     |     | $f_{\text{MCLK}} \geq 4.0 \text{ MHz}$ | 5    |
|                            |  |   |     |     | $f_{\text{MCLK}} < 4.0 \text{ MHz}$    | 6    |
| $t_{\text{WAKE-UP-SLOW}}$  | Wake-up time from LPM2, LPM3, or LPM4 to active mode <sup>(2)(3)</sup>               | PMMCOREV = SVSMLRRL = n (where n = 0, 1, 2, or 3), SVSLFP = 0 |     | 150 | 165                                    | μs   |
| $t_{\text{WAKE-UP-RESET}}$ | Wake-up time from $\overline{\text{RST}}$ or BOR event to active mode <sup>(4)</sup> |   |     | 2   | 3                                      | ms   |

- (1) This value represents the time from the wake-up event to the first active edge of MCLK. The wake-up time depends on the performance mode of the low-side supervisor (SVS<sub>L</sub>) and low-side monitor (SVM<sub>L</sub>).  $t_{\text{WAKE-UP-FAST}}$  is possible with SVS<sub>L</sub> and SVM<sub>L</sub> in full performance mode or disabled. For specific register settings, see the *Low-Side SVS and SVM Control and Performance Mode Selection* section in the *Power Management Module and Supply Voltage Supervisor* chapter of the *CC430 Family User's Guide*.
- (2) This value represents the time from the wake-up event to the first active edge of MCLK. The wake-up time depends on the performance mode of the low-side supervisor (SVS<sub>L</sub>) and low-side monitor (SVM<sub>L</sub>).  $t_{\text{WAKE-UP-SLOW}}$  is set with SVS<sub>L</sub> and SVM<sub>L</sub> in normal mode (low current mode). For specific register settings, see the *Low-Side SVS and SVM Control and Performance Mode Selection* section in the *Power Management Module and Supply Voltage Supervisor* chapter of the *CC430 Family User's Guide*.
- (3) The wake-up times from LPM0 and LPM1 to AM are not specified. They are proportional to MCLK cycle time but are not affected by the performance mode settings as for LPM2, LPM3, and LPM4.
- (4) This value represents the time from the wake-up event to the reset vector execution.

### 5.26 Timer\_A

over recommended ranges of supply voltage and operating free-air temperature (unless otherwise noted)

| PARAMETER           |                               | TEST CONDITIONS   | V <sub>CC</sub> | MIN | MAX | UNIT |
|---------------------|-------------------------------|---|-----------------|-----|-----|------|
| $f_{\text{TA}}$     | Timer_A input clock frequency | Internal: SMCLK or ACLK,<br>External: TACLK,<br>Duty cycle = 50% ±10% | 1.8 V, 3 V      |     | 25  | MHz  |
| $t_{\text{TA,cap}}$ | Timer_A capture timing        | All capture inputs,<br>Minimum pulse duration required for capture    | 1.8 V, 3 V      | 20  |     | ns   |

## 5.27 USCI (UART Mode) Clock Frequency

| PARAMETER           |  | TEST CONDITIONS  | MIN | MAX                 | UNIT |
|---------------------|--|--|-----|---------------------|------|
| f <sub>USCI</sub>   | USCI input clock frequency                         | Internal: SMCLK or ACLK,<br>External: UCLK,<br>Duty cycle = 50% ±10% |     | f <sub>SYSTEM</sub> | MHz  |
| f <sub>BITCLK</sub> | BITCLK clock frequency (equals baud rate in Mbaud) |  |     | 1                   | MHz  |

## 5.28 USCI (UART Mode)

over recommended ranges of supply voltage and operating free-air temperature (unless otherwise noted)

| PARAMETER      |   | V <sub>CC</sub> | MIN | MAX | UNIT |
|----------------|---|-----------------|-----|-----|------|
| t <sub>r</sub> | UART receive deglitch time <sup>(1)</sup> | 2.2 V           | 50  | 600 | ns   |
|                |   | 3 V             | 50  | 600 |      |

- (1) Pulses on the UART receive input (UCxRX) shorter than the UART receive deglitch time are suppressed. To ensure that pulses are correctly recognized, their duration should exceed the maximum specification of the deglitch time.

## 5.29 USCI (SPI Master Mode) Clock Frequency

| PARAMETER         |                            | TEST CONDITIONS                                   | MIN | MAX                 | UNIT |
|-------------------|----------------------------|---|-----|---------------------|------|
| f <sub>USCI</sub> | USCI input clock frequency | Internal: SMCLK or ACLK,<br>Duty cycle = 50% ±10% |     | f <sub>SYSTEM</sub> | MHz  |

## 5.30 USCI (SPI Master Mode)

over recommended ranges of supply voltage and operating free-air temperature (unless otherwise noted)<sup>(1)</sup> (see [Figure 5-14](#) and [Figure 5-15](#))

| PARAMETER             |  | TEST CONDITIONS                                    | PMMCOREVx | V <sub>CC</sub> | MIN | MAX | UNIT |
|-----------------------|--|--|-----------|-----------------|-----|-----|------|
| t <sub>SU,MI</sub>    | SOMI input data setup time                 |  | 0         | 1.8 V           | 55  | ns  |      |
|                       |  |  |           | 3 V             | 38  |     |      |
|                       |  |  | 3         | 2.4 V           | 30  |     |      |
|                       |  |  |           | 3 V             | 25  |     |      |
| t <sub>HD,MI</sub>    | SOMI input data hold time                  |  | 0         | 1.8 V           | 0   | ns  |      |
|                       |  |  |           | 3 V             | 0   |     |      |
|                       |  |  | 3         | 2.4 V           | 0   |     |      |
|                       |  |  |           | 3 V             | 0   |     |      |
| t <sub>VALID,MO</sub> | SIMO output data valid time <sup>(2)</sup> | UCLK edge to SIMO valid,<br>C <sub>L</sub> = 20 pF | 0         | 1.8 V           | 20  | ns  |      |
|                       |  |  |           | 3 V             | 18  |     |      |
|                       |  |  | 3         | 2.4 V           | 16  |     |      |
|                       |  |  |           | 3 V             | 15  |     |      |
| t <sub>HD,MO</sub>    | SIMO output data hold time <sup>(3)</sup>  | C <sub>L</sub> = 20 pF                             | 0         | 1.8 V           | -10 | ns  |      |
|                       |  |  |           | 3 V             | -8  |     |      |
|                       |  |  | 3         | 2.4 V           | -10 |     |      |
|                       |  |  |           | 3 V             | -8  |     |      |

- (1)  $f_{UCxCLK} = 1/2t_{LO/HI}$  with  $t_{LO/HI} \geq \max(t_{VALID,MO}(USCI) + t_{SU,SI}(Slave), t_{SU,MI}(USCI) + t_{VALID,SO}(Slave))$   
 For the slave parameters  $t_{SU,SI}(Slave)$  and  $t_{VALID,SO}(Slave)$ , see the SPI parameters of the attached slave.
- (2) Specifies the time to drive the next valid data to the SIMO output after the output changing UCLK clock edge. See the timing diagrams in [Figure 5-14](#) and [Figure 5-15](#).
- (3) Specifies how long data on the SIMO output is valid after the output changing UCLK clock edge. Negative values indicate that the data on the SIMO output can become invalid before the output changing clock edge observed on UCLK. See the timing diagrams in [Figure 5-14](#) and [Figure 5-15](#).



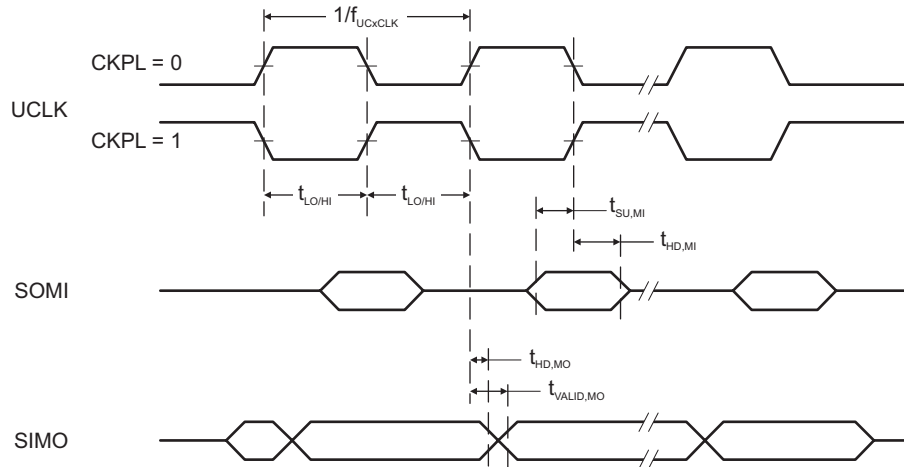


Figure 5-14. SPI Master Mode, CKPH = 0

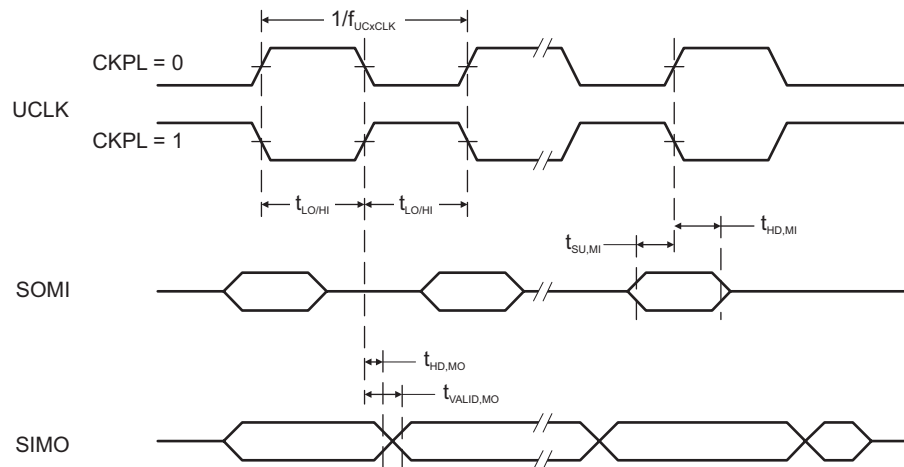


Figure 5-15. SPI Master Mode, CKPH = 1

### 5.31 USCI (SPI Slave Mode)

over recommended ranges of supply voltage and operating free-air temperature (unless otherwise noted)<sup>(1)</sup> (see [Figure 5-16](#) and [Figure 5-17](#))

| PARAMETER             |   | TEST CONDITIONS                                    | PMMCOREVx | V <sub>CC</sub> | MIN | MAX | UNIT |
|-----------------------|---|--|-----------|-----------------|-----|-----|------|
| t <sub>STE,LEAD</sub> | STE lead time, STE low to clock                   |  | 0         | 1.8 V           | 11  | 8   | ns   |
|                       |   |  |           | 3 V             | 8   |     |      |
|                       |   |  | 3         | 2.4 V           | 7   | 6   |      |
|                       |   |  |           | 3 V             | 6   |     |      |
| t <sub>STE,LAG</sub>  | STE lag time, Last clock to STE high              |  | 0         | 1.8 V           | 3   | 3   | ns   |
|                       |   |  |           | 3 V             | 3   |     |      |
|                       |   |  | 3         | 2.4 V           | 3   | 3   |      |
|                       |   |  |           | 3 V             | 3   |     |      |
| t <sub>STE,ACC</sub>  | STE access time, STE low to SOMI data out         |  | 0         | 1.8 V           | 66  | 50  | ns   |
|                       |   |  |           | 3 V             | 50  |     |      |
|                       |   |  | 3         | 2.4 V           | 36  | 30  |      |
|                       |   |  |           | 3 V             | 30  |     |      |
| t <sub>STE,DIS</sub>  | STE disable time, STE high to SOMI high impedance |  | 0         | 1.8 V           | 30  | 23  | ns   |
|                       |   |  |           | 3 V             | 23  |     |      |
|                       |   |  | 3         | 2.4 V           | 16  | 13  |      |
|                       |   |  |           | 3 V             | 13  |     |      |
| t <sub>SU,SI</sub>    | SIMO input data setup time                        |  | 0         | 1.8 V           | 5   | 5   | ns   |
|                       |   |  |           | 3 V             | 5   |     |      |
|                       |   |  | 3         | 2.4 V           | 2   | 2   |      |
|                       |   |  |           | 3 V             | 2   |     |      |
| t <sub>HD,SI</sub>    | SIMO input data hold time                         |  | 0         | 1.8 V           | 5   | 5   | ns   |
|                       |   |  |           | 3 V             | 5   |     |      |
|                       |   |  | 3         | 2.4 V           | 5   | 5   |      |
|                       |   |  |           | 3 V             | 5   |     |      |
| t <sub>VALID,SO</sub> | SOMI output data valid time <sup>(2)</sup>        | UCLK edge to SOMI valid,<br>C <sub>L</sub> = 20 pF | 0         | 1.8 V           | 76  | 60  | ns   |
|                       |   |  |           | 3 V             | 60  |     |      |
|                       |   |  | 3         | 2.4 V           | 44  | 40  |      |
|                       |   |  |           | 3 V             | 40  |     |      |
| t <sub>HD,SO</sub>    | SOMI output data hold time <sup>(3)</sup>         | C <sub>L</sub> = 20 pF                             | 0         | 1.8 V           | 18  | 12  | ns   |
|                       |   |  |           | 3 V             | 12  |     |      |
|                       |   |  | 3         | 2.4 V           | 10  | 8   |      |
|                       |   |  |           | 3 V             | 8   |     |      |

- (1)  $f_{UCxCLK} = 1/2t_{LO/Hi}$  with  $t_{LO/Hi} \geq \max(t_{VALID,MO(Master)} + t_{SU,SI(USCI)}, t_{SU,MI(Master)} + t_{VALID,SO(USCI)})$   
 For the master parameters  $t_{SU,MI(Master)}$  and  $t_{VALID,MO(Master)}$ , see the SPI parameters of the attached master.
- (2) Specifies the time to drive the next valid data to the SOMI output after the output changing UCLK clock edge. See the timing diagrams in [Figure 5-16](#) and [Figure 5-17](#).
- (3) Specifies how long data on the SOMI output is valid after the output changing UCLK clock edge. See the timing diagrams in [Figure 5-16](#) and [Figure 5-17](#).

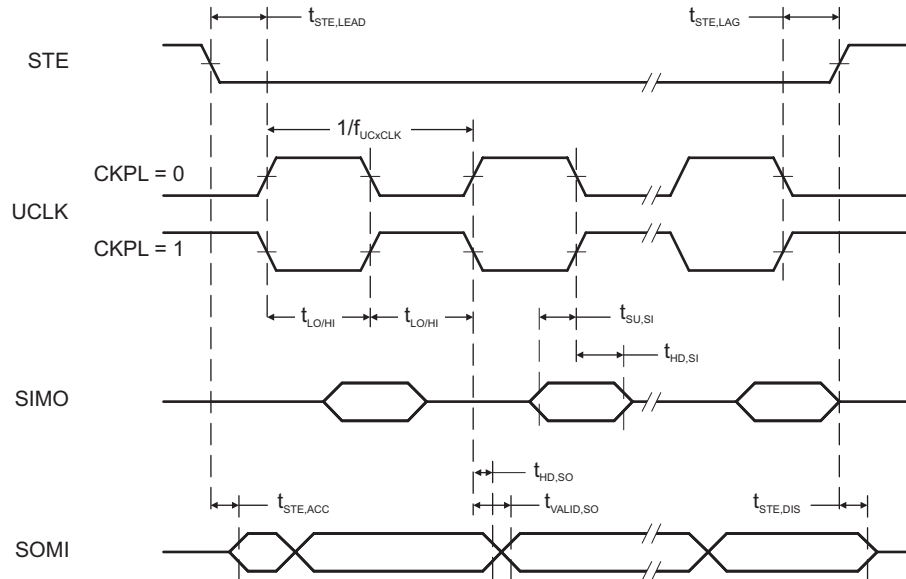


Figure 5-16. SPI Slave Mode, CKPH = 0

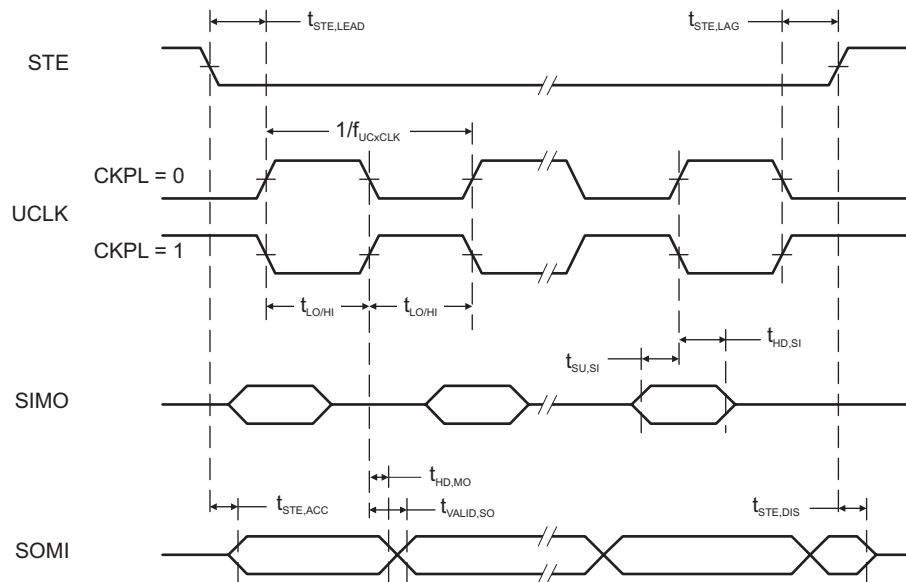


Figure 5-17. SPI Slave Mode, CKPH = 1

### 5.32 USCI (I<sup>2</sup>C Mode)

over recommended ranges of supply voltage and operating free-air temperature (unless otherwise noted) (see [Figure 5-18](#))

| PARAMETER           |   | TEST CONDITIONS  | V <sub>CC</sub> | MIN                 | MAX | UNIT |
|---------------------|---|--|-----------------|---------------------|-----|------|
| f <sub>USCI</sub>   | USCI input clock frequency                          | Internal: SMCLK, ACLK<br>External: UCLK<br>Duty cycle = 50% ±10% |                 | f <sub>SYSTEM</sub> |     | MHz  |
| f <sub>SCL</sub>    | SCL clock frequency                                 |  | 2.2 V, 3 V      | 0                   | 400 | kHz  |
| t <sub>HD,STA</sub> | Hold time (repeated) START                          | f <sub>SCL</sub> ≤ 100 kHz                                       | 2.2 V, 3 V      | 4.0                 |     | μs   |
|                     |   | f <sub>SCL</sub> > 100 kHz                                       |                 | 0.6                 |     |      |
| t <sub>SU,STA</sub> | Setup time for a repeated START                     | f <sub>SCL</sub> ≤ 100 kHz                                       | 2.2 V, 3 V      | 4.7                 |     | μs   |
|                     |   | f <sub>SCL</sub> > 100 kHz                                       |                 | 0.6                 |     |      |
| t <sub>HD,DAT</sub> | Data hold time                                      |  | 2.2 V, 3 V      | 0                   |     | ns   |
| t <sub>SU,DAT</sub> | Data setup time                                     |  | 2.2 V, 3 V      | 250                 |     | ns   |
| t <sub>SU,STO</sub> | Setup time for STOP                                 | f <sub>SCL</sub> ≤ 100 kHz                                       | 2.2 V, 3 V      | 4.0                 |     | μs   |
|                     |   | f <sub>SCL</sub> > 100 kHz                                       |                 | 0.6                 |     |      |
| t <sub>SP</sub>     | Pulse duration of spikes suppressed by input filter |  | 2.2 V           | 50                  | 600 | ns   |
|                     |   |  | 3 V             | 50                  | 600 |      |

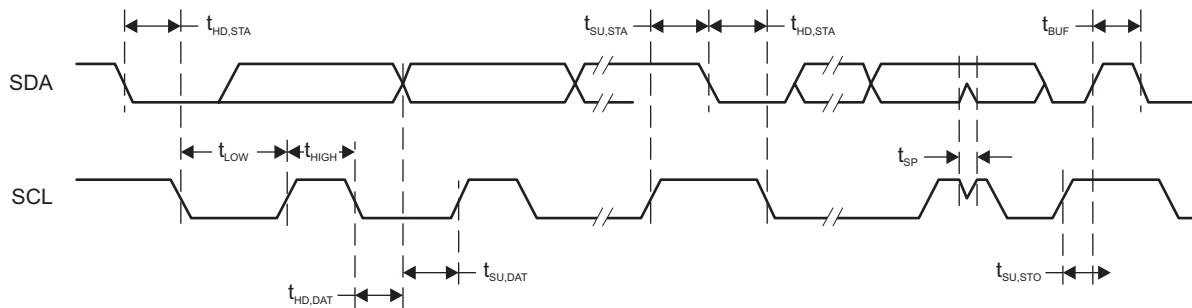


Figure 5-18. I<sup>2</sup>C Mode Timing

### 5.33 LCD\_B Operating Conditions

| PARAMETER                 | CONDITIONS   | MIN   | NOM | MAX | UNIT      |     |                     |         |
|---------------------------|--|---|-----|-----|-----------|-----|---------------------|---------|
| $V_{CC,LCD\_B,CP}$ en,3.6 | Supply voltage range, charge pump enabled, $V_{LCD} \leq 3.6$ V                                | LCDPEN = 1, $0000 < VLCDx \leq 1111$<br>(charge pump enabled, $V_{LCD} \leq 3.6$ V) |     |     | 2.2       | 3.6 | V                   |         |
| $V_{CC,LCD\_B,CP}$ en,3.3 | Supply voltage range, charge pump enabled, $V_{LCD} \leq 3.3$ V                                | LCDPEN = 1, $0000 < VLCDx \leq 1100$<br>(charge pump enabled, $V_{LCD} \leq 3.3$ V) |     |     | 2.0       | 3.6 | V                   |         |
| $V_{CC,LCD\_B,int. bias}$ | Supply voltage range, internal biasing, charge pump disabled                                   | LCDPEN = 0, VLCDEXT = 0   |     |     | 2.4       | 3.6 | V                   |         |
| $V_{CC,LCD\_B,ext. bias}$ | Supply voltage range, external biasing, charge pump disabled                                   | LCDPEN = 0, VLCDEXT = 0   |     |     | 2.4       | 3.6 | V                   |         |
| $V_{CC,LCD\_B,VLCDEXT}$   | Supply voltage range, external LCD voltage, internal or external biasing, charge pump disabled | LCDPEN = 0, VLCDEXT = 1   |     |     | 2.0       | 3.6 | V                   |         |
| $V_{LCDCAP/R33}$          | External LCD voltage at LCDCAP/R33, internal or external biasing, charge pump disabled         | LCDPEN = 0, VLCDEXT = 1   |     |     | 2.4       | 3.6 | V                   |         |
| $C_{LCDCAP}$              | Capacitor on LCDCAP when charge pump enabled   | LCDPEN = 1, $VLCDx > 0000$ (charge pump enabled)                                    |     |     | 4.7       | 4.7 | 10                  | $\mu$ F |
| $f_{Frame}$               | LCD frame frequency range  | $f_{LCD} = 2 \times mux \times f_{FRAME}$ with<br>$mux = 1$ (static), 2, 3, 4       |     |     | 0         |     | 100                 | Hz      |
| $f_{ACLK,in}$             | ACLK input frequency range   |   |     |     | 30        | 32  | 40                  | kHz     |
| $C_{Panel}$               | Panel capacitance  | 100-Hz frame frequency  |     |     |           |     | 10000               | pF      |
| $V_{R33}$                 | Analog input voltage at R33  | LCDPEN = 0, VLCDEXT = 1   |     |     | 2.4       |     | $V_{CC} + 0.2$      | V       |
| $V_{R23,1/3bias}$         | Analog input voltage at R23  | LCDREXT = 1, LCDEXTBIAS = 1,<br>LCD2B = 0   |     |     | $V_{R13}$ |     | $V_{R33} - V_{R03}$ | V       |
| $V_{R13,1/3bias}$         | Analog input voltage at R13 with 1/3 biasing   | LCDREXT = 1, LCDEXTBIAS = 1,<br>LCD2B = 0   |     |     | $V_{R03}$ |     | $V_{R33} - V_{R03}$ | V       |
| $V_{R13,1/2bias}$         | Analog input voltage at R13 with 1/2 biasing   | LCDREXT = 1, LCDEXTBIAS = 1,<br>LCD2B = 1   |     |     | $V_{R03}$ |     | $V_{R33} - V_{R03}$ | V       |
| $V_{R03}$                 | Analog input voltage at R03  | R0EXT = 1   |     |     | $V_{SS}$  |     |                     | V       |
| $V_{LCD} - V_{R03}$       | Voltage difference between $V_{LCD}$ and R03   | LCDPEN = 0, R0EXT = 1   |     |     | 2.4       |     | $V_{CC} + 0.2$      | V       |
| $V_{LCDREF/R13}$          | External LCD reference voltage applied at LCDREF/R13   | VLCDFREFx = 01  |     |     | 0.8       | 1.2 | 1.5                 | V       |

### 5.34 LCD\_B Electrical Characteristics

over operating free-air temperature range (unless otherwise noted)

| PARAMETER                 | TEST CONDITIONS                                    | V <sub>CC</sub>  | MIN            | TYP             | MAX | UNIT |
|---------------------------|--|--|----------------|-----------------|-----|------|
| V <sub>LCD</sub>          | LCD voltage  | VLCDx = 0000, VLCDEXT = 0                                      | 2.4 V to 3.6 V | V <sub>CC</sub> |     |      |
|                           |  | LCDCPEN = 1, VLCDx = 0001                                      | 2 V to 3.6 V   | 2.54            |     |      |
|                           |  | LCDCPEN = 1, VLCDx = 0010                                      | 2 V to 3.6 V   | 2.60            |     |      |
|                           |  | LCDCPEN = 1, VLCDx = 0011                                      | 2 V to 3.6 V   | 2.66            |     |      |
|                           |  | LCDCPEN = 1, VLCDx = 0100                                      | 2 V to 3.6 V   | 2.72            |     |      |
|                           |  | LCDCPEN = 1, VLCDx = 0101                                      | 2 V to 3.6 V   | 2.78            |     |      |
|                           |  | LCDCPEN = 1, VLCDx = 0110                                      | 2 V to 3.6 V   | 2.84            |     |      |
|                           |  | LCDCPEN = 1, VLCDx = 0111                                      | 2 V to 3.6 V   | 2.90            |     |      |
|                           |  | LCDCPEN = 1, VLCDx = 1000                                      | 2 V to 3.6 V   | 2.96            |     |      |
|                           |  | LCDCPEN = 1, VLCDx = 1001                                      | 2 V to 3.6 V   | 3.02            |     |      |
|                           |  | LCDCPEN = 1, VLCDx = 1010                                      | 2 V to 3.6 V   | 3.08            |     |      |
|                           |  | LCDCPEN = 1, VLCDx = 1011                                      | 2 V to 3.6 V   | 3.14            |     |      |
|                           |  | LCDCPEN = 1, VLCDx = 1100                                      | 2 V to 3.6 V   | 3.20            |     |      |
|                           |  | LCDCPEN = 1, VLCDx = 1101                                      | 2.2 V to 3.6 V | 3.26            |     |      |
|                           |  | LCDCPEN = 1, VLCDx = 1110                                      | 2.2 V to 3.6 V | 3.32            |     |      |
| LCDCPEN = 1, VLCDx = 1111 | 2.2 V to 3.6 V                                     | 3.38   | 3.6            |                 |     |      |
| I <sub>CC,Peak,CP</sub>   | Peak supply currents due to charge pump activities | LCDCPEN = 1, VLCDx = 1111                                      | 2.2 V          | 200             |     | μA   |
| t <sub>LCD,CP,on</sub>    | Time to charge C <sub>LCD</sub> when discharged    | C <sub>LCDCAP</sub> = 4.7μF,<br>LCDCPEN = 0→1,<br>VLCDx = 1111 | 2.2 V          | 100             | 500 | ms   |
| I <sub>CP,Load</sub>      | Maximum charge pump load current                   | LCDCPEN = 1, VLCDx = 1111                                      | 2.2 V          | 50              |     | μA   |
| R <sub>LCD,Seg</sub>      | LCD driver output impedance, segment lines         | LCDCPEN = 1, VLCDx = 1000,<br>I <sub>LOAD</sub> = ±10 μA       | 2.2 V          |                 | 10  | kΩ   |
| R <sub>LCD,COM</sub>      | LCD driver output impedance, common lines          | LCDCPEN = 1, VLCDx = 1000,<br>I <sub>LOAD</sub> = ±10 μA       | 2.2 V          |                 | 10  | kΩ   |

### 5.35 12-Bit ADC, Power Supply and Input Range Conditions

over recommended ranges of supply voltage and operating free-air temperature (unless otherwise noted)<sup>(1)</sup>

| PARAMETER            |  | TEST CONDITIONS   | V <sub>CC</sub> | MIN | TYP | MAX              | UNIT |
|----------------------|--|---|-----------------|-----|-----|------------------|------|
| AV <sub>CC</sub>     | Analog supply voltage, full performance                    | AVCC and DVCC are connected together, AVSS and DVSS are connected together, V <sub>(AVSS)</sub> = V <sub>(DVSS)</sub> = 0 V |                 | 2.2 |     | 3.6              | V    |
| V <sub>(Ax)</sub>    | Analog input voltage range <sup>(2)</sup>                  | All ADC12 analog input pins Ax  |                 | 0   |     | AV <sub>CC</sub> | V    |
| I <sub>ADC12_A</sub> | Operating supply current into AVCC terminal <sup>(3)</sup> | f <sub>ADC12CLK</sub> = 5.0 MHz, ADC12ON = 1, REFON = 0, SHT0 = 0, SHT1 = 0, ADC12DIV = 0                                   | 2.2 V           |     | 125 | 155              | μA   |
|                      |  |   | 3 V             |     | 150 | 220              |      |
| C <sub>I</sub>       | Input capacitance  | Only one terminal Ax can be selected at one time  | 2.2 V           |     | 20  | 25               | pF   |
| R <sub>I</sub>       | Input MUX ON resistance                                    | 0 V ≤ V <sub>Ax</sub> ≤ AV <sub>CC</sub>  |                 | 10  | 200 | 1900             | Ω    |

(1) The leakage current is specified by the digital I/O input leakage.

(2) The analog input voltage range must be within the selected reference voltage range V<sub>R+</sub> to V<sub>R-</sub> for valid conversion results. If the reference voltage is supplied by an external source or if the internal reference voltage is used and REFOUT = 1, then decoupling capacitors are required. See Section 5.40 and Section 5.41.

(3) The internal reference supply current is not included in current consumption parameter I<sub>ADC12\_A</sub>.

### 5.36 12-Bit ADC, Timing Parameters

over recommended ranges of supply voltage and operating free-air temperature (unless otherwise noted)

| PARAMETER             |  | TEST CONDITIONS   | V <sub>CC</sub> | MIN  | TYP                               | MAX | UNIT |
|-----------------------|--|---|-----------------|------|-----------------------------------|-----|------|
| f <sub>ADC12CLK</sub> | ADC conversion clock                     | For specified performance of ADC12 linearity parameters using an external reference voltage or AVCC as reference <sup>(1)</sup>                 | 2.2 V, 3 V      | 0.45 | 4.8                               | 5.0 | MHz  |
|                       |  | For specified performance of ADC12 linearity parameters using the internal reference <sup>(2)</sup>   |                 | 0.45 | 2.4                               | 4.0 |      |
|                       |  | For specified performance of ADC12 linearity parameters using the internal reference <sup>(3)</sup>   |                 | 0.45 | 2.4                               | 2.7 |      |
| f <sub>ADC12OSC</sub> | Internal ADC12 oscillator <sup>(4)</sup> | ADC12DIV = 0, f <sub>ADC12CLK</sub> = f <sub>ADC12OSC</sub>   | 2.2 V, 3 V      | 4.2  | 4.8                               | 5.4 | MHz  |
| t <sub>CONVERT</sub>  | Conversion time                          | REFON = 0, Internal oscillator, f <sub>ADC12OSC</sub> = 4.2 MHz to 5.4 MHz  | 2.2 V, 3 V      | 2.4  |                                   | 3.1 | μs   |
|                       |  | External f <sub>ADC12CLK</sub> from ACLK, MCLK or SMCLK, ADC12SSEL ≠ 0  |                 |      | 13 ×<br>1 / f <sub>ADC12CLK</sub> |     |      |
| t <sub>Sample</sub>   | Sampling time                            | R <sub>S</sub> = 400 Ω, R <sub>I</sub> = 1000 Ω, C <sub>I</sub> = 30 pF, τ = (R <sub>S</sub> + R <sub>I</sub> ) × C <sub>I</sub> <sup>(5)</sup> | 2.2 V, 3 V      | 1000 |                                   |     | ns   |

(1) REFOUT = 0, external reference voltage: SREF2 = 0, SREF1 = 1, SREF0 = 0. AVCC as reference voltage: SREF2 = 0, SREF1 = 0, SREF0 = 0. The specified performance of the ADC12 linearity is ensured when using the ADC12OSC. For other clock sources, the specified performance of the ADC12 linearity is ensured with f<sub>ADC12CLK</sub> maximum of 5.0 MHz.

(2) SREF2 = 0, SREF1 = 1, SREF0 = 0, ADC12SR = 0, REFOUT = 1

(3) SREF2 = 0, SREF1 = 1, SREF0 = 0, ADC12SR = 0, REFOUT = 0. The specified performance of the ADC12 linearity is ensured when using the ADC12OSC divided by 2.

(4) The ADC12OSC is sourced directly from MODOSC inside the UCS.

(5) Approximately 10 Tau (τ) are needed to get an error of less than ±0.5 LSB:

$$t_{\text{sample}} = \ln(2^{n+1}) \times (R_S + R_I) \times C_I + 800 \text{ ns, where } n = \text{ADC resolution} = 12, R_S = \text{external source resistance}$$

### 5.37 12-Bit ADC, Linearity Parameters Using an External Reference Voltage or AVCC as Reference Voltage

over recommended ranges of supply voltage and operating free-air temperature (unless otherwise noted)

| PARAMETER      |   | TEST CONDITIONS                      | V <sub>CC</sub> | MIN | TYP  | MAX  | UNIT |
|----------------|---|--------------------------------------|-----------------|-----|------|------|------|
| E <sub>I</sub> | Integral linearity error <sup>(1)</sup>     | 1.4 V ≤ dVREF ≤ 1.6 V <sup>(2)</sup> | 2.2 V, 3 V      |     |      | ±2.0 | LSB  |
|                |   | 1.6 V < dVREF <sup>(2)</sup>         |                 |     |      | ±1.7 |      |
| E <sub>D</sub> | Differential linearity error <sup>(1)</sup> | See <sup>(2)</sup>                   | 2.2 V, 3 V      |     |      | ±1.0 | LSB  |
| E <sub>O</sub> | Offset error <sup>(3)</sup>                 | dVREF ≤ 2.2 V <sup>(2)</sup>         | 2.2 V, 3 V      |     | ±1.0 | ±2.0 | LSB  |
|                |   | dVREF > 2.2 V <sup>(2)</sup>         | 2.2 V, 3 V      |     | ±1.0 | ±2.0 |      |
| E <sub>G</sub> | Gain error <sup>(3)</sup>                   | See <sup>(2)</sup>                   | 2.2 V, 3 V      |     | ±1.0 | ±2.0 | LSB  |
| E <sub>T</sub> | Total unadjusted error                      | dVREF ≤ 2.2 V <sup>(2)</sup>         | 2.2 V, 3 V      |     | ±1.4 | ±3.5 | LSB  |
|                |   | dVREF > 2.2 V <sup>(2)</sup>         | 2.2 V, 3 V      |     | ±1.4 | ±3.5 |      |

- (1) Parameters are derived using the histogram method.
- (2) The external reference voltage is selected by: SREF2 = 0 or 1, SREF1 = 1, SREF0 = 0. dVREF = V<sub>R+</sub> – V<sub>R-</sub>, V<sub>R+</sub> < AVCC, V<sub>R-</sub> > AVSS. Unless otherwise mentioned, dVREF > 1.5 V. Impedance of the external reference voltage R < 100 Ω and two decoupling capacitors, 10 μF and 100 nF, should be connected to VREF+/VREF- to decouple the dynamic current. Also see the [CC430 Family User's Guide](#).
- (3) Parameters are derived using a best fit curve.

### 5.38 12-Bit ADC, Linearity Parameters Using the Internal Reference Voltage

over recommended ranges of supply voltage and operating free-air temperature (unless otherwise noted)

| PARAMETER      |   | TEST CONDITIONS <sup>(1)</sup> |                                 | V <sub>CC</sub> | MIN | TYP  | MAX                  | UNIT |
|----------------|---|--------------------------------|---------------------------------|-----------------|-----|------|----------------------|------|
| E <sub>I</sub> | Integral linearity error <sup>(2)</sup>     | ADC12SR = 0, REFOUT = 1        | f <sub>ADC12CLK</sub> ≤ 4.0 MHz | 2.2 V, 3 V      |     |      | ±1.7                 | LSB  |
|                |   | ADC12SR = 0, REFOUT = 0        | f <sub>ADC12CLK</sub> ≤ 2.7 MHz |                 |     |      | ±2.5                 |      |
| E <sub>D</sub> | Differential linearity error <sup>(2)</sup> | ADC12SR = 0, REFOUT = 1        | f <sub>ADC12CLK</sub> ≤ 4.0 MHz | 2.2 V, 3 V      |     | -1.0 | +2.0                 | LSB  |
|                |   | ADC12SR = 0, REFOUT = 1        | f <sub>ADC12CLK</sub> ≤ 2.7 MHz |                 |     | -1.0 | +1.5                 |      |
|                |   | ADC12SR = 0, REFOUT = 0        | f <sub>ADC12CLK</sub> ≤ 2.7 MHz |                 |     | -1.0 | +2.5                 |      |
| E <sub>O</sub> | Offset error <sup>(3)</sup>                 | ADC12SR = 0, REFOUT = 1        | f <sub>ADC12CLK</sub> ≤ 4.0 MHz | 2.2 V, 3 V      |     | ±1.0 | ±2.0                 | LSB  |
|                |   | ADC12SR = 0, REFOUT = 0        | f <sub>ADC12CLK</sub> ≤ 2.7 MHz |                 |     | ±1.0 | ±2.0                 |      |
| E <sub>G</sub> | Gain error <sup>(3)</sup>                   | ADC12SR = 0, REFOUT = 1        | f <sub>ADC12CLK</sub> ≤ 4.0 MHz | 2.2 V, 3 V      |     | ±1.0 | ±2.0                 | LSB  |
|                |   | ADC12SR = 0, REFOUT = 0        | f <sub>ADC12CLK</sub> ≤ 2.7 MHz |                 |     |      | ±1.5% <sup>(4)</sup> | VREF |
| E <sub>T</sub> | Total unadjusted error                      | ADC12SR = 0, REFOUT = 1        | f <sub>ADC12CLK</sub> ≤ 4.0 MHz | 2.2 V, 3 V      |     | ±1.4 | ±3.5                 | LSB  |
|                |   | ADC12SR = 0, REFOUT = 0        | f <sub>ADC12CLK</sub> ≤ 2.7 MHz |                 |     |      | ±1.5% <sup>(4)</sup> | VREF |

- (1) The internal reference voltage is selected by: SREF2 = 0 or 1, SREF1 = 1, SREF0 = 1. dVREF = V<sub>R+</sub> – V<sub>R-</sub>.
- (2) Parameters are derived using the histogram method.
- (3) Parameters are derived using a best fit curve.
- (4) The gain error and total unadjusted error are dominated by the accuracy of the integrated reference module absolute accuracy. In this mode the reference voltage used by the ADC12\_A is not available on a pin.



### 5.39 12-Bit ADC, Temperature Sensor and Built-In $V_{MID}$ <sup>(1)</sup>

over recommended ranges of supply voltage and operating free-air temperature (unless otherwise noted)

| PARAMETER            |   | TEST CONDITIONS   | $V_{CC}$   | MIN  | TYP | MAX  | UNIT          |
|----------------------|---|---|------------|------|-----|------|---------------|
| $V_{SENSOR}$         | See <sup>(2)</sup> <sup>(3)</sup>                             | ADC12ON = 1, INCH = 0Ah,<br>$T_A = 0^\circ\text{C}$                 | 2.2 V      | 680  |     |      | mV            |
|                      |   |   | 3 V        | 680  |     |      |               |
| $TC_{SENSOR}$        | See <sup>(3)</sup>  | ADC12ON = 1, INCH = 0Ah   | 2.2 V      | 2.25 |     |      | mV/°C         |
|                      |   |   | 3 V        | 2.25 |     |      |               |
| $t_{SENSOR(sample)}$ | Sample time required if channel 10 is selected <sup>(4)</sup> | ADC12ON = 1, INCH = 0Ah,<br>Error of conversion result $\leq 1$ LSB | 2.2 V      | 30   |     |      | $\mu\text{s}$ |
|                      |   |   | 3 V        | 30   |     |      |               |
| $V_{MID}$            | $AV_{CC}$ divider at channel 11,<br>$V_{AVCC}$ factor         | ADC12ON = 1, INCH = 0Bh   |            | 0.48 | 0.5 | 0.52 | $V_{AVCC}$    |
|                      | $AV_{CC}$ divider at channel 11                               | ADC12ON = 1, INCH = 0Bh   | 2.2 V      | 1.06 | 1.1 | 1.14 | V             |
|                      |   |   | 3 V        | 1.44 | 1.5 | 1.56 |               |
| $t_{VMID(sample)}$   | Sample time required if channel 11 is selected <sup>(5)</sup> | ADC12ON = 1, INCH = 0Bh,<br>Error of conversion result $\leq 1$ LSB | 2.2 V, 3 V | 1000 |     |      | ns            |

- (1) The temperature sensor is provided by the REF module. See the REF module parametric,  $I_{REF+}$ , regarding the current consumption of the temperature sensor.
- (2) The temperature sensor offset can be significant. TI recommends a single-point calibration to minimize the offset error of the built-in temperature sensor.
- (3) The device descriptor structure contains calibration values for  $30^\circ\text{C} \pm 3^\circ\text{C}$  and  $85^\circ\text{C} \pm 3^\circ\text{C}$  for each of the available reference voltage levels. The sensor voltage can be computed as  $V_{SENSE} = TC_{SENSOR} \times (\text{Temperature}, ^\circ\text{C}) + V_{SENSOR}$ , where  $TC_{SENSOR}$  and  $V_{SENSOR}$  can be computed from the calibration values for higher accuracy.
- (4) The typical equivalent impedance of the sensor is 51 k $\Omega$ . The sample time required includes the sensor-on time  $t_{SENSOR(on)}$ .
- (5) The on time  $t_{VMID(on)}$  is included in the sampling time  $t_{VMID(sample)}$ ; no additional on time is needed.

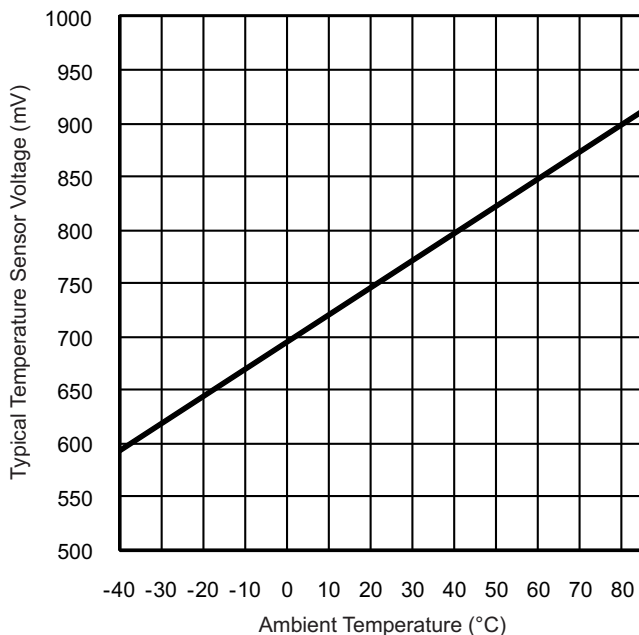


Figure 5-19. Typical Temperature Sensor Voltage

## 5.40 REF, External Reference

over recommended ranges of supply voltage and operating free-air temperature (unless otherwise noted)<sup>(1)</sup>

| PARAMETER   |   | TEST CONDITIONS  | V <sub>CC</sub> | MIN | TYP  | MAX              | UNIT |
|---|---|--|-----------------|-----|------|------------------|------|
| V <sub>eREF+</sub>  | Positive external reference voltage input                                 | V <sub>eREF+</sub> > V <sub>REF-</sub> /V <sub>eREF-</sub> <sup>(2)</sup>  |                 | 1.4 |      | AV <sub>CC</sub> | V    |
| V <sub>REF-</sub> /V <sub>eREF-</sub>                         | Negative external reference voltage input                                 | V <sub>eREF+</sub> > V <sub>REF-</sub> /V <sub>eREF-</sub> <sup>(3)</sup>  |                 | 0   |      | 1.2              | V    |
| (V <sub>eREF+</sub> – V <sub>REF-</sub> /V <sub>eREF-</sub> ) | Differential external reference voltage input                             | V <sub>eREF+</sub> > V <sub>REF-</sub> /V <sub>eREF-</sub> <sup>(4)</sup>  |                 | 1.4 |      | AV <sub>CC</sub> | V    |
| I <sub>VeREF+</sub><br>I <sub>VREF-/VeREF-</sub>              | Static input current  | 1.4 V ≤ V <sub>eREF+</sub> ≤ V <sub>AVCC</sub> , V <sub>eREF-</sub> = 0 V,<br>f <sub>ADC12CLK</sub> = 5 MHz, ADC12SHTx = 1h,<br>Conversion rate 200 ksps | 2.2 V, 3 V      |     | ±8.5 | ±26              | μA   |
|   |   | 1.4 V ≤ V <sub>eREF+</sub> ≤ V <sub>AVCC</sub> , V <sub>eREF-</sub> = 0 V,<br>f <sub>ADC12CLK</sub> = 5 MHz, ADC12SHTx = 8h,<br>Conversion rate 20 ksps  | 2.2 V, 3 V      |     |      | ±1               |      |
| C <sub>VREF+/-</sub>  | Capacitance at VREF+ or VREF- terminal, external reference <sup>(5)</sup> |  |                 | 10  |      |                  | μF   |

- (1) The external reference is used during ADC conversion to charge and discharge the capacitance array. The input capacitance, C<sub>i</sub>, is also the dynamic load for an external reference during conversion. The dynamic impedance of the reference supply should follow the recommendations on analog-source impedance to allow the charge to settle for 12-bit accuracy.
- (2) The accuracy limits the minimum positive external reference voltage. Lower reference voltage levels may be applied with reduced accuracy requirements.
- (3) The accuracy limits the maximum negative external reference voltage. Higher reference voltage levels may be applied with reduced accuracy requirements.
- (4) The accuracy limits minimum external differential reference voltage. Lower differential reference voltage levels may be applied with reduced accuracy requirements.
- (5) Two decoupling capacitors, 10 μF and 100 nF, should be connected to VREF to decouple the dynamic current required for an external reference source if it is used for the ADC12\_A. Also see the [CC430 Family User's Guide](#).

## 5.41 REF, Built-In Reference

over recommended ranges of supply voltage and operating free-air temperature (unless otherwise noted)<sup>(1)</sup>

| PARAMETER  | TEST CONDITIONS   | V <sub>CC</sub> | MIN | TYP  | MAX   | UNIT   |
|--|---|-----------------|-----|------|-------|--------|
| V <sub>REF+</sub><br>Positive built-in reference voltage output                      | REFVSEL = 2 for 2.5 V,<br>REFON = REFOUT = 1, I <sub>VREF+</sub> = 0 A  | 3 V             |     | 2.41 | ±1.5% | V      |
|  | REFVSEL = 1 for 2 V,<br>REFON = REFOUT = 1, I <sub>VREF+</sub> = 0 A  | 3 V             |     | 1.93 | ±1.5% |        |
|  | REFVSEL = 0 for 1.5 V,<br>REFON = REFOUT = 1, I <sub>VREF+</sub> = 0 A  | 2.2 V, 3 V      |     | 1.45 | ±1.5% |        |
| AV <sub>CC(min)</sub><br>AVCC minimum voltage,<br>Positive built-in reference active | REFVSEL = 0 for 1.5 V, reduced performance  |                 | 1.8 |      |       | V      |
|  | REFVSEL = 0 for 1.5 V   |                 | 2.2 |      |       |        |
|  | REFVSEL = 1 for 2 V   |                 | 2.3 |      |       |        |
|  | REFVSEL = 2 for 2.5 V   |                 | 2.8 |      |       |        |
| I <sub>REF+</sub><br>Operating supply current into AVCC terminal <sup>(2)(3)</sup>   | REFON = 1, REFOUT = 0, REFBURST = 0   | 3 V             |     | 100  | 140   | μA     |
|  | REFON = 1, REFOUT = 1, REFBURST = 0   | 3 V             |     | 0.9  | 1.5   | mA     |
| I <sub>L(VREF+)</sub><br>Load-current regulation,<br>VREF+ terminal <sup>(4)</sup>   | REFVSEL = 0, 1, or 2,<br>I <sub>VREF+</sub> = +10 μA or –1000 μA,<br>AV <sub>CC</sub> = AV <sub>CC(min)</sub> for each reference level,<br>REFON = REFOUT = 1                               |                 |     |      | 2500  | μV/mA  |
| C <sub>VREF+</sub><br>Capacitance at VREF+ terminals, internal reference             | REFON = REFOUT = 1  |                 | 20  |      | 100   | pF     |
| TC <sub>REF+</sub><br>Temperature coefficient of built-in reference <sup>(5)</sup>   | I <sub>VREF+</sub> = 0 A,<br>REFVSEL = 0, 1, or 2,<br>REFON = 1, REFOUT = 0 or 1  |                 |     | 30   | 50    | ppm/°C |
| PSRR <sub>DC</sub><br>Power supply rejection ratio (DC)                              | AV <sub>CC</sub> = AV <sub>CC(min)</sub> to AV <sub>CC(max)</sub> ,<br>T <sub>A</sub> = 25 °C, REFVSEL = 0, 1, or 2,<br>REFON = 1, REFOUT = 0 or 1  |                 |     | 120  | 300   | μV/V   |
| PSRR <sub>AC</sub><br>Power supply rejection ratio (AC)                              | AV <sub>CC</sub> = AV <sub>CC(min)</sub> to AV <sub>CC(max)</sub> ,<br>T <sub>A</sub> = 25 °C, f = 1 kHz, ΔV <sub>pp</sub> = 100 mV,<br>REFVSEL = 0, 1, or 2,<br>REFON = 1, REFOUT = 0 or 1 |                 |     | 6.4  |       | mV/V   |
| t <sub>SETTLE</sub><br>Settling time of reference voltage <sup>(6)</sup>             | AV <sub>CC</sub> = AV <sub>CC(min)</sub> to AV <sub>CC(max)</sub> ,<br>REFVSEL = 0, 1, or 2,<br>REFOUT = 0, REFON = 0 → 1   |                 |     | 75   |       | μs     |
|  | AV <sub>CC</sub> = AV <sub>CC(min)</sub> to AV <sub>CC(max)</sub> ,<br>C <sub>VREF</sub> = C <sub>VREF(maximum)</sub> ,<br>REFVSEL = 0, 1, or 2,<br>REFOUT = 1, REFON = 0 → 1               |                 |     | 75   |       |        |

- The reference is supplied to the ADC by the REF module and is buffered locally inside the ADC. The ADC uses two internal buffers, one smaller and one larger for driving the VREF+ terminal. When REFOUT = 1, the reference is available at the VREF+ terminal, as well as, used as the reference for the conversion and uses the larger buffer. When REFOUT = 0, the reference is only used as the reference for the conversion and uses the smaller buffer.
- The internal reference current is supplied from the AVCC terminal. Consumption is independent of the ADC12ON control bit, unless a conversion is active. The REFON bit enables to settle the built-in reference before starting an analog-to-digital conversion. REFOUT = 0 represents the current contribution of the smaller buffer. REFOUT = 1 represents the current contribution of the larger buffer without external load.
- The temperature sensor is provided by the REF module. Its current is supplied from the AVCC terminal and is equivalent to I<sub>REF+</sub> with REFON = 1 and REFOUT = 0.
- Contribution only due to the reference and buffer including package. This does not include resistance due to PCB trace or other causes.
- Calculated using the box method: (MAX(–40°C to 85°C) – MIN(–40°C to 85°C)) / MIN(–40°C to 85°C)/(85°C – (–40°C)).
- The condition is that the error in a conversion started after t<sub>REFON</sub> is less than ±0.5 LSB. The settling time depends on the external capacitive load when REFOUT = 1.

## 5.42 Comparator\_B

over recommended ranges of supply voltage and operating free-air temperature (unless otherwise noted)

| PARAMETER              |   | TEST CONDITIONS   | V <sub>CC</sub> | MIN  | TYP                                | MAX                 | UNIT |
|------------------------|---|---|-----------------|------|------------------------------------|---------------------|------|
| V <sub>CC</sub>        | Supply voltage  |   |                 | 1.8  |                                    | 3.6                 | V    |
| I <sub>AVCC_COMP</sub> | Comparator operating supply current into AVCC, Excludes reference resistor ladder | CBPWRMD = 00  | 1.8 V           |      |                                    | 40                  | μA   |
|                        |   |   | 2.2 V           |      | 30                                 | 50                  |      |
|                        |   |   | 3 V             |      | 40                                 | 65                  |      |
|                        |   | CBPWRMD = 01  | 2.2 V, 3 V      |      | 10                                 | 30                  |      |
|                        |   | CBPWRMD = 10  | 2.2 V, 3 V      |      | 0.1                                | 0.5                 |      |
| I <sub>AVCC_REF</sub>  | Quiescent current of local reference voltage amplifier into AVCC                  | CBREFACC = 1, CBREFLx = 01                                    |                 |      |                                    | 22                  | μA   |
| V <sub>IC</sub>        | Common mode input range   |   |                 | 0    |                                    | V <sub>CC</sub> – 1 | V    |
| V <sub>OFFSET</sub>    | Input offset voltage  | CBPWRMD = 00  |                 |      |                                    | ±20                 | mV   |
|                        |   | CBPWRMD = 01 or 10  |                 |      |                                    | ±10                 |      |
| C <sub>IN</sub>        | Input capacitance   |   |                 |      | 5                                  |                     | pF   |
| R <sub>SIN</sub>       | Series input resistance   | On (switch closed)  |                 |      | 3                                  | 4                   | kΩ   |
|                        |   | Off (switch open)   |                 | 30   |                                    |                     | MΩ   |
| t <sub>PD</sub>        | Propagation delay, response time  | CBPWRMD = 00, CBF = 0   |                 |      |                                    | 450                 | ns   |
|                        |   | CBPWRMD = 01, CBF = 0   |                 |      |                                    | 600                 |      |
|                        |   | CBPWRMD = 10, CBF = 0   |                 |      |                                    | 50                  | μs   |
| t <sub>PD,filter</sub> | Propagation delay with filter active  | CBPWRMD = 00, CBON = 1, CBF = 1, CBF DLY = 00                 |                 | 0.35 | 0.6                                | 1.0                 | μs   |
|                        |   | CBPWRMD = 00, CBON = 1, CBF = 1, CBF DLY = 01                 |                 | 0.6  | 1.0                                | 1.8                 |      |
|                        |   | CBPWRMD = 00, CBON = 1, CBF = 1, CBF DLY = 10                 |                 | 1.0  | 1.8                                | 3.4                 |      |
|                        |   | CBPWRMD = 00, CBON = 1, CBF = 1, CBF DLY = 11                 |                 | 1.8  | 3.4                                | 6.5                 |      |
| t <sub>EN_CMP</sub>    | Comparator enable time, settling time   | CBON = 0 to CBON = 1, CBPWRMD = 00 or 01                      |                 |      | 1                                  | 2                   | μs   |
|                        |   | CBON = 0 to CBON = 1, CBPWRMD = 10                            |                 |      |                                    | 100                 |      |
| t <sub>EN_REF</sub>    | Resistor reference enable time  | CBON = 0 to CBON = 1  |                 |      | 0.3                                | 1.5                 | μs   |
| V <sub>CB_REF</sub>    | Reference voltage for a given tap   | V <sub>IN</sub> = reference into resistor ladder, n = 0 to 31 |                 |      | $\frac{V_{IN} \times (n + 1)}{32}$ |                     | V    |

## 5.43 Flash Memory

over recommended ranges of supply voltage and operating free-air temperature (unless otherwise noted)

| PARAMETER                   |  | T <sub>J</sub> | MIN             | TYP             | MAX | UNIT   |
|-----------------------------|--|----------------|-----------------|-----------------|-----|--------|
| DV <sub>CC(PGM/ERASE)</sub> | Program and erase supply voltage   |                | 1.8             |                 | 3.6 | V      |
| I <sub>PGM</sub>            | Average supply current from DVCC during program  |                |                 | 3               | 5   | mA     |
| I <sub>ERASE</sub>          | Average supply current from DVCC during erase  |                |                 | 2               | 6.5 | mA     |
| I <sub>MERASE, IBANK</sub>  | Average supply current from DVCC during mass erase or bank erase                                 |                |                 | 2               | 6.5 | mA     |
| t <sub>CPT</sub>            | Cumulative program time <sup>(1)</sup>   |                |                 |                 | 16  | ms     |
|                             | Program and erase endurance  |                | 10 <sup>4</sup> | 10 <sup>5</sup> |     | cycles |
| t <sub>Retention</sub>      | Data retention duration  | 25°C           | 100             |                 |     | years  |
| t <sub>Word</sub>           | Word or byte program time <sup>(2)</sup>   |                | 64              |                 | 85  | μs     |
| t <sub>Block, 0</sub>       | Block program time for first byte or word <sup>(2)</sup>   |                | 49              |                 | 65  | μs     |
| t <sub>Block, 1–(N–1)</sub> | Block program time for each additional byte or word, except for last byte or word <sup>(2)</sup> |                | 37              |                 | 49  | μs     |
| t <sub>Block, N</sub>       | Block program time for last byte or word <sup>(2)</sup>  |                | 55              |                 | 73  | μs     |
| t <sub>Erase</sub>          | Erase time for segment erase, mass erase, and bank erase when available <sup>(2)</sup>           |                | 23              |                 | 32  | ms     |
| f <sub>MCLK,MGR</sub>       | MCLK frequency in marginal read mode (FCTL4.MGR0 = 1 or FCTL4.MGR1 = 1)                          |                | 0               |                 | 1   | MHz    |

- (1) The cumulative program time must not be exceeded when writing to a 128-byte flash block. This parameter applies to all programming methods: individual word write, individual byte write, and block write modes.
- (2) These values are hardwired into the state machine of the flash controller.

## 5.44 JTAG and Spy-Bi-Wire Interface

over recommended ranges of supply voltage and operating free-air temperature (unless otherwise noted)

| PARAMETER             |  | V <sub>CC</sub> | MIN   | TYP | MAX | UNIT |
|-----------------------|--|-----------------|-------|-----|-----|------|
| f <sub>SBW</sub>      | Spy-Bi-Wire input frequency  | 2.2 V, 3 V      | 0     |     | 20  | MHz  |
| t <sub>SBW,Low</sub>  | Spy-Bi-Wire low clock pulse duration   | 2.2 V, 3 V      | 0.025 |     | 15  | μs   |
| t <sub>SBW,En</sub>   | Spy-Bi-Wire enable time (TEST high to acceptance of first clock edge) <sup>(1)</sup> | 2.2 V, 3 V      |       |     | 1   | μs   |
| t <sub>SBW,Rst</sub>  | Spy-Bi-Wire return to normal operation time  |                 | 15    |     | 100 | μs   |
| f <sub>TCK</sub>      | TCK input frequency, 4-wire JTAG <sup>(2)</sup>                                      | 2.2 V           | 0     |     | 5   | MHz  |
|                       |  | 3 V             | 0     |     | 10  | MHz  |
| R <sub>internal</sub> | Internal pulldown resistance on TEST   | 2.2 V, 3 V      | 45    | 60  | 80  | kΩ   |

- (1) Tools that access the Spy-Bi-Wire interface need to wait for the minimum t<sub>SBW,En</sub> time after pulling the TEST/SBWTCK pin high before applying the first SBWTCK clock edge.
- (2) f<sub>TCK</sub> may be restricted to meet the timing requirements of the module selected.

## 5.45 RF1A CC1101-Based Radio Parameters

### 5.46 Recommended Operating Conditions

| PARAMETER                              | TEST CONDITIONS   | MIN                | TYP | MAX | UNIT  |
|--|---|--------------------|-----|-----|-------|
| V <sub>CC</sub>                        | Supply voltage range during radio operation   | 2.0                |     | 3.6 | V     |
| PMMCOREVx                              | Core voltage range, PMMCOREVx setting during radio operation  | 2                  |     | 3   |       |
| RF range                               |   | 300                |     | 348 | MHz   |
|  |   | 389 <sup>(1)</sup> |     | 464 |       |
|  |   | 779                |     | 928 |       |
| Data rate                              | 2-FSK   | 0.6                |     | 500 | kBaud |
|  | 2-GFSK, OOK, and ASK  | 0.6                |     | 250 |       |
|  | (Shaped) MSK (also known as differential offset QPSK) <sup>(2)</sup>  | 26                 |     | 500 |       |
| RF crystal frequency                   |   | 26                 | 26  | 27  | MHz   |
| RF crystal tolerance                   | Total tolerance including initial tolerance, crystal loading, aging, and temperature dependency. <sup>(3)</sup> |                    | ±40 |     | ppm   |
| RF crystal load capacitance            |   | 10                 | 13  | 20  | pF    |
| RF crystal effective series resistance |   |                    |     | 100 | Ω     |

(1) If using a 27-MHz crystal, the lower frequency limit for this band is 392 MHz.

(2) If using optional Manchester encoding, the data rate in kbps is half the baud rate.

(3) The acceptable crystal tolerance depends on frequency band, channel bandwidth, and spacing. Also see [DN005 -- CC11xx Sensitivity versus Frequency Offset and Crystal Accuracy](#).

### 5.47 RF Crystal Oscillator, XT2

T<sub>A</sub> = 25°C, V<sub>CC</sub> = 3 V (unless otherwise noted)<sup>(1)</sup>

| PARAMETER                    | MIN | TYP | MAX | UNIT |
|------------------------------|-----|-----|-----|------|
| Start-up time <sup>(2)</sup> |     | 150 | 810 | μs   |
| Duty cycle                   | 45% | 50% | 55% |      |

(1) All measurement results are obtained using the EM430F6137RF900 with BOM according to tested frequency range (see [Table 7-1](#)).

(2) The start-up time depends to a very large degree on the used crystal.

### 5.48 Current Consumption, Reduced-Power Modes

T<sub>A</sub> = 25°C, V<sub>CC</sub> = 3 V (unless otherwise noted)<sup>(1)</sup>

| PARAMETER           | TEST CONDITIONS   | MIN | TYP | MAX | UNIT |
|---------------------|---|-----|-----|-----|------|
| Current consumption | RF crystal oscillator only <sup>(2)</sup>                               |     | 100 |     | μA   |
|                     | IDLE state (including RF crystal oscillator)                            |     | 1.7 |     | mA   |
|                     | FSTXON state (only the frequency synthesizer is running) <sup>(3)</sup> |     | 9.5 |     |      |

(1) All measurement results are obtained using the EM430F6137RF900 with BOM according to tested frequency range (see [Table 7-1](#)).

(2) To measure the current, follow this sequence:

- Enable XT2 with XOSC\_FORCE\_ON = 1.
- Set radio to sleep mode.
- Disable XT2 clock requests from any module.

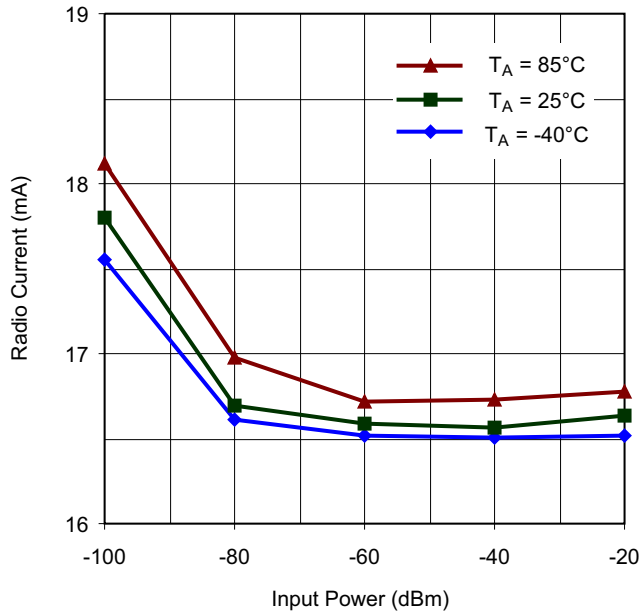
(3) This current consumption is also representative of other intermediate states when going from IDLE to RX or TX, including the calibration state.

## 5.49 Current Consumption, Receive Mode

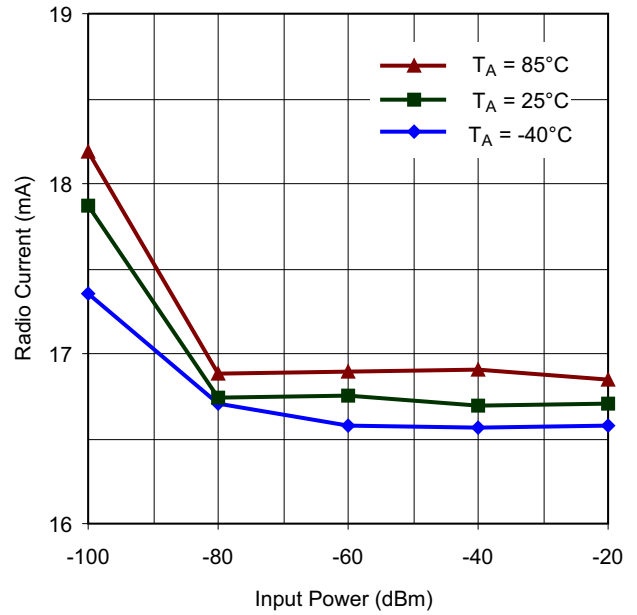
 $T_A = 25^\circ\text{C}$ ,  $V_{CC} = 3\text{ V}$  (unless otherwise noted)<sup>(1)</sup> <sup>(2)</sup>

| PARAMETER               | FREQ (MHz) | DATA RATE (kBaud) | TEST CONDITIONS  |   | TYP   | UNIT |      |
|-------------------------|------------|-------------------|--|---|---|------|------|
| Current consumption, RX | 315        | 1.2               | Register settings optimized for reduced current                | Input at –100 dBm (close to sensitivity limit)  | 17  | mA   |      |
|                         |            |                   |  | Input at –40 dBm (well above sensitivity limit) | 16  |      |      |
|                         |            | 38.4              |  | Input at –100 dBm (close to sensitivity limit)  | 17  |      |      |
|                         |            |                   |  | Input at –40 dBm (well above sensitivity limit) | 16  |      |      |
|                         |            | 250               |  | Input at –100 dBm (close to sensitivity limit)  | 18  |      |      |
|                         |            |                   |  | Input at –40 dBm (well above sensitivity limit) | 16.5  |      |      |
|                         | 433        | 1.2               |  | Register settings optimized for reduced current | Input at –100 dBm (close to sensitivity limit)  |      | 18   |
|                         |            |                   |  |   | Input at –40 dBm (well above sensitivity limit) |      | 17   |
|                         |            | 38.4              |  |   | Input at –100 dBm (close to sensitivity limit)  |      | 18   |
|                         |            |                   |  |   | Input at –40 dBm (well above sensitivity limit) |      | 17   |
|                         |            | 250               |  |   | Input at –100 dBm (close to sensitivity limit)  |      | 18.5 |
|                         |            |                   |  |   | Input at –40 dBm (well above sensitivity limit) |      | 17   |
|                         | 868, 915   | 1.2               | Register settings optimized for reduced current <sup>(3)</sup> |   | Input at –100 dBm (close to sensitivity limit)  |      | 16   |
|                         |            |                   |  |   | Input at –40 dBm (well above sensitivity limit) |      | 15   |
|                         |            | 38.4              |  |   | Input at –100 dBm (close to sensitivity limit)  |      | 16   |
|                         |            |                   |  |   | Input at –40 dBm (well above sensitivity limit) |      | 15   |
|                         |            | 250               |  |   | Input at –100 dBm (close to sensitivity limit)  |      | 16   |
|                         |            |                   |  |   | Input at –40 dBm (well above sensitivity limit) |      | 15   |

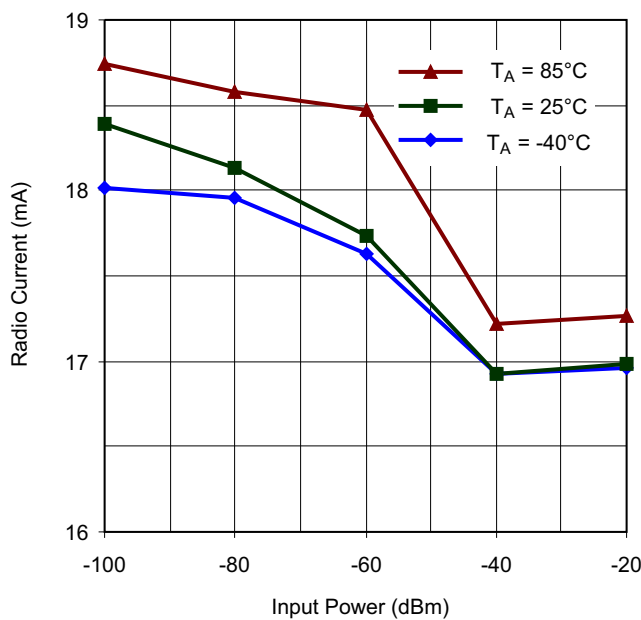
- (1) All measurement results are obtained using the EM430F6137RF900 with BOM according to tested frequency range (see [Table 7-1](#)).
- (2) Reduced current setting (MDMCFG2.DEM\_DCFILT\_OFF = 1) gives a slightly lower current consumption at the cost of a reduction in sensitivity. See [Section 5.55](#) through [Section 5.58](#) for additional details on current consumption and sensitivity.
- (3) For 868 or 915 MHz, see [Figure 5-20](#) for current consumption with register settings optimized for sensitivity.



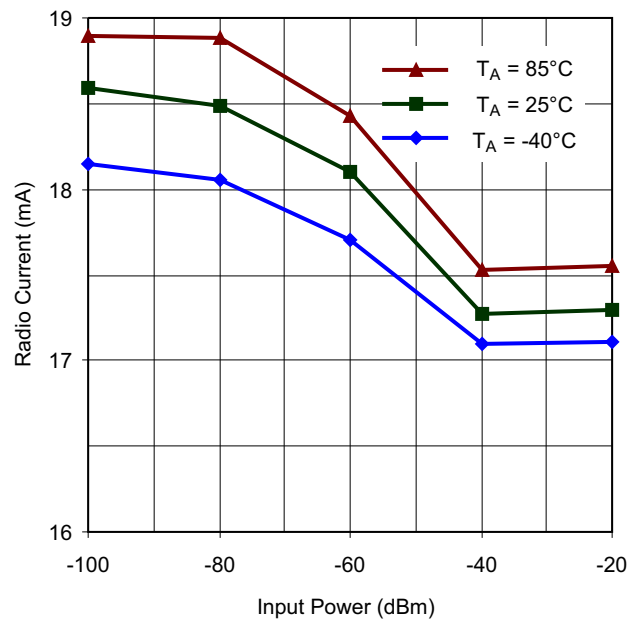
1.2 kBaud GFSK



38.4 kBaud GFSK



250 kBaud GFSK



500 kBaud MSK

Figure 5-20. Typical RX Current Consumption Over Temperature and Input Power Level, 868 MHz, Sensitivity-Optimized Setting



## 5.50 Current Consumption, Transmit Mode

 $T_A = 25^\circ\text{C}$ ,  $V_{CC} = 3\text{ V}$  (unless otherwise noted)<sup>(1) (2)</sup>

| PARAMETER               | FREQUENCY [MHz} | PATABLE SETTING | OUTPUT POWER (dBm) | TYP | UNIT |
|-------------------------|-----------------|-----------------|--------------------|-----|------|
| Current consumption, TX | 315             | 0xC0            | maximum            | 26  | mA   |
|                         |                 | 0xC4            | +10                | 25  |      |
|                         |                 | 0x51            | 0                  | 15  |      |
|                         |                 | 0x29            | -6                 | 15  |      |
|                         | 433             | 0xC0            | maximum            | 33  |      |
|                         |                 | 0xC6            | +10                | 29  |      |
|                         |                 | 0x50            | 0                  | 17  |      |
|                         |                 | 0x2D            | -6                 | 17  |      |
|                         | 868             | 0xC0            | maximum            | 36  |      |
|                         |                 | 0xC3            | +10                | 33  |      |
|                         |                 | 0x8D            | 0                  | 18  |      |
|                         |                 | 0x2D            | -6                 | 18  |      |
|                         | 915             | 0xC0            | maximum            | 35  |      |
|                         |                 | 0xC3            | +10                | 32  |      |
|                         |                 | 0x8D            | 0                  | 18  |      |
|                         |                 | 0x2D            | -6                 | 18  |      |

- (1) All measurement results are obtained using the EM430F6137RF900 with BOM according to tested frequency range (see [Table 7-1](#)).
- (2) Reduced current setting (MDMCFG2.DEM\_DCFLT\_OFF = 1) gives a slightly lower current consumption at the cost of a reduction in sensitivity. See [Section 5.55](#) through [Section 5.58](#) for additional details on current consumption and sensitivity.

### 5.51 Typical TX Current Consumption, 315 MHz

| PARAMETER               | PATABLE SETTING | OUTPUT POWER (dBm) | V <sub>CC</sub> | 2 V  | 3 V  | 3.6 V | UNIT |
|-------------------------|-----------------|--------------------|-----------------|------|------|-------|------|
|                         |                 |                    | T <sub>A</sub>  | 25°C | 25°C | 25°C  |      |
| Current consumption, TX | 0xC0            | maximum            |                 | 27.5 | 26.4 | 28.1  | mA   |
|                         | 0xC4            | +10                |                 | 25.1 | 25.2 | 25.3  |      |
|                         | 0x51            | 0                  |                 | 14.4 | 14.6 | 14.7  |      |
|                         | 0x29            | -6                 |                 | 14.2 | 14.7 | 15.0  |      |

### 5.52 Typical TX Current Consumption, 433 MHz

| PARAMETER               | PATABLE SETTING | OUTPUT POWER (dBm) | V <sub>CC</sub> | 2 V  | 3 V  | 3.6 V | UNIT |
|-------------------------|-----------------|--------------------|-----------------|------|------|-------|------|
|                         |                 |                    | T <sub>A</sub>  | 25°C | 25°C | 25°C  |      |
| Current consumption, TX | 0xC0            | maximum            |                 | 33.1 | 33.4 | 33.8  | mA   |
|                         | 0xC6            | +10                |                 | 28.6 | 28.8 | 28.8  |      |
|                         | 0x50            | 0                  |                 | 16.6 | 16.8 | 16.9  |      |
|                         | 0x2D            | -6                 |                 | 16.8 | 17.5 | 17.8  |      |

### 5.53 Typical TX Current Consumption, 868 MHz

| PARAMETER               | PATABLE SETTING | OUTPUT POWER (dBm) | V <sub>CC</sub><br>T <sub>A</sub> | 2 V   |      |      | 3 V   |      |      | 3.6 V |      |      | UNIT |
|-------------------------|-----------------|--------------------|-----------------------------------|-------|------|------|-------|------|------|-------|------|------|------|
|                         |                 |                    |                                   | -40°C | 25°C | 85°C | -40°C | 25°C | 85°C | -40°C | 25°C | 85°C |      |
| Current consumption, TX | 0xC0            | maximum            |                                   | 36.7  | 35.2 | 34.2 | 38.5  | 35.5 | 34.9 | 37.1  | 35.7 | 34.7 | mA   |
|                         | 0xC3            | +10                |                                   | 34.0  | 32.8 | 32.0 | 34.2  | 33.0 | 32.5 | 34.3  | 33.1 | 32.2 |      |
|                         | 0x8D            | 0                  |                                   | 18.0  | 17.6 | 17.5 | 18.3  | 17.8 | 18.1 | 18.4  | 18.0 | 17.7 |      |
|                         | 0x2D            | -6                 |                                   | 17.1  | 17.0 | 17.2 | 17.8  | 17.8 | 18.3 | 18.2  | 18.1 | 18.1 |      |

### 5.54 Typical TX Current Consumption, 915 MHz

| PARAMETER               | PATABLE SETTING | OUTPUT POWER (dBm) | V <sub>CC</sub><br>T <sub>A</sub> | 2 V   |      |      | 3 V   |      |      | 3.6 V |      |      | UNIT |
|-------------------------|-----------------|--------------------|-----------------------------------|-------|------|------|-------|------|------|-------|------|------|------|
|                         |                 |                    |                                   | -40°C | 25°C | 85°C | -40°C | 25°C | 85°C | -40°C | 25°C | 85°C |      |
| Current consumption, TX | 0xC0            | maximum            |                                   | 35.5  | 33.8 | 33.2 | 36.2  | 34.8 | 33.6 | 36.3  | 35.0 | 33.8 | mA   |
|                         | 0xC3            | +10                |                                   | 33.2  | 32.0 | 31.0 | 33.4  | 32.1 | 31.2 | 33.5  | 32.3 | 31.3 |      |
|                         | 0x8D            | 0                  |                                   | 17.8  | 17.4 | 17.1 | 18.1  | 17.6 | 17.3 | 18.2  | 17.8 | 17.5 |      |
|                         | 0x2D            | -6                 |                                   | 17.0  | 16.9 | 16.9 | 17.7  | 17.6 | 17.6 | 18.1  | 18.0 | 18.0 |      |

## 5.55 RF Receive, Overall

 $T_A = 25^\circ\text{C}$ ,  $V_{CC} = 3\text{ V}$  (unless otherwise noted)<sup>(1)</sup>

| PARAMETER                                       | TEST CONDITIONS                 | MIN | TYP | MAX | UNIT |
|---|---------------------------------|-----|-----|-----|------|
| Digital channel filter bandwidth <sup>(2)</sup> |                                 | 58  |     | 812 | kHz  |
| Spurious emissions <sup>(3) (4)</sup>           | 25 MHz to 1 GHz                 |     | -68 | -57 | dBm  |
|   | Above 1 GHz                     |     | -66 | -47 |      |
| RX latency                                      | Serial operation <sup>(5)</sup> |     | 9   |     | bit  |

- (1) All measurement results are obtained using the EM430F6137RF900 with BOM according to tested frequency range (see Table 7-1).
- (2) User programmable. The bandwidth limits are proportional to crystal frequency (given values assume a 26.0 MHz crystal)
- (3) Typical radiated spurious emission is -49 dBm measured at the VCO frequency
- (4) Maximum figure is the ETSI EN 300 220 limit
- (5) Time from start of reception until data is available on the receiver data output pin is equal to 9 bit.

## 5.56 RF Receive, 315 MHz

 $T_A = 25^\circ\text{C}$ ,  $V_{CC} = 3\text{ V}$  (unless otherwise noted)<sup>(1)</sup>

2-FSK, 1% packet error rate, 20-byte packet length, Sensitivity optimized, MDMCFG2.DEM\_DCFILT\_OFF = 0 (unless otherwise noted)

| PARAMETER            | DATA RATE (kBaud) | TEST CONDITIONS  | TYP  | UNIT |
|----------------------|-------------------|--|------|------|
| Receiver sensitivity | 0.6               | 14.3-kHz deviation, 58-kHz digital channel filter bandwidth                | -117 | dBm  |
|                      | 1.2               | 5.2-kHz deviation, 58-kHz digital channel filter bandwidth <sup>(2)</sup>  | -111 |      |
|                      | 38.4              | 20-kHz deviation, 100-kHz digital channel filter bandwidth <sup>(3)</sup>  | -103 |      |
|                      | 250               | 127-kHz deviation, 540-kHz digital channel filter bandwidth <sup>(4)</sup> | -95  |      |
|                      | 500               | MSK, 812-kHz digital channel filter bandwidth <sup>(4)</sup>               | -86  |      |

- (1) All measurement results are obtained using the EM430F6137RF900 with BOM according to tested frequency range (see Table 7-1).
- (2) Sensitivity can be traded for current consumption by setting MDMCFG2.DEM\_DCFILT\_OFF = 1. The typical current consumption is then reduced by approximately 2 mA close to the sensitivity limit. The sensitivity is typically reduced to -109 dBm.
- (3) Sensitivity can be traded for current consumption by setting MDMCFG2.DEM\_DCFILT\_OFF = 1. The typical current consumption is then reduced by approximately 2 mA close to the sensitivity limit. The sensitivity is typically reduced to -102 dBm.
- (4) MDMCFG2.DEM\_DCFILT\_OFF = 1 cannot be used for data rates  $\geq 250\text{ kBaud}$ .

## 5.57 RF Receive, 433 MHz

 $T_A = 25^\circ\text{C}$ ,  $V_{CC} = 3\text{ V}$  (unless otherwise noted)<sup>(1)</sup>

2-FSK, 1% packet error rate, 20-byte packet length, Sensitivity optimized, MDMCFG2.DEM\_DCFILT\_OFF = 0 (unless otherwise noted)

| PARAMETER            | DATA RATE (kBaud) | TEST CONDITIONS  | TYP  | UNIT |
|----------------------|-------------------|--|------|------|
| Receiver sensitivity | 0.6               | 14.3-kHz deviation, 58-kHz digital channel filter bandwidth                | -114 | dBm  |
|                      | 1.2               | 5.2-kHz deviation, 58-kHz digital channel filter bandwidth <sup>(2)</sup>  | -111 |      |
|                      | 38.4              | 20-kHz deviation, 100-kHz digital channel filter bandwidth <sup>(3)</sup>  | -104 |      |
|                      | 250               | 127-kHz deviation, 540-kHz digital channel filter bandwidth <sup>(4)</sup> | -93  |      |
|                      | 500               | MSK, 812-kHz digital channel filter bandwidth <sup>(4)</sup>               | -85  |      |

- (1) All measurement results are obtained using the EM430F6137RF900 with BOM according to tested frequency range (see Table 7-1).
- (2) Sensitivity can be traded for current consumption by setting MDMCFG2.DEM\_DCFILT\_OFF = 1. The typical current consumption is then reduced by approximately 2 mA close to the sensitivity limit. The sensitivity is typically reduced to -109 dBm.
- (3) Sensitivity can be traded for current consumption by setting MDMCFG2.DEM\_DCFILT\_OFF = 1. The typical current consumption is then reduced by approximately 2 mA close to the sensitivity limit. The sensitivity is typically reduced to -101 dBm.
- (4) MDMCFG2.DEM\_DCFILT\_OFF = 1 cannot be used for data rates  $\geq 250\text{ kBaud}$ .

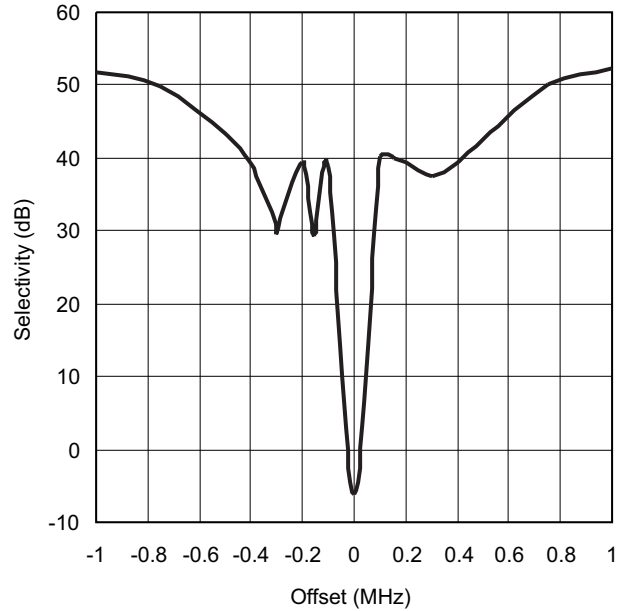
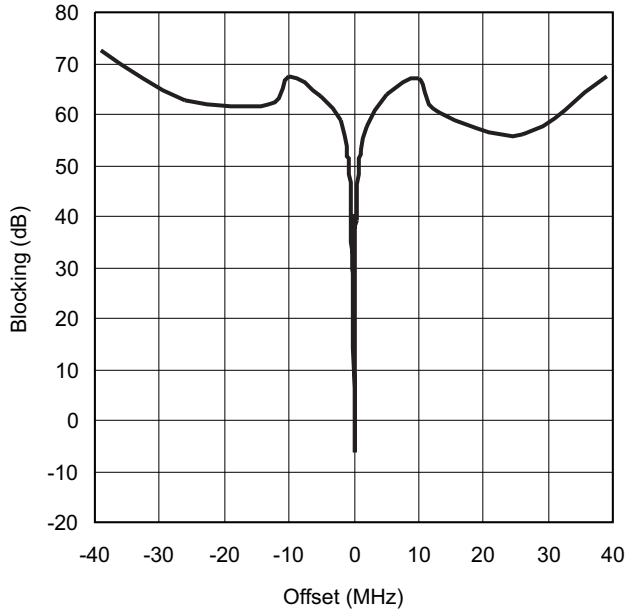
## 5.58 RF Receive, 868 or 915 MHz

T<sub>A</sub> = 25°C, V<sub>CC</sub> = 3 V (unless otherwise noted)<sup>(1)</sup>

1% packet error rate, 20-byte packet length, Sensitivity optimized, MDMCFG2.DEM\_DCFILT\_OFF = 0 (unless otherwise noted)

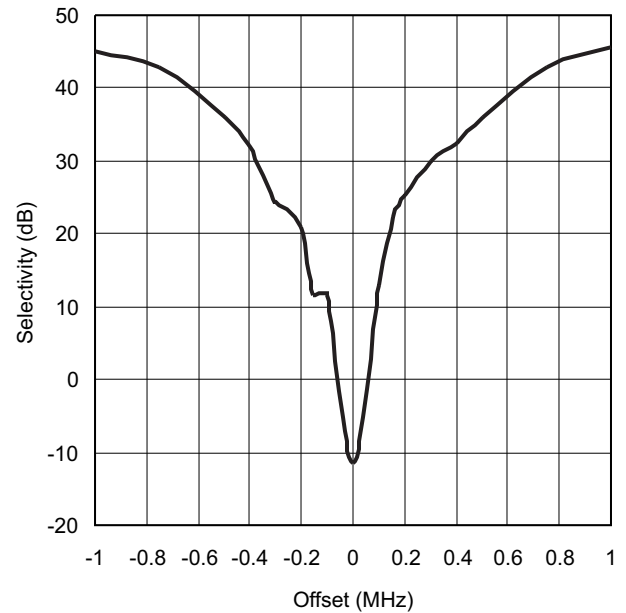
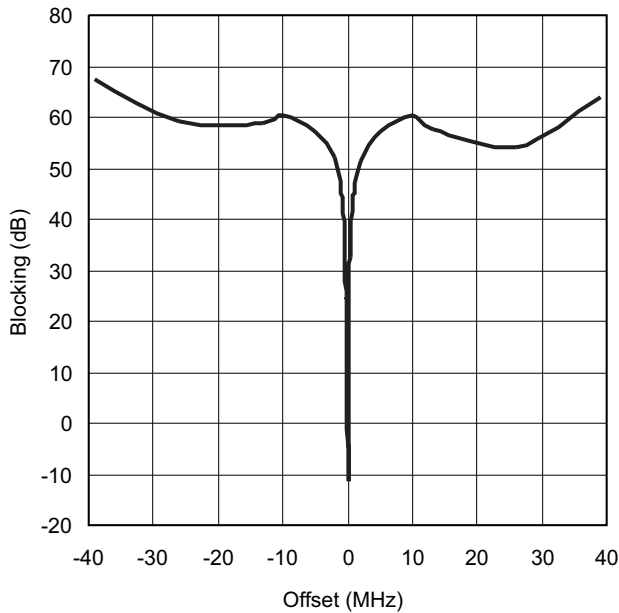
| PARAMETER   | TEST CONDITIONS  | MIN             | TYP  | MAX | UNIT |
|---|--|-----------------|------|-----|------|
| <b>0.6-kBaud data rate, 2-FSK, 14.3-kHz deviation, 58-kHz digital channel filter bandwidth (unless otherwise noted)</b> |  |                 |      |     |      |
| Receiver sensitivity  |  |                 | -115 |     | dBm  |
| <b>1.2-kBaud data rate, 2-FSK, 5.2-kHz deviation, 58-kHz digital channel filter bandwidth (unless otherwise noted)</b>  |  |                 |      |     |      |
| Receiver sensitivity <sup>(2)</sup>   | 2-GFSK modulation by setting MDMCFG2.MOD_FORMAT = 2, Gaussian filter with BT = 0.5       |                 | -109 |     | dBm  |
|   |  |                 | -109 |     |      |
| Saturation  | FIFOTHR.CLOSE_IN_RX = 0 <sup>(3)</sup>   |                 | -28  |     | dBm  |
| Adjacent channel rejection  | Desired channel 3 dB above the sensitivity limit, 100-kHz channel spacing <sup>(4)</sup> | -100-kHz offset | 39   |     | dB   |
|   |  | +100-kHz offset | 39   |     |      |
| Image channel rejection   | IF 152 kHz, desired channel 3 dB above the sensitivity limit                             |                 | 29   |     | dB   |
| Blocking  | Desired channel 3 dB above the sensitivity limit <sup>(5)</sup>                          | ±2-MHz offset   | -48  |     | dBm  |
|   |  | ±10-MHz offset  | -40  |     |      |
| <b>38.4-kBaud data rate, 2-FSK, 20-kHz deviation, 100-kHz digital channel filter bandwidth (unless otherwise noted)</b> |  |                 |      |     |      |
| Receiver sensitivity <sup>(6)</sup>   | 2-GFSK modulation by setting MDMCFG2.MOD_FORMAT = 2, Gaussian filter with BT = 0.5       |                 | -102 |     | dBm  |
|   |  |                 | -101 |     |      |
| Saturation  | FIFOTHR.CLOSE_IN_RX = 0 <sup>(3)</sup>   |                 | -19  |     | dBm  |
| Adjacent channel rejection  | Desired channel 3 dB above the sensitivity limit, 200-kHz channel spacing <sup>(5)</sup> | -200-kHz offset | 20   |     | dB   |
|   |  | +200-kHz offset | 25   |     |      |
| Image channel rejection   | IF 152 kHz, desired channel 3 dB above the sensitivity limit                             |                 | 23   |     | dB   |
| Blocking  | Desired channel 3 dB above the sensitivity limit <sup>(5)</sup>                          | ±2-MHz offset   | -48  |     | dBm  |
|   |  | ±10-MHz offset  | -40  |     |      |
| <b>250-kBaud data rate, 2-FSK, 127-kHz deviation, 540-kHz digital channel filter bandwidth (unless otherwise noted)</b> |  |                 |      |     |      |
| Receiver sensitivity <sup>(7)</sup>   | 2-GFSK modulation by setting MDMCFG2.MOD_FORMAT = 2, Gaussian filter with BT = 0.5       |                 | -90  |     | dBm  |
|   |  |                 | -90  |     |      |
| Saturation  | FIFOTHR.CLOSE_IN_RX = 0 <sup>(3)</sup>   |                 | -19  |     | dBm  |
| Adjacent channel rejection  | Desired channel 3 dB above the sensitivity limit, 750-kHz channel spacing <sup>(8)</sup> | -750-kHz offset | 24   |     | dB   |
|   |  | +750-kHz offset | 30   |     |      |
| Image channel rejection   | IF 304 kHz, desired channel 3 dB above the sensitivity limit                             |                 | 18   |     | dB   |
| Blocking  | Desired channel 3 dB above the sensitivity limit <sup>(8)</sup>                          | ±2-MHz offset   | -53  |     | dBm  |
|   |  | ±10-MHz offset  | -39  |     |      |
| <b>500-kBaud data rate, MSK, 812-kHz digital channel filter bandwidth (unless otherwise noted)</b>                      |  |                 |      |     |      |
| Receiver sensitivity <sup>(7)</sup>   |  |                 | -84  |     | dBm  |
| Image channel rejection   | IF 355 kHz, desired channel 3 dB above the sensitivity limit                             |                 | -2   |     | dB   |
| Blocking  | Desired channel 3 dB above the sensitivity limit <sup>(9)</sup>                          | ±2-MHz offset   | -53  |     | dBm  |
|   |  | ±10-MHz offset  | -38  |     |      |

- (1) All measurement results are obtained using the EM430F6137RF900 with BOM according to tested frequency range (see [Table 7-1](#)).
- (2) Sensitivity can be traded for current consumption by setting MDMCFG2.DEM\_DCFILT\_OFF = 1. The typical current consumption is then reduced by approximately 2 mA close to the sensitivity limit. The sensitivity is typically reduced to -107 dBm
- (3) See [DN010 Close-in Reception with CC1101](#).
- (4) See [Figure 5-21](#) for blocking performance at other offset frequencies.
- (5) See [Figure 5-22](#) for blocking performance at other offset frequencies.
- (6) Sensitivity can be traded for current consumption by setting MDMCFG2.DEM\_DCFILT\_OFF = 1. The typical current consumption is then reduced by approximately 2 mA close to the sensitivity limit. The sensitivity is typically reduced to -100 dBm.
- (7) MDMCFG2.DEM\_DCFILT\_OFF = 1 cannot be used for data rates ≥ 250kBaud.
- (8) See [Figure 5-23](#) for blocking performance at other offset frequencies.
- (9) See [Figure 5-24](#) for blocking performance at other offset frequencies.



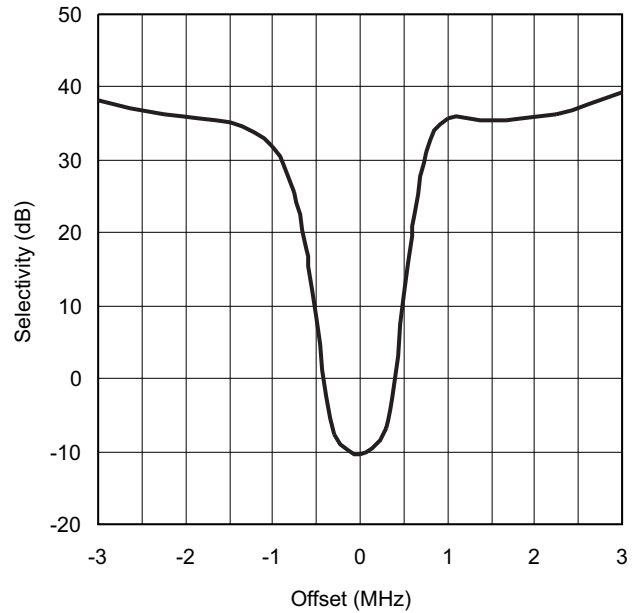
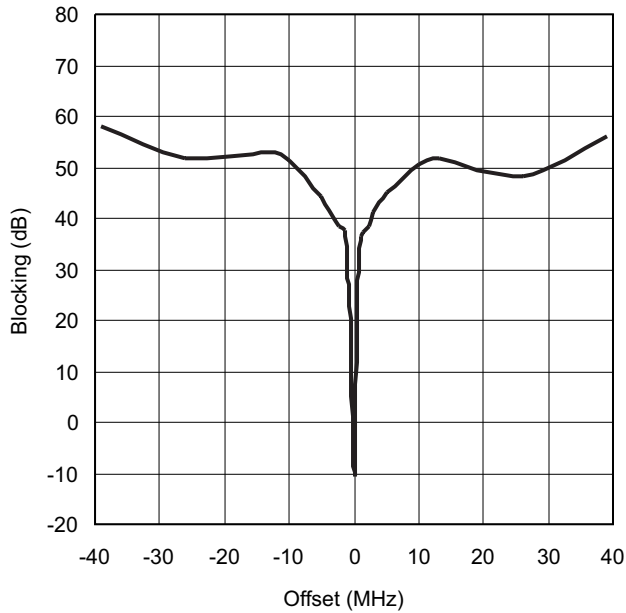
NOTE: 868.3 MHz, 2-FSK, 5.2-kHz deviation, IF is 152.3 kHz, digital channel filter bandwidth is 58 kHz

**Figure 5-21. Typical Selectivity at 1.2-kBaud Data Rate**



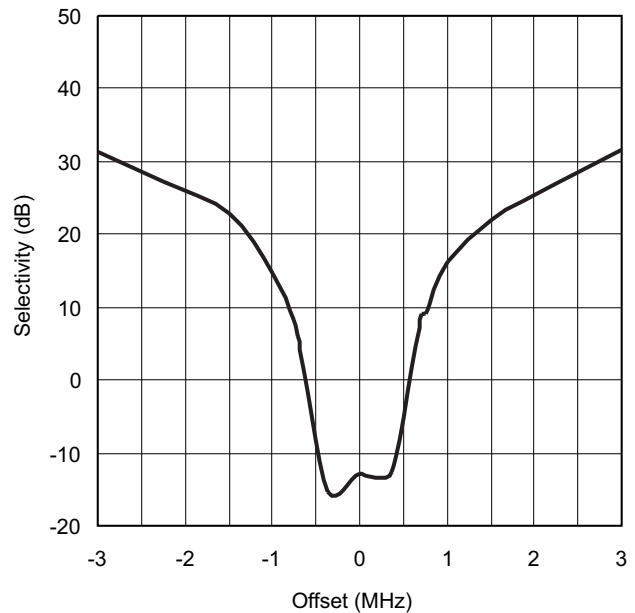
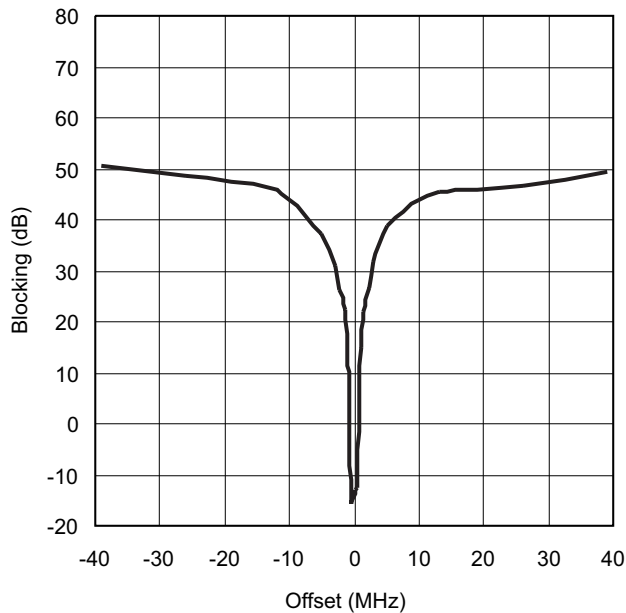
NOTE: 868 MHz, 2-FSK, 20 kHz deviation, IF is 152.3 kHz, digital channel filter bandwidth is 100 kHz

**Figure 5-22. Typical Selectivity at 38.4-kBaud Data Rate**



NOTE: 868 MHz, 2-FSK, IF is 304 kHz, digital channel filter bandwidth is 540 kHz

**Figure 5-23. Typical Selectivity at 250-kBaud Data Rate**



NOTE: 868 MHz, 2-FSK, IF is 355 kHz, digital channel filter bandwidth is 812 kHz

**Figure 5-24. Typical Selectivity at 500-kBaud Data Rate**

### 5.59 Typical Sensitivity, 315 MHz, Sensitivity Optimized Setting

| PARAMETER            | DATA RATE (kBaud) | V <sub>CC</sub> | 2 V   |      |      | 3 V   |      |      | 3.6 V |      |      | UNIT |
|----------------------|-------------------|-----------------|-------|------|------|-------|------|------|-------|------|------|------|
|                      |                   | T <sub>A</sub>  | -40°C | 25°C | 85°C | -40°C | 25°C | 85°C | -40°C | 25°C | 85°C |      |
| Sensitivity, 315 MHz | 1.2               |                 | -112  | -112 | -110 | -112  | -111 | -109 | -112  | -111 | -108 | dBm  |
|                      | 38.4              |                 | -105  | -105 | -104 | -105  | -103 | -102 | -105  | -104 | -102 |      |
|                      | 250               |                 | -95   | -95  | -92  | -94   | -95  | -92  | -95   | -94  | -91  |      |

### 5.60 Typical Sensitivity, 433 MHz, Sensitivity Optimized Setting

| PARAMETER            | DATA RATE (kBaud) | V <sub>CC</sub> | 2 V   |      |      | 3 V   |      |      | 3.6 V |      |      | UNIT |
|----------------------|-------------------|-----------------|-------|------|------|-------|------|------|-------|------|------|------|
|                      |                   | T <sub>A</sub>  | -40°C | 25°C | 85°C | -40°C | 25°C | 85°C | -40°C | 25°C | 85°C |      |
| Sensitivity, 433 MHz | 1.2               |                 | -111  | -110 | -108 | -111  | -111 | -108 | -111  | -110 | -107 | dBm  |
|                      | 38.4              |                 | -104  | -104 | -101 | -104  | -104 | -101 | -104  | -103 | -101 |      |
|                      | 250               |                 | -93   | -94  | -91  | -93   | -93  | -90  | -93   | -93  | -90  |      |

### 5.61 Typical Sensitivity, 868 MHz, Sensitivity Optimized Setting

| PARAMETER            | DATA RATE (kBaud) | V <sub>CC</sub> | 2 V   |      |      | 3 V   |      |      | 3.6 V |      |      | UNIT |
|----------------------|-------------------|-----------------|-------|------|------|-------|------|------|-------|------|------|------|
|                      |                   | T <sub>A</sub>  | -40°C | 25°C | 85°C | -40°C | 25°C | 85°C | -40°C | 25°C | 85°C |      |
| Sensitivity, 868 MHz | 1.2               |                 | -109  | -109 | -107 | -109  | -109 | -106 | -109  | -108 | -106 | dBm  |
|                      | 38.4              |                 | -102  | -102 | -100 | -102  | -102 | -99  | -102  | -101 | -99  |      |
|                      | 250               |                 | -90   | -90  | -88  | -89   | -90  | -87  | -89   | -90  | -87  |      |
|                      | 500               |                 | -84   | -84  | -81  | -84   | -84  | -80  | -84   | -84  | -80  |      |

### 5.62 Typical Sensitivity, 915 MHz, Sensitivity Optimized Setting

| PARAMETER            | DATA RATE (kBaud) | V <sub>CC</sub> | 2 V   |      |      | 3 V   |      |      | 3.6 V |      |      | UNIT |
|----------------------|-------------------|-----------------|-------|------|------|-------|------|------|-------|------|------|------|
|                      |                   | T <sub>A</sub>  | -40°C | 25°C | 85°C | -40°C | 25°C | 85°C | -40°C | 25°C | 85°C |      |
| Sensitivity, 915 MHz | 1.2               |                 | -109  | -109 | -107 | -109  | -109 | -106 | -109  | -108 | -105 | dBm  |
|                      | 38.4              |                 | -102  | -102 | -100 | -102  | -102 | -99  | -103  | -102 | -99  |      |
|                      | 250               |                 | -92   | -92  | -89  | -92   | -92  | -88  | -92   | -92  | -88  |      |
|                      | 500               |                 | -87   | -86  | -81  | -86   | -86  | -81  | -86   | -85  | -80  |      |

### 5.63 RF Transmit

T<sub>A</sub> = 25°C, V<sub>CC</sub> = 3 V (unless otherwise noted)<sup>(1)</sup>

P<sub>TX</sub> = +10 dBm (unless otherwise noted)

| PARAMETER                                    | FREQUENCY (MHz)  | TEST CONDITIONS   |                           | TYP                       | UNIT       |       |
|--|--|---|---------------------------|---------------------------|------------|-------|
| Differential load impedance <sup>(2)</sup>   | 315  |   |                           | 122 + j31                 | Ω          |       |
|  | 433  |   |                           | 116 + j41                 |            |       |
|  | 868, 915   |   |                           | 86.5 + j43                |            |       |
| Output power, highest setting <sup>(3)</sup> | 315  | Delivered to a 50-Ω single-ended load from CC430 reference design RF matching network |                           | +12                       | dBm        |       |
|  | 433  |   |                           | +13                       |            |       |
|  | 868  |   |                           | +11                       |            |       |
|  | 915  |   |                           | +11                       |            |       |
| Output power, lowest setting <sup>(3)</sup>  |  | Delivered to a 50-Ω single-ended load from CC430 reference design RF matching network |                           | -30                       | dBm        |       |
| Harmonics, radiated <sup>(4)(5)(6)</sup>     | 433  | Second harmonic   |                           | -56                       | dBm        |       |
|  |  | Third harmonic  |                           | -57                       |            |       |
|  | 868  | Second harmonic   |                           | -50                       |            |       |
|  |  | Third harmonic  |                           | -52                       |            |       |
|  | 915  | Second harmonic   |                           | -50                       |            |       |
|  |  | Third harmonic  |                           | -54                       |            |       |
| Harmonics, conducted                         | 315  | Frequencies below 960 MHz   |                           | +10 dBm CW                | dBm        |       |
|  |  | Frequencies above 960 MHz   |                           |                           |            | < -48 |
|  | 433  | Frequencies below 1 GHz   |                           | +10 dBm CW                | -45        |       |
|  |  | Frequencies above 1 GHz   |                           |                           | < -48      |       |
|  | 868  | Second harmonic   |                           | +10 dBm CW                | -59        |       |
|  |  | Other harmonics   |                           |                           | < -71      |       |
|  | 915  | Second harmonic   |                           | +11 dBm CW <sup>(7)</sup> | -53        |       |
|  |  | Other harmonics   |                           |                           | < -47      |       |
|  | Spurious emissions, conducted, harmonics not included <sup>(8)</sup> | 315   | Frequencies below 960 MHz |                           | +10 dBm CW | dBm   |
|  |  |   | Frequencies above 960 MHz |                           |            |       |
| 433  |  | Frequencies below 1 GHz   |                           | +10 dBm CW                | < -54      |       |
|  |  | Frequencies above 1 GHz   |                           |                           | < -54      |       |
|  |  | Frequencies from 47 to 74, 87.5 to 118, 174 to 230, 470 to 862 MHz                    |                           |                           | < -63      |       |
| 868  |  | Frequencies below 1 GHz   |                           | +10 dBm CW                | < -46      |       |
|  |  | Frequencies above 1 GHz   |                           |                           | < -59      |       |
|  |  | Frequencies from 47 to 74, 87.5 to 118, 174 to 230, 470 to 862 MHz                    |                           |                           | < -56      |       |
| 915  |  | Frequencies below 960 MHz   |                           | +11 dBm CW                | < -49      |       |
|  |  | Frequencies above 960 MHz   |                           |                           | < -63      |       |
| TX latency <sup>(9)</sup>                    |  | Serial operation  |                           | 8                         | bits       |       |

- (1) All measurement results are obtained using the EM430F6137RF900 with BOM according to tested frequency range (see [Table 7-1](#)).
- (2) Differential impedance as seen from the RF port (RF\_P and RF\_N) towards the antenna. Follow the CC430 reference designs available from the TI website.
- (3) Output power is programmable, and the full range is available in all frequency bands. Output power may be restricted by regulatory limits. Also see [AN050 Using the CC1101 in the European 868MHz SRD Band](#) and [DN013 Programming Output Power on CC1101](#), which gives the output power and harmonics when using multilayer inductors. The output power is then typically +10 dBm when operating at 868 or 915 MHz.
- (4) The antennas used during the radiated measurements (SMAFF-433 from R.W.Badland and Nearson S331 868/915) play a part in attenuating the harmonics.
- (5) Measured on EM430F6137RF900 with CW, maximum output power
- (6) All harmonics are below -41.2 dBm when operating in the 902 to 928 MHz band.
- (7) Requirement is -20 dBc under FCC 15.247.
- (8) All radiated spurious emissions are within the limits of ETSI. Also see [DN017 CC11xx 868/915 MHz RF Matching](#).
- (9) Time from sampling the data on the transmitter data input pin until it is observed on the RF output ports



## 5.64 Optimum PATABLE Settings for Various Output Power Levels and Frequency Bands

$T_A = 25^\circ\text{C}$ ,  $V_{CC} = 3\text{ V}$  (unless otherwise noted)<sup>(1)</sup>

| OUTPUT POWER (dBm) | PATABLE SETTING |         |         |         |
|--------------------|-----------------|---------|---------|---------|
|                    | 315 MHz         | 433 MHz | 868 MHz | 915 MHz |
| -30                | 0x12            | 0x05    | 0x03    | 0x03    |
| -12                | 0x33            | 0x26    | 0x25    | 0x25    |
| -6                 | 0x29            | 0x2D    | 0x2D    | 0x2D    |
| 0                  | 0x51            | 0x50    | 0x8D    | 0x8D    |
| 10                 | 0xC4            | 0xC4    | 0xC3    | 0xC3    |
| Maximum            | 0xC0            | 0xC0    | 0xC0    | 0xC0    |

(1) All measurement results are obtained using the EM430F6137RF900 with BOM according to tested frequency range (see [Table 7-1](#)).

### 5.65 Typical Output Power, 315 MHz<sup>(1)</sup>

| PARAMETER             | PATABLE SETTING | V <sub>CC</sub> | 2 V  | 3 V  | 3.6 V | UNIT |
|-----------------------|-----------------|-----------------|------|------|-------|------|
|                       |                 | T <sub>A</sub>  | 25°C | 25°C | 25°C  |      |
| Output power, 315 MHz | 0xC0 (maximum)  |                 | 11.9 | 11.8 | 11.8  | dBm  |
|                       | 0xC4 (10 dBm)   |                 | 10.3 | 10.3 | 10.3  |      |
|                       | 0xC6 (default)  |                 |      | 9.3  |       |      |
|                       | 0x51 (0 dBm)    |                 | 0.7  | 0.6  | 0.7   |      |
|                       | 0x29 (-6 dBm)   |                 | -6.8 | -5.6 | -5.3  |      |

(1) All measurement results are obtained using the EM430F6137RF900 with BOM according to tested frequency range (see Table 7-1).

### 5.66 Typical Output Power, 433 MHz<sup>(1)</sup>

| PARAMETER             | PATABLE SETTING | V <sub>CC</sub> | 2 V  | 3 V  | 3.6 V | UNIT |
|-----------------------|-----------------|-----------------|------|------|-------|------|
|                       |                 | T <sub>A</sub>  | 25°C | 25°C | 25°C  |      |
| Output power, 433 MHz | 0xC0 (maximum)  |                 | 12.6 | 12.6 | 12.6  | dBm  |
|                       | 0xC4 (10 dBm)   |                 | 10.3 | 10.2 | 10.2  |      |
|                       | 0xC6 (default)  |                 |      | 10.0 |       |      |
|                       | 0x50 (0 dBm)    |                 | 0.3  | 0.3  | 0.3   |      |
|                       | 0x2D (-6 dBm)   |                 | -6.4 | -5.4 | -5.1  |      |

(1) All measurement results are obtained using the EM430F6137RF900 with BOM according to tested frequency range (see Table 7-1).

### 5.67 Typical Output Power, 868 MHz<sup>(1)</sup>

| PARAMETER             | PATABLE SETTING | V <sub>CC</sub> | 2 V   |      |      | 3 V   |      |      | 3.6 V |      |      | UNIT |
|-----------------------|-----------------|-----------------|-------|------|------|-------|------|------|-------|------|------|------|
|                       |                 | T <sub>A</sub>  | -40°C | 25°C | 85°C | -40°C | 25°C | 85°C | -40°C | 25°C | 85°C |      |
| Output power, 868 MHz | 0xC0 (maximum)  |                 | 11.9  | 11.2 | 10.5 | 11.9  | 11.2 | 10.5 | 11.9  | 11.2 | 10.5 | dBm  |
|                       | 0xC3 (10 dBm)   |                 | 10.8  | 10.1 | 9.4  | 10.8  | 10.1 | 9.4  | 10.7  | 10.1 | 9.4  |      |
|                       | 0xC6 (default)  |                 |       |      |      |       | 8.8  |      |       |      |      |      |
|                       | 0x8D (0 dBm)    |                 | 1.0   | 0.3  | -0.3 | 1.1   | 0.3  | -0.3 | 1.1   | 0.3  | -0.3 |      |
|                       | 0x2D (-6 dBm)   |                 | -6.5  | -6.8 | -7.3 | -5.3  | -5.8 | -6.3 | -4.9  | -5.4 | -6.0 |      |

(1) All measurement results are obtained using the EM430F6137RF900 with BOM according to tested frequency range (see Table 7-1).

### 5.68 Typical Output Power, 915 MHz<sup>(1)</sup>

| PARAMETER             | PATABLE SETTING | V <sub>CC</sub> | 2 V   |      |      | 3 V   |      |      | 3.6 V |      |      | UNIT |
|-----------------------|-----------------|-----------------|-------|------|------|-------|------|------|-------|------|------|------|
|                       |                 | T <sub>A</sub>  | -40°C | 25°C | 85°C | -40°C | 25°C | 85°C | -40°C | 25°C | 85°C |      |
| Output power, 915 MHz | 0xC0 (maximum)  |                 | 12.2  | 11.4 | 10.6 | 12.1  | 11.4 | 10.7 | 12.1  | 11.4 | 10.7 | dBm  |
|                       | 0xC3 (10 dBm)   |                 | 11.0  | 10.3 | 9.5  | 11.0  | 10.3 | 9.5  | 11.0  | 10.3 | 9.6  |      |
|                       | 0xC6 (default)  |                 |       |      |      |       | 8.8  |      |       |      |      |      |
|                       | 0x8D (0 dBm)    |                 | 1.9   | 1.0  | 0.3  | 1.9   | 1.0  | 0.3  | 1.9   | 1.1  | 0.3  |      |
|                       | 0x2D (-6 dBm)   |                 | -5.5  | -6.0 | -6.5 | -4.3  | -4.8 | -5.5 | -3.9  | -4.4 | -5.1 |      |

(1) All measurement results are obtained using the EM430F6137RF900 with BOM according to tested frequency range (see Table 7-1).

## 5.69 Frequency Synthesizer Characteristics

 $T_A = 25^\circ\text{C}$ ,  $V_{CC} = 3\text{ V}$  (unless otherwise noted)<sup>(1)</sup>

MIN figures are given using a 27MHz crystal. TYP and MAX figures are given using a 26MHz crystal.

| PARAMETER                                      | TEST CONDITIONS             | MIN  | TYP                 | MAX  | UNIT   |
|--|-----------------------------|------|---------------------|------|--------|
| Programmed frequency resolution <sup>(2)</sup> | 26- to 27-MHz crystal       | 397  | $f_{XOSC} / 2^{16}$ | 412  | Hz     |
| Synthesizer frequency tolerance <sup>(3)</sup> |                             |      | ±40                 |      | ppm    |
| RF carrier phase noise                         | 50-kHz offset from carrier  |      | -95                 |      | dBc/Hz |
|  | 100-kHz offset from carrier |      | -94                 |      |        |
|  | 200-kHz offset from carrier |      | -94                 |      |        |
|  | 500-kHz offset from carrier |      | -98                 |      |        |
|  | 1-MHz offset from carrier   |      | -107                |      |        |
|  | 2-MHz offset from carrier   |      | -112                |      |        |
|  | 5-MHz offset from carrier   |      | -118                |      |        |
|  | 10-MHz offset from carrier  |      | -129                |      |        |
| PLL turnon and hop time <sup>(4)</sup>         | Crystal oscillator running  | 85.1 | 88.4                | 88.4 | µs     |
| PLL RX to TX settling time <sup>(5)</sup>      |                             | 9.3  | 9.6                 | 9.6  | µs     |
| PLL TX to RX settling time <sup>(6)</sup>      |                             | 20.7 | 21.5                | 21.5 | µs     |
| PLL calibration time <sup>(7)</sup>            |                             | 694  | 721                 | 721  | µs     |

(1) All measurement results are obtained using the EM430F6137RF900 with BOM according to tested frequency range (see [Table 7-1](#)).

(2) The resolution (in Hz) is equal for all frequency bands.

(3) Depends on crystal used. Required accuracy (including temperature and aging) depends on frequency band and channel bandwidth and spacing.

(4) Time from leaving the IDLE state until arriving in the RX, FSTXON, or TX state, when not performing calibration.

(5) Settling time for the 1-IF step from RX to TX

(6) Settling time for the 1-IF step from TX to RX

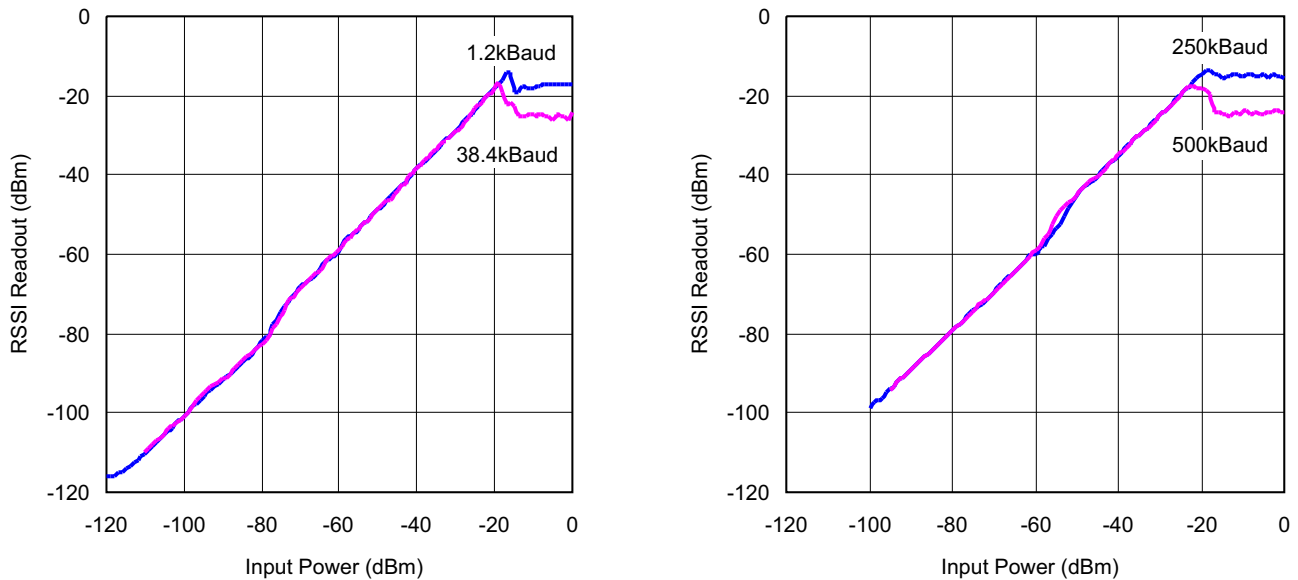
(7) Calibration can be initiated manually or automatically before entering or after leaving RX or TX.

### 5.70 Typical RSSI\_offset Values

T<sub>A</sub> = 25°C, V<sub>CC</sub> = 3 V (unless otherwise noted)<sup>(1)</sup>

| DATA RATE (kBaud) | RSSI_OFFSET (dB) |         |
|-------------------|------------------|---------|
|                   | 433 MHz          | 868 MHz |
| 1.2               | 74               | 74      |
| 38.4              | 74               | 74      |
| 250               | 74               | 74      |
| 500               | 74               | 74      |

(1) All measurement results are obtained using the EM430F6137RF900 with BOM according to tested frequency range (see Table 7-1).

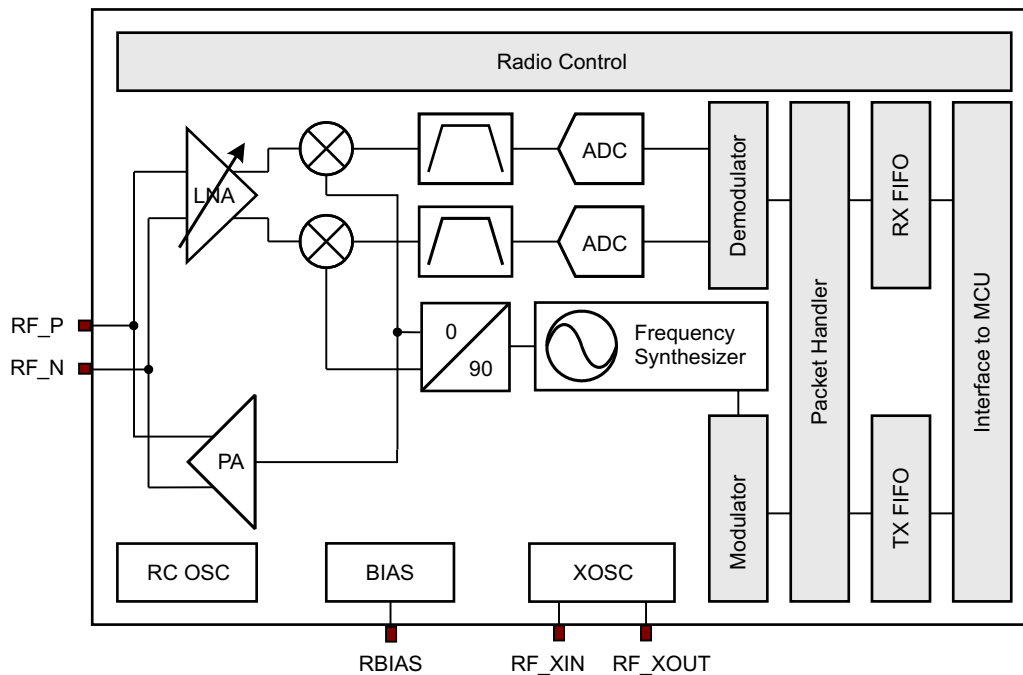


**Figure 5-25. Typical RSSI Value vs Input Power Level for Different Data Rates at 868 MHz**

## 6 Detailed Description

### 6.1 Sub-1 GHz Radio

The implemented sub-1 GHz radio module is based on the industry-leading CC1101, requiring very few external components. [Figure 6-1](#) shows a high-level block diagram of the implemented radio.



Copyright © 2017, Texas Instruments Incorporated

**Figure 6-1. Sub-1 GHz Radio Block Diagram**

The radio features a low-IF receiver. The received RF signal is amplified by a low-noise amplifier (LNA) and down-converted in quadrature to the intermediate frequency (IF). At IF, the I/Q signals are digitized. Automatic gain control (AGC), fine channel filtering, demodulation bit, and packet synchronization are performed digitally.

The transmitter part is based on direct synthesis of the RF. The frequency synthesizer includes a completely on-chip LC VCO and a 90° phase shifter for generating the I and Q LO signals to the down-conversion mixers in receive mode.

The 26-MHz crystal oscillator generates the reference frequency for the synthesizer, as well as clocks for the ADC and the digital part.

A memory mapped register interface is used for data access, configuration, and status request by the CPU.

The digital baseband includes support for channel configuration, packet handling, and data buffering.

For complete module descriptions, see the [CC430 Family User's Guide](#).

## 6.2 CPU

The MSP430 CPU has a 16-bit RISC architecture that is highly transparent to the application. All operations, other than program-flow instructions, are performed as register operations in conjunction with seven addressing modes for source operand and four addressing modes for destination operand.

The CPU is integrated with 16 registers that provide reduced instruction execution time. The register-to-register operation execution time is one cycle of the CPU clock.

Four of the registers, R0 to R3, are dedicated as program counter, stack pointer, status register, and constant generator, respectively. The remaining registers are general-purpose registers.

Peripherals are connected to the CPU using data, address, and control buses. The peripherals can be managed with all instructions.

The instruction set consists of the original 51 instructions with three formats and seven address modes and additional instructions for the expanded address range. Each instruction can operate on word and byte data.

## 6.3 Operating Modes

The CC430 has one active mode and five software-selectable low-power modes of operation. An interrupt event can wake up the device from any of the low-power modes, service the request, and restore back to the low-power mode on return from the interrupt program.

Software can configure the following operating modes:

- Active mode (AM)
  - All clocks are active
- Low-power mode 0 (LPM0)
  - CPU is disabled
  - ACLK and SMCLK remain active, MCLK is disabled
  - FLL loop control remains active
- Low-power mode 1 (LPM1)
  - CPU is disabled
  - FLL loop control is disabled
  - ACLK and SMCLK remain active, MCLK is disabled
- Low-power mode 2 (LPM2)
  - CPU is disabled
  - MCLK and FLL loop control and DCOCLK are disabled
  - DC generator of the DCO remains enabled
  - ACLK remains active
- Low-power mode 3 (LPM3)
  - CPU is disabled
  - MCLK, FLL loop control, and DCOCLK are disabled
  - DC generator of the DCO is disabled
  - ACLK remains active
- Low-power mode 4 (LPM4)
  - CPU is disabled
  - ACLK is disabled
  - MCLK, FLL loop control, and DCOCLK are disabled
  - DC generator of the DCO is disabled
  - Crystal oscillator is stopped
  - Complete data retention

## 6.4 Interrupt Vector Addresses

The interrupt vectors and the power-up start address are located in the address range 0FFFFh–0FF80h (see Table 6-1). The vector contains the 16-bit address of the appropriate interrupt-handler instruction sequence.

asd

**Table 6-1. Interrupt Sources, Flags, and Vectors**

| INTERRUPT SOURCE  | INTERRUPT FLAG   | SYSTEM INTERRUPT | WORD ADDRESS | PRIORITY    |
|---|--|------------------|--------------|-------------|
| <b>System Reset</b><br>Power-Up<br>External Reset<br>Watchdog Time-out, Password Violation<br>Flash Memory Password Violation | WDTIFG, KEYV (SYSRSTIV) <sup>(1)(2)</sup>  | Reset            | 0FFFEh       | 63, highest |
| <b>System NMI</b><br>PMM<br>Vacant Memory Access<br>JTAG Mailbox  | SVMLIFG, SVMHIFG, DLYLIFG, DLYHIFG, VLRLIFG, VLRHIFG, VMAIFG, JMBNIFG, JMBOUTIFG (SYSSNIV) <sup>(1)(3)</sup> | (Non)maskable    | 0FFFCCh      | 62          |
| <b>User NMI</b><br>NMI<br>Oscillator Fault<br>Flash Memory Access Violation   | NMIIFG, OFIFG, ACCVIFG (SYSUNIV) <sup>(1)(3)</sup>   | (Non)maskable    | 0FFFAh       | 61          |
| Comparator_B  | Comparator_B Interrupt Flags (CBIV) <sup>(1)</sup>   | Maskable         | 0FFF8h       | 60          |
| Watchdog Interval Timer Mode  | WDTIFG   | Maskable         | 0FFF6h       | 59          |
| USCI_A0 Receive or Transmit   | UCA0RXIFG, UCA0TXIFG (UCA0IV) <sup>(1)</sup>   | Maskable         | 0FFF4h       | 58          |
| USCI_B0 Receive or Transmit   | UCB0RXIFG, UCB0TXIFG, I <sup>2</sup> C Status Interrupt Flags (UCB0IV) <sup>(1)</sup>                        | Maskable         | 0FFF2h       | 57          |
| ADC12_A<br>(Reserved on CC430F612x)   | ADC12IFG0 ... ADC12IFG15 (ADC12IV) <sup>(1)</sup>  | Maskable         | 0FFF0h       | 56          |
| TA0   | TA0CCR0 CCIFG0   | Maskable         | 0FFEEh       | 55          |
| TA0   | TA0CCR1 CCIFG1 ... TA0CCR4 CCIFG4, TA0IFG (TA0IV) <sup>(1)</sup>   | Maskable         | 0FFECCh      | 54          |
| RF1A CC1101-based Radio   | Radio Interface Interrupt Flags (RF1AIFIV)<br>Radio Core Interrupt Flags (RF1AIV)                            | Maskable         | 0FFEAh       | 53          |
| DMA   | DMA0IFG, DMA1IFG, DMA2IFG (DMAIV) <sup>(1)</sup>   | Maskable         | 0FFE8h       | 52          |
| TA1   | TA1CCR0 CCIFG0   | Maskable         | 0FFE6h       | 51          |
| TA1   | TA1CCR1 CCIFG1 ... TA1CCR2 CCIFG2, TA1IFG (TA1IV) <sup>(1)</sup>   | Maskable         | 0FFE4h       | 50          |
| I/O Port P1   | P1IFG.0 to P1IFG.7 (P1IV) <sup>(1)</sup>   | Maskable         | 0FFE2h       | 49          |
| I/O Port P2   | P2IFG.0 to P2IFG.7 (P2IV) <sup>(1)</sup>   | Maskable         | 0FFE0h       | 48          |
| LCD_B<br>(Reserved on CC430F513x)   | LCD_B Interrupt Flags (LCDBIV) <sup>(1)</sup>  | Maskable         | 0FFDEh       | 47          |
| RTC_A   | RTCRDYIFG, RTCTEVIFG, RTCAIFG, RT0PSIFG, RT1PSIFG (RTCIV) <sup>(1)</sup>                                     | Maskable         | 0FFDCh       | 46          |
| AES   | AESRDYIFG  | Maskable         | 0FFDAh       | 45          |
| Reserved  | Reserved <sup>(4)</sup>  |                  | 0FFD8h       | 44          |
|   |  |                  | ⋮            | ⋮           |
|   |  |                  | 0FF80h       | 0, lowest   |

(1) Multiple source flags

(2) A reset is generated if the CPU tries to fetch instructions from within peripheral space.

(3) (Non)maskable: the individual interrupt-enable bit can disable an interrupt event, but the general-interrupt enable cannot disable it.

(4) Reserved interrupt vectors at addresses are not used in this device and can be used for regular program code if necessary. To maintain compatibility with other devices, reserve these locations.

## 6.5 Memory Organization

Table 6-2 summarizes the memory map of the devices.

**Table 6-2. Memory Organization**

|                                 |                        | CC430F6137<br>CC430F6127<br>CC430F5137 <sup>(1)</sup> | CC430F6126 <sup>(1)</sup> | CC430F6135<br>CC430F6125<br>CC430F5135 <sup>(1)</sup> | CC430F5133 <sup>(1)</sup> |
|---------------------------------|------------------------|---|---------------------------|---|---------------------------|
| Main Memory (flash)             | Total Size             | 32KB  | 32KB                      | 16KB  | 8KB                       |
|                                 | Main: Interrupt vector | 00FFFFh–00FF80h                                       | 00FFFFh–00FF80h           | 00FFFFh–00FF80h                                       | 00FFFFh–00FF80h           |
|                                 | Main: code memory      | Bank 0<br>32KB<br>00FFFFh–008000h                     | 32KB<br>00FFFFh–008000h   | 16KB<br>00FFFFh–00C000h                               | 8KB<br>00FFFFh–00E000h    |
| RAM                             | Total Size             | 4KB   | 2KB                       | 2KB   | 2KB                       |
|                                 | Sect 1                 | 2KB<br>002BFFh–002400h                                | not available             | not available   | not available             |
|                                 | Sect 0                 | 2KB<br>0023FFh–001C00h                                | 2KB<br>0023FFh–001C00h    | 2KB<br>0023FFh–001C00h                                | 2KB<br>0023FFh–001C00h    |
| Device Descriptor               |                        | 128 B<br>001AFFh–001A80h                              | 128 B<br>001AFFh–001A80h  | 128 B<br>001AFFh–001A80h                              | 128 B<br>001AFFh–001A80h  |
|                                 |                        | 128 B<br>001A7Fh–001A00h                              | 128 B<br>001A7Fh–001A00h  | 128 B<br>001A7Fh–001A00h                              | 128 B<br>001A7Fh–001A00h  |
| Information memory (flash)      | Info A                 | 128 B<br>0019FFh–001980h                              | 128 B<br>0019FFh–001980h  | 128 B<br>0019FFh–001980h                              | 128 B<br>0019FFh–001980h  |
|                                 | Info B                 | 128 B<br>00197Fh–001900h                              | 128 B<br>00197Fh–001900h  | 128 B<br>00197Fh–001900h                              | 128 B<br>00197Fh–001900h  |
|                                 | Info C                 | 128 B<br>0018FFh–001880h                              | 128 B<br>0018FFh–001880h  | 128 B<br>0018FFh–001880h                              | 128 B<br>0018FFh–001880h  |
|                                 | Info D                 | 128 B<br>00187Fh–001800h                              | 128 B<br>00187Fh–001800h  | 128 B<br>00187Fh–001800h                              | 128 B<br>00187Fh–001800h  |
| Bootloader (BSL) memory (flash) | BSL 3                  | 512 B<br>0017FFh–001600h                              | 512 B<br>0017FFh–001600h  | 512 B<br>0017FFh–001600h                              | 512 B<br>0017FFh–001600h  |
|                                 | BSL 2                  | 512 B<br>0015FFh–001400h                              | 512 B<br>0015FFh–001400h  | 512 B<br>0015FFh–001400h                              | 512 B<br>0015FFh–001400h  |
|                                 | BSL 1                  | 512 B<br>0013FFh–001200h                              | 512 B<br>0013FFh–001200h  | 512 B<br>0013FFh–001200h                              | 512 B<br>0013FFh–001200h  |
|                                 | BSL 0                  | 512 B<br>0011FFh–001000h                              | 512 B<br>0011FFh–001000h  | 512 B<br>0011FFh–001000h                              | 512 B<br>0011FFh–001000h  |
| Peripherals                     | 4KB<br>000FFFh–0h      | 4KB<br>000FFFh–0h                                     | 4KB<br>000FFFh–0h         | 4KB<br>000FFFh–0h                                     |                           |

(1) All memory regions not specified here are vacant memory, and any access to them causes a Vacant Memory Interrupt.



## 6.6 Bootloader (BSL)

The BSL enables users to program the flash memory or RAM using various serial interfaces. [Table 6-3](#) lists the pin requirements. Access to the device memory through the BSL is protected by a user-defined password. BSL entry requires a specific entry sequence on the  $\overline{\text{RST}}/\text{NMI}/\text{SBWTDIO}$  and  $\text{TEST}/\text{SBWTCK}$  pins. For a complete description of the features of the BSL and its implementation, see [MSP430 Programming With the Bootloader \(BSL\)](#).

**Table 6-3. UART BSL Pin Requirements and Functions**

| DEVICE SIGNAL                                     | BSL FUNCTION          |
|---|-----------------------|
| $\overline{\text{RST}}/\text{NMI}/\text{SBWTDIO}$ | Entry sequence signal |
| $\text{TEST}/\text{SBWTCK}$                       | Entry sequence signal |
| P1.6  | Data transmit         |
| P1.5  | Data receive          |
| VCC   | Power supply          |
| VSS   | Ground supply         |

## 6.7 JTAG Operation

### 6.7.1 JTAG Standard Interface

The CC430 family supports the standard JTAG interface which requires four signals for sending and receiving data. The JTAG signals are shared with general-purpose I/O. The  $\text{TEST}/\text{SBWTCK}$  pin is used to enable the JTAG signals. In addition to these signals, the  $\overline{\text{RST}}/\text{NMI}/\text{SBWTDIO}$  is required to interface with MSP430 development tools and device programmers. [Table 6-4](#) lists the JTAG pin requirements. For further details on interfacing to development tools and device programmers, see the [MSP430 Hardware Tools User's Guide](#). For a complete description of the features of the JTAG interface and its implementation, see [MSP430 Programming With the JTAG Interface](#).

**Table 6-4. JTAG Pin Requirements and Functions**

| DEVICE SIGNAL                                     | DIRECTION | FUNCTION                    |
|---|-----------|-----------------------------|
| PJ.3/TCK  | IN        | JTAG clock input            |
| PJ.2/TMS  | IN        | JTAG state control          |
| PJ.1/TDI/TCLK                                     | IN        | JTAG data input, TCLK input |
| PJ.0/TDO  | OUT       | JTAG data output            |
| $\text{TEST}/\text{SBWTCK}$                       | IN        | Enable JTAG pins            |
| $\overline{\text{RST}}/\text{NMI}/\text{SBWTDIO}$ | IN        | External reset              |
| VCC   |           | Power supply                |
| VSS   |           | Ground supply               |

### 6.7.2 Spy-Bi-Wire Interface

In addition to the standard JTAG interface, the CC430 family supports the two wire Spy-Bi-Wire interface. Spy-Bi-Wire can be used to interface with MSP430 development tools and device programmers. [Table 6-5](#) lists the Spy-Bi-Wire interface pin requirements. For further details on interfacing to development tools and device programmers, see the [MSP430 Hardware Tools User's Guide](#). For a complete description of the features of the JTAG interface and its implementation, see [MSP430 Programming With the JTAG Interface](#).

**Table 6-5. Spy-Bi-Wire Pin Requirements and Functions**

| DEVICE SIGNAL                                     | DIRECTION | FUNCTION                      |
|---|-----------|-------------------------------|
| TEST/SBWTCK                                       | IN        | Spy-Bi-Wire clock input       |
| $\overline{\text{RST}}/\text{NMI}/\text{SBWTDIO}$ | IN, OUT   | Spy-Bi-Wire data input/output |
| VCC   |           | Power supply                  |
| VSS   |           | Ground supply                 |

### 6.8 Flash Memory

The flash memory can be programmed through the JTAG port, Spy-Bi-Wire (SBW), or in-system by the CPU. The CPU can perform single-byte, single-word, and long-word writes to the flash memory. Features of the flash memory include:

- Flash memory has n segments of main memory and four segments of information memory (Info A to Info D) of 128 bytes each. Each segment in main memory is 512 bytes in size.
- Segments 0 to n may be erased in one step, or each segment may be individually erased.
- Segments Info A to Info D can be erased individually, or as a group with the main memory segments. Segments Info A to Info D are also called *information memory*.
- Segment A can be locked separately.

### 6.9 RAM

The RAM is made up of n sectors. Each sector can be completely powered down to save leakage; however, all data are lost. Features of the RAM include:

- RAM has n sectors of 2KB each.
- Each sector 0 to n can be completely disabled; however, data retention is lost.
- Each sector 0 to n automatically enters low power retention mode when possible.

## 6.10 Peripherals

Peripherals are connected to the CPU through data, address, and control buses. The peripherals can be managed using all instructions. For complete module descriptions, see the [CC430 Family User's Guide](#).

### 6.10.1 Oscillator and System Clock

The Unified Clock System (UCS) module includes support for a 32768-Hz watch crystal oscillator, an internal very-low-power low-frequency oscillator (VLO), an internal trimmed low-frequency oscillator (REFO), an integrated internal digitally controlled oscillator (DCO), and a high-frequency crystal oscillator. The UCS module is designed to meet the requirements of both low system cost and low-power consumption. The UCS module features digital frequency locked loop (FLL) hardware that, in conjunction with a digital modulator, stabilizes the DCO frequency to a programmable multiple of the watch crystal frequency. The internal DCO provides a fast turnon clock source and stabilizes in less than 5  $\mu$ s. The UCS module provides the following clock signals:

- Auxiliary clock (ACLK), sourced from a 32768-Hz watch crystal, a high-frequency crystal, the internal low-frequency oscillator (VLO), or the trimmed low-frequency oscillator (REFO).
- Main clock (MCLK), the system clock used by the CPU. MCLK can be sourced by same sources made available to ACLK.
- Sub-Main clock (SMCLK), the subsystem clock used by the peripheral modules. SMCLK can be sourced by same sources made available to ACLK.
- ACLK/n, the buffered output of ACLK, ACLK/2, ACLK/4, ACLK/8, ACLK/16, ACLK/32.

### 6.10.2 Power-Management Module (PMM)

The PMM includes an integrated voltage regulator that supplies the core voltage to the device and contains programmable output levels to provide for power optimization. The PMM also includes supply voltage supervisor (SVS) and supply voltage monitoring (SVM) circuitry, as well as brownout protection. The brownout circuit is implemented to provide the proper internal reset signal to the device during power-on and power-off. The SVS/SVM circuitry detects if the supply voltage drops below a user-selectable level and supports both supply voltage supervision (the device is automatically reset) and supply voltage monitoring (the device is not automatically reset). SVS and SVM circuitry is available on the primary supply and core supply.

### 6.10.3 Digital I/O

Up to five 8-bit I/O ports are implemented: ports P1 through P5.

- All individual I/O bits are independently programmable.
- Any combination of input, output, and interrupt conditions is possible.
- Programmable pullup or pulldown on all ports.
- Programmable drive strength on all ports.
- Edge-selectable interrupt input capability for all the eight bits of ports P1 and P2.
- Read and write access to port-control registers is supported by all instructions.
- Ports can be accessed byte-wise (P1 through P5) or word-wise in pairs (PA and PB).

### 6.10.4 Port Mapping Controller

The port mapping controller allows the flexible and reconfigurable mapping of digital functions to port pins of ports P1 through P3 (see Table 6-6). Table 6-7 lists the default settings for all pins that support port mapping.

**Table 6-6. Port Mapping, Mnemonics and Functions**

| VALUE             | PxMAPy MNEMONIC | INPUT PIN FUNCTION<br>(PxDIR.y = 0)  | OUTPUT PIN FUNCTION<br>(PxDIR.y = 1)     |
|-------------------|-----------------|--|--|
| 0                 | PM_NONE         | None   | DVSS                                     |
| 1 <sup>(1)</sup>  | PM_CBOU0        | –  | Comparator_B output (on TA0 clock input) |
|                   | PM_TA0CLK       | TA0 clock input  | –  |
| 2 <sup>(1)</sup>  | PM_CBOU1        | –  | Comparator_B output (on TA1 clock input) |
|                   | PM_TA1CLK       | TA1 clock input  | –  |
| 3                 | PM_ACLK         | None   | ACLK output                              |
| 4                 | PM_MCLK         | None   | MCLK output                              |
| 5                 | PM_SMCLK        | None   | SMCLK output                             |
| 6                 | PM_RTCCLK       | None   | RTCCLK output                            |
| 7 <sup>(1)</sup>  | PM_ADC12CLK     | –  | ADC12CLK output                          |
|                   | PM_DMAE0        | DMA external trigger input   | –  |
| 8                 | PM_SVMOUT       | None   | SVM output                               |
| 9                 | PM_TA0CCR0A     | TA0 CCR0 capture input CCI0A   | TA0 CCR0 compare output Out0             |
| 10                | PM_TA0CCR1A     | TA0 CCR1 capture input CCI1A   | TA0 CCR1 compare output Out1             |
| 11                | PM_TA0CCR2A     | TA0 CCR2 capture input CCI2A   | TA0 CCR2 compare output Out2             |
| 12                | PM_TA0CCR3A     | TA0 CCR3 capture input CCI3A   | TA0 CCR3 compare output Out3             |
| 13                | PM_TA0CCR4A     | TA0 CCR4 capture input CCI4A   | TA0 CCR4 compare output Out4             |
| 14                | PM_TA1CCR0A     | TA1 CCR0 capture input CCI0A   | TA1 CCR0 compare output Out0             |
| 15                | PM_TA1CCR1A     | TA1 CCR1 capture input CCI1A   | TA1 CCR1 compare output Out1             |
| 16                | PM_TA1CCR2A     | TA1 CCR2 capture input CCI2A   | TA1 CCR2 compare output Out2             |
| 17 <sup>(2)</sup> | PM_UCA0RXD      | USCI_A0 UART RXD (direction controlled by USCI – input)                      |  |
|                   | PM_UCA0SOMI     | USCI_A0 SPI slave out master in (direction controlled by USCI)               |  |
| 18 <sup>(2)</sup> | PM_UCA0TXD      | USCI_A0 UART TXD (direction controlled by USCI – output)                     |  |
|                   | PM_UCA0SIMO     | USCI_A0 SPI slave in master out (direction controlled by USCI)               |  |
| 19 <sup>(3)</sup> | PM_UCA0CLK      | USCI_A0 clock input/output (direction controlled by USCI)                    |  |
|                   | PM_UCB0STE      | USCI_B0 SPI slave transmit enable (direction controlled by USCI – input)     |  |
| 20 <sup>(4)</sup> | PM_UCB0SOMI     | USCI_B0 SPI slave out master in (direction controlled by USCI)               |  |
|                   | PM_UCB0SCL      | USCI_B0 I <sup>2</sup> C clock (open drain and direction controlled by USCI) |  |
| 21 <sup>(4)</sup> | PM_UCB0SIMO     | USCI_B0 SPI slave in master out (direction controlled by USCI)               |  |
|                   | PM_UCB0SDA      | USCI_B0 I <sup>2</sup> C data (open drain and direction controlled by USCI)  |  |
| 22 <sup>(5)</sup> | PM_UCB0CLK      | USCI_B0 clock input/output (direction controlled by USCI)                    |  |
|                   | PM_UCA0STE      | USCI_A0 SPI slave transmit enable (direction controlled by USCI – input)     |  |
| 23                | PM_RFGDO0       | Radio GDO0 (direction controlled by Radio)                                   |  |
| 24                | PM_RFGDO1       | Radio GDO1 (direction controlled by Radio)                                   |  |
| 25                | PM_RFGDO2       | Radio GDO2 (direction controlled by Radio)                                   |  |

- (1) Input or output function is selected by the corresponding setting in the port direction register PxDIR.
- (2) UART or SPI functionality is determined by the selected USCI mode.
- (3) UCA0CLK function takes precedence over UCB0STE function. If the mapped pin is required as UCA0CLK input or output, USCI\_B0 is forced to 3-wire SPI mode even if 4-wire mode is selected.
- (4) SPI or I<sup>2</sup>C functionality is determined by the selected USCI mode. In case the I<sup>2</sup>C functionality is selected the output of the mapped pin drives only the logical 0 to V<sub>SS</sub> level.
- (5) UCB0CLK function takes precedence over UCA0STE function. If the mapped pin is required as UCB0CLK input or output, USCI\_A0 is forced to 3-wire SPI mode even if 4-wire mode is selected.

**Table 6-6. Port Mapping, Mnemonics and Functions (continued)**

| VALUE                    | PxMAPy MNEMONIC | INPUT PIN FUNCTION<br>(PxDIR.y = 0)  | OUTPUT PIN FUNCTION<br>(PxDIR.y = 1) |
|--------------------------|-----------------|--|--------------------------------------|
| 26                       | Reserved        | None   | DVSS                                 |
| 27                       | Reserved        | None   | DVSS                                 |
| 28                       | Reserved        | None   | DVSS                                 |
| 29                       | Reserved        | None   | DVSS                                 |
| 30                       | Reserved        | None   | DVSS                                 |
| 31 (0FFh) <sup>(6)</sup> | PM_ANALOG       | Disables the output driver and the input Schmitt-trigger to prevent parasitic cross currents when applying analog signals. |                                      |

(6) The value of the PM\_ANALOG mnemonic is set to 0FFh. The port mapping registers are only 5 bits wide and the upper bits are ignored, resulting in a read value of 31.

**Table 6-7. Default Mapping**

| PIN         | PxMAPy MNEMONIC        | INPUT PIN FUNCTION<br>(PxDIR.y = 0)   | OUTPUT PIN FUNCTION<br>(PxDIR.y = 1) |
|-------------|------------------------|---|--------------------------------------|
| P1.0/P1MAP0 | PM_RFGDO0              | None  | Radio GDO0                           |
| P1.1/P1MAP1 | PM_RFGDO2              | None  | Radio GDO2                           |
| P1.2/P1MAP2 | PM_UCB0SOMI/PM_UCB0SCL | USCI_B0 SPI slave out master in (direction controlled by USCI),<br>USCI_B0 I <sup>2</sup> C clock (open drain and direction controlled by USCI) |                                      |
| P1.3/P1MAP3 | PM_UCB0SIMO/PM_UCB0SDA | USCI_B0 SPI slave in master out (direction controlled by USCI),<br>USCI_B0 I <sup>2</sup> C data (open drain and direction controlled by USCI)  |                                      |
| P1.4/P1MAP4 | PM_UCB0CLK/PM_UCA0STE  | USCI_B0 clock input/output (direction controlled by USCI),<br>USCI_A0 SPI slave transmit enable (direction controlled by USCI – input)          |                                      |
| P1.5/P1MAP5 | PM_UCA0RXD/PM_UCA0SOMI | USCI_A0 UART RXD (direction controlled by USCI – input),<br>USCI_A0 SPI slave out master in (direction controlled by USCI)                      |                                      |
| P1.6/P1MAP6 | PM_UCA0TXD/PM_UCA0SIMO | USCI_A0 UART TXD (direction controlled by USCI – output),<br>USCI_A0 SPI slave in master out (direction controlled by USCI)                     |                                      |
| P1.7/P1MAP7 | PM_UCA0CLK/PM_UCB0STE  | USCI_A0 clock input/output (direction controlled by USCI),<br>USCI_B0 SPI slave transmit enable (direction controlled by USCI – input)          |                                      |
| P2.0/P2MAP0 | PM_CBOU01/PM_TA1CLK    | TA1 clock input   | Comparator_B output                  |
| P2.1/P2MAP1 | PM_TA1CCR0A            | TA1 CCR0 capture input CCI0A  | TA1 CCR0 compare output Out0         |
| P2.2/P2MAP2 | PM_TA1CCR1A            | TA1 CCR1 capture input CCI1A  | TA1 CCR1 compare output Out1         |
| P2.3/P2MAP3 | PM_TA1CCR2A            | TA1 CCR2 capture input CCI2A  | TA1 CCR2 compare output Out2         |
| P2.4/P2MAP4 | PM_RTCCLK              | None  | RTCCLK output                        |
| P2.5/P2MAP5 | PM_SVMOUT              | None  | SVM output                           |
| P2.6/P2MAP6 | PM_ACLK                | None  | ACLK output                          |
| P2.7/P2MAP7 | PM_ADC12CLK/PM_DMAE0   | DMA external trigger input  | ADC12CLK output                      |
| P3.0/P3MAP0 | PM_CBOU00/PM_TA0CLK    | TA0 clock input   | Comparator_B output                  |
| P3.1/P3MAP1 | PM_TA0CCR0A            | TA0 CCR0 capture input CCI0A  | TA0 CCR0 compare output Out0         |
| P3.2/P3MAP2 | PM_TA0CCR1A            | TA0 CCR1 capture input CCI1A  | TA0 CCR1 compare output Out1         |
| P3.3/P3MAP3 | PM_TA0CCR2A            | TA0 CCR2 capture input CCI2A  | TA0 CCR2 compare output Out2         |
| P3.4/P3MAP4 | PM_TA0CCR3A            | TA0 CCR3 capture input CCI3A  | TA0 CCR3 compare output Out3         |
| P3.5/P3MAP5 | PM_TA0CCR4A            | TA0 CCR4 capture input CCI4A  | TA0 CCR4 compare output Out4         |
| P3.6/P3MAP6 | PM_RFGDO1              | None  | Radio GDO1                           |
| P3.7/P3MAP7 | PM_SMCLK               | None  | SMCLK output                         |

### 6.10.5 System Module (SYS)

The SYS module handles many of the system functions within the device. These functions include power on reset and power up clear handling, NMI source selection and management, reset interrupt vector generators (see [Table 6-8](#)), bootloader entry mechanisms, and configuration management (device descriptors). SYS also includes a data exchange mechanism through JTAG called a JTAG mailbox that can be used in the application.

**Table 6-8. System Module Interrupt Vector Registers**

| INTERRUPT VECTOR REGISTER | ADDRESS    | INTERRUPT EVENT                     | VALUE      | PRIORITY |
|---------------------------|------------|-------------------------------------|------------|----------|
| SYSRSTIV, System Reset    | 019Eh      | No interrupt pending                | 00h        |          |
|                           |            | Brownout (BOR)                      | 02h        | Highest  |
|                           |            | RST/NMI (POR)                       | 04h        |          |
|                           |            | PMMSWBOR (BOR)                      | 06h        |          |
|                           |            | Reserved                            | 08h        |          |
|                           |            | Security violation (BOR)            | 0Ah        |          |
|                           |            | SVSL (POR)                          | 0Ch        |          |
|                           |            | SVSH (POR)                          | 0Eh        |          |
|                           |            | SVML_OVP (POR)                      | 10h        |          |
|                           |            | SVMH_OVP (POR)                      | 12h        |          |
|                           |            | PMMSWPOR (POR)                      | 14h        |          |
|                           |            | WDT time-out (PUC)                  | 16h        |          |
|                           |            | WDT password violation (PUC)        | 18h        |          |
|                           |            | KEYV flash password violation (PUC) | 1Ah        |          |
|                           |            | Reserved                            | 1Ch        |          |
|                           |            | Peripheral area fetch (PUC)         | 1Eh        |          |
|                           |            | PMM password violation (PUC)        | 20h        |          |
| Reserved                  | 22h to 3Eh | Lowest                              |            |          |
| SYSSNIV, System NMI       | 019Ch      | No interrupt pending                | 00h        |          |
|                           |            | SVMLIFG                             | 02h        | Highest  |
|                           |            | SVMHIFG                             | 04h        |          |
|                           |            | DLYLIFG                             | 06h        |          |
|                           |            | DLYHIFG                             | 08h        |          |
|                           |            | VMAIFG                              | 0Ah        |          |
|                           |            | JMBINIFG                            | 0Ch        |          |
|                           |            | JMBOUTIFG                           | 0Eh        |          |
|                           |            | VLRIFG                              | 10h        |          |
|                           |            | VLRHIFG                             | 12h        |          |
|                           |            | Reserved                            | 14h to 1Eh | Lowest   |
| SYSUNIV, User NMI         | 019Ah      | No interrupt pending                | 00h        |          |
|                           |            | NMIIFG                              | 02h        | Highest  |
|                           |            | OFIFG                               | 04h        |          |
|                           |            | ACCVIFG                             | 06h        |          |
|                           |            | Reserved                            | 08h to 1Eh | Lowest   |

### 6.10.6 DMA Controller

The DMA controller allows movement of data from one memory address to another without CPU intervention. Using the DMA controller can increase the throughput of peripheral modules. The DMA controller reduces system power consumption by allowing the CPU to remain in sleep mode, without having to awaken to move data to or from a peripheral. [Table 6-9](#) lists the available triggers for DMA operation.

**Table 6-9. DMA Trigger Assignments<sup>(1)</sup>**

| TRIGGER | CHANNEL                  |                          |                          |
|---------|--------------------------|--------------------------|--------------------------|
|         | 0                        | 1                        | 2                        |
| 0       | DMAREQ                   | DMAREQ                   | DMAREQ                   |
| 1       | TA0CCR0 CCIFG            | TA0CCR0 CCIFG            | TA0CCR0 CCIFG            |
| 2       | TA0CCR2 CCIFG            | TA0CCR2 CCIFG            | TA0CCR2 CCIFG            |
| 3       | TA1CCR0 CCIFG            | TA1CCR0 CCIFG            | TA1CCR0 CCIFG            |
| 4       | TA1CCR2 CCIFG            | TA1CCR2 CCIFG            | TA1CCR2 CCIFG            |
| 5       | Reserved                 | Reserved                 | Reserved                 |
| 6       | Reserved                 | Reserved                 | Reserved                 |
| 7       | Reserved                 | Reserved                 | Reserved                 |
| 8       | Reserved                 | Reserved                 | Reserved                 |
| 9       | Reserved                 | Reserved                 | Reserved                 |
| 10      | Reserved                 | Reserved                 | Reserved                 |
| 11      | Reserved                 | Reserved                 | Reserved                 |
| 12      | Reserved                 | Reserved                 | Reserved                 |
| 13      | Reserved                 | Reserved                 | Reserved                 |
| 14      | Reserved                 | Reserved                 | Reserved                 |
| 15      | Reserved                 | Reserved                 | Reserved                 |
| 16      | UCA0RXIFG                | UCA0RXIFG                | UCA0RXIFG                |
| 17      | UCA0TXIFG                | UCA0TXIFG                | UCA0TXIFG                |
| 18      | UCB0RXIFG                | UCB0RXIFG                | UCB0RXIFG                |
| 19      | UCB0TXIFG                | UCB0TXIFG                | UCB0TXIFG                |
| 20      | Reserved                 | Reserved                 | Reserved                 |
| 21      | Reserved                 | Reserved                 | Reserved                 |
| 22      | Reserved                 | Reserved                 | Reserved                 |
| 23      | Reserved                 | Reserved                 | Reserved                 |
| 24      | ADC12IFGx <sup>(2)</sup> | ADC12IFGx <sup>(2)</sup> | ADC12IFGx <sup>(2)</sup> |
| 25      | Reserved                 | Reserved                 | Reserved                 |
| 26      | Reserved                 | Reserved                 | Reserved                 |
| 27      | Reserved                 | Reserved                 | Reserved                 |
| 28      | Reserved                 | Reserved                 | Reserved                 |
| 29      | MPY ready                | MPY ready                | MPY ready                |
| 30      | DMA2IFG                  | DMA0IFG                  | DMA1IFG                  |
| 31      | DMAE0                    | DMAE0                    | DMAE0                    |

(1) Reserved DMA triggers may be used by other devices in the family. Reserved DMA triggers will not cause any DMA trigger event when selected.

(2) Only on CC430F613x and CC430F513x. Reserved on CC430F612x.

### 6.10.7 Watchdog Timer (WDT\_A)

The primary function of the watchdog timer is to perform a controlled system restart after a software problem occurs. If the selected time interval expires, a system reset is generated. If the watchdog function is not needed in an application, the timer can be configured as an interval timer and can generate interrupts at selected time intervals.

### 6.10.8 CRC16

The CRC16 module produces a signature based on a sequence of entered data values and can be used for data checking purposes. The CRC16 module signature is based on the CRC-CCITT standard.

### 6.10.9 Hardware Multiplier

The multiplication operation is supported by a dedicated peripheral module. The module performs operations with 32-, 24-, 16-, and 8-bit operands. The module supports signed and unsigned multiplication as well as signed and unsigned multiply-and-accumulate operations.

### 6.10.10 AES128 Accelerator

The AES accelerator module performs encryption and decryption of 128-bit data with 128-bit keys according to the Advanced Encryption Standard (AES) (FIPS PUB 197) in hardware.

### 6.10.11 Universal Serial Communication Interface (USCI)

The USCI module is used for serial data communication. The USCI module supports synchronous communication protocols such as SPI (3-pin or 4-pin) and I<sup>2</sup>C, and asynchronous communication protocols such as UART, enhanced UART with automatic baud-rate detection, and IrDA.

The USCI\_An module provides support for SPI (3-pin or 4-pin), UART, enhanced UART, and IrDA.

The USCI\_Bn module provides support for SPI (3-pin or 4-pin) and I<sup>2</sup>C.

One USCI\_A0 and one USCI\_B0 modules are implemented.



### 6.10.12 TA0

TA0 is a 16-bit timer/counter (Timer\_A type) with five capture/compare registers. TA0 can support multiple capture/comparers, PWM outputs, and interval timing. TA0 also has extensive interrupt capabilities (see [Table 6-10](#)). Interrupts may be generated from the counter on overflow conditions and from each of the capture/compare registers.

**Table 6-10. TA0 Signal Connections**

| DEVICE INPUT SIGNAL        | MODULE INPUT NAME | MODULE BLOCK | MODULE OUTPUT SIGNAL | DEVICE OUTPUT SIGNAL                               |
|----------------------------|-------------------|--------------|----------------------|--|
| PM_TA0CLK                  | TACLK             | Timer        | NA                   |  |
| ACLK (internal)            | ACLK              |              |                      |  |
| SMCLK (internal)           | SMCLK             |              |                      |  |
| RFCLK/192 <sup>(1)</sup>   | INCLK             |              |                      |  |
| PM_TA0CCR0A                | CCI0A             | CCR0         | TA0                  | PM_TA0CCR0A  |
| DV <sub>SS</sub>           | CCI0B             |              |                      |  |
| DV <sub>SS</sub>           | GND               |              |                      |  |
| DV <sub>CC</sub>           | V <sub>CC</sub>   |              |                      |  |
| PM_TA0CCR1A                | CCI1A             | CCR1         | TA1                  | PM_TA0CCR1A  |
| CBOUT (internal)           | CCI1B             |              |                      | ADC12 (internal) <sup>(2)</sup><br>ADC12SHSx = {1} |
| DV <sub>SS</sub>           | GND               |              |                      |  |
| DV <sub>CC</sub>           | V <sub>CC</sub>   |              |                      |  |
| PM_TA0CCR2A                | CCI2A             | CCR2         | TA2                  | PM_TA0CCR2A  |
| ACLK (internal)            | CCI2B             |              |                      |  |
| DV <sub>SS</sub>           | GND               |              |                      |  |
| DV <sub>CC</sub>           | V <sub>CC</sub>   |              |                      |  |
| PM_TA0CCR3A                | CCI3A             | CCR3         | TA3                  | PM_TA0CCR3A  |
| GDO1 from Radio (internal) | CCI3B             |              |                      |  |
| DV <sub>SS</sub>           | GND               |              |                      |  |
| DV <sub>CC</sub>           | V <sub>CC</sub>   |              |                      |  |
| PM_TA0CCR4A                | CCI4A             | CCR4         | TA4                  | PM_TA0CCR4A  |
| GDO2 from Radio (internal) | CCI4B             |              |                      |  |
| DV <sub>SS</sub>           | GND               |              |                      |  |
| DV <sub>CC</sub>           | V <sub>CC</sub>   |              |                      |  |

(1) If a different RFCLK divider setting is selected for a radio GDO output, this divider setting is also used for the Timer\_A INCLK.

(2) Only on CC430F613x and CC430F513x

### 6.10.13 TA1

TA1 is a 16-bit timer/counter (Timer\_A type) with three capture/compare registers. TA1 can support multiple capture/compares, PWM outputs, and interval timing (see [Table 6-11](#)). TA1 also has extensive interrupt capabilities. Interrupts may be generated from the counter on overflow conditions and from each of the capture/compare registers.

**Table 6-11. TA1 Signal Connections**

| DEVICE INPUT SIGNAL          | MODULE INPUT NAME | MODULE BLOCK | MODULE OUTPUT SIGNAL | DEVICE OUTPUT SIGNAL       |
|------------------------------|-------------------|--------------|----------------------|----------------------------|
|                              |                   |              |                      | PZ                         |
| PM_TA1CLK                    | TACLK             | Timer        | NA                   |                            |
| ACLK (internal)              | ACLK              |              |                      |                            |
| SMCLK (internal)             | SMCLK             |              |                      |                            |
| RFCLK/192 <sup>(1)</sup>     | INCLK             |              |                      |                            |
| PM_TA1CCR0A                  | CCI0A             | CCR0         | TA0                  | PM_TA1CCR0A                |
| RF Async. Output (internal)  | CCI0B             |              |                      | RF Async. Input (internal) |
| DV <sub>SS</sub>             | GND               |              |                      |                            |
| DV <sub>CC</sub>             | V <sub>CC</sub>   |              |                      |                            |
| PM_TA1CCR1A                  | CCI1A             | CCR1         | TA1                  | PM_TA1CCR1A                |
| CBOU <sub>T</sub> (internal) | CCI1B             |              |                      |                            |
| DV <sub>SS</sub>             | GND               |              |                      |                            |
| DV <sub>CC</sub>             | V <sub>CC</sub>   |              |                      |                            |
| PM_TA1CCR2A                  | CCI2A             | CCR2         | TA2                  | PM_TA1CCR2A                |
| ACLK (internal)              | CCI2B             |              |                      |                            |
| DV <sub>SS</sub>             | GND               |              |                      |                            |
| DV <sub>CC</sub>             | V <sub>CC</sub>   |              |                      |                            |

(1) If a different RFCLK divider setting is selected for a radio GDO output, this divider setting is also used for the Timer\_A INCLK.

### 6.10.14 Real-Time Clock (RTC\_A)

The RTC\_A module can be used as a general-purpose 32-bit counter (counter mode) or as an integrated real-time clock (RTC) (calendar mode). In counter mode, the RTC\_A also includes two independent 8-bit timers that can be cascaded to form a 16-bit timer/counter. Both timers can be read and written by software. Calendar mode integrates an internal calendar which compensates for months with less than 31 days and includes leap year correction. The RTC\_A also supports flexible alarm functions and offset-calibration hardware.

### 6.10.15 Voltage Reference (REF)

REF generates all of the critical reference voltages that can be used by the various analog peripherals in the device. These peripherals include the ADC12\_A, LCD\_B, and COMP\_B modules.

### 6.10.16 LCD\_B (Only CC430F613x and CC430F612x)

The LCD\_B driver generates the segment and common signals required to drive a liquid crystal display (LCD). The LCD\_B controller has dedicated data memories to hold segment drive information. Common and segment signals are generated as defined by the mode. Static, 2-, 3-, and 4-mux LCDs are supported. The module can provide a LCD voltage independent of the supply voltage with its integrated charge pump. It is possible to control the level of the LCD voltage and thus contrast by software. The module also provides an automatic blinking capability for individual segments.

### 6.10.17 *Comparator\_B*

The primary function of the Comparator\_B module is to support precision slope analog-to-digital conversions, battery voltage supervision, and monitoring of external analog signals.

### 6.10.18 *ADC12\_A (Only CC430F613x and CC430F513x)*

The ADC12\_A module supports fast 12-bit analog-to-digital conversions. The module implements a 12-bit SAR core, sample select control, reference generator, and a 16-word conversion-and-control buffer. The conversion-and-control buffer allows up to 16 independent ADC samples to be converted and stored without any CPU intervention.

### 6.10.19 *Embedded Emulation Module (EEM) (S Version)*

The EEM supports real-time in-system debugging. The S version of the EEM has the following features:

- Three hardware triggers or breakpoints on memory access
- One hardware trigger or breakpoint on CPU register write access
- Up to four hardware triggers can be combined to form complex triggers or breakpoints
- One cycle counter
- Clock control on module level

## 6.10.20 Peripheral File Map

Table 6-12 lists the base address for the registers of each peripheral.

**Table 6-12. Peripherals**

| MODULE NAME   | BASE ADDRESS | OFFSET ADDRESS RANGE |
|---|--------------|----------------------|
| Special Functions (see <a href="#">Table 6-13</a> )                               | 0100h        | 000h–01Fh            |
| PMM (see <a href="#">Table 6-14</a> )   | 0120h        | 000h–00Fh            |
| Flash Control (see <a href="#">Table 6-15</a> )                                   | 0140h        | 000h–00Fh            |
| CRC16 (see <a href="#">Table 6-16</a> )   | 0150h        | 000h–007h            |
| RAM Control (see <a href="#">Table 6-17</a> )                                     | 0158h        | 000h–001h            |
| Watchdog (see <a href="#">Table 6-18</a> )  | 015Ch        | 000h–001h            |
| UCS (see <a href="#">Table 6-19</a> )   | 0160h        | 000h–01Fh            |
| SYS (see <a href="#">Table 6-20</a> )   | 0180h        | 000h–01Fh            |
| Shared Reference (see <a href="#">Table 6-21</a> )                                | 01B0h        | 000h–001h            |
| Port Mapping Control (see <a href="#">Table 6-22</a> )                            | 01C0h        | 000h–007h            |
| Port Mapping Port P1 (see <a href="#">Table 6-23</a> )                            | 01C8h        | 000h–007h            |
| Port Mapping Port P2 (see <a href="#">Table 6-24</a> )                            | 01D0h        | 000h–007h            |
| Port Mapping Port P3 (see <a href="#">Table 6-25</a> )                            | 01D8h        | 000h–007h            |
| Port P1, P2 (see <a href="#">Table 6-26</a> )                                     | 0200h        | 000h–01Fh            |
| Port P3, P4 (see <a href="#">Table 6-27</a> )<br>(P4 not available on CC430F513x) | 0220h        | 000h–01Fh            |
| Port P5 (see <a href="#">Table 6-28</a> )   | 0240h        | 000h–01Fh            |
| Port PJ (see <a href="#">Table 6-29</a> )   | 0320h        | 000h–01Fh            |
| TA0 (see <a href="#">Table 6-30</a> )   | 0340h        | 000h–03Fh            |
| TA1 (see <a href="#">Table 6-31</a> )   | 0380h        | 000h–03Fh            |
| RTC_A (see <a href="#">Table 6-32</a> )   | 04A0h        | 000h–01Fh            |
| 32-Bit Hardware Multiplier (see <a href="#">Table 6-33</a> )                      | 04C0h        | 000h–02Fh            |
| DMA Module Control (see <a href="#">Table 6-34</a> )                              | 0500h        | 000h–00Fh            |
| DMA Channel 0 (see <a href="#">Table 6-35</a> )                                   | 0510h        | 000h–00Fh            |
| DMA Channel 1 (see <a href="#">Table 6-36</a> )                                   | 0520h        | 000h–00Fh            |
| DMA Channel 2 (see <a href="#">Table 6-37</a> )                                   | 0530h        | 000h–00Fh            |
| USCI_A0 (see <a href="#">Table 6-38</a> )   | 05C0h        | 000h–01Fh            |
| USCI_B0 (see <a href="#">Table 6-39</a> )   | 05E0h        | 000h–01Fh            |
| ADC12 (see <a href="#">Table 6-40</a> )<br>(only CC430F613x and CC430F513x)       | 0700h        | 000h–03Fh            |
| Comparator_B (see <a href="#">Table 6-41</a> )                                    | 08C0h        | 000h–00Fh            |
| AES Accelerator (see <a href="#">Table 6-42</a> )                                 | 09C0h        | 000h–00Fh            |
| LCD_B (see <a href="#">Table 6-43</a> )<br>(only CC430F613x and CC430F612x)       | 0A00h        | 000h–05Fh            |
| Radio Interface (see <a href="#">Table 6-44</a> )                                 | 0F00h        | 000h–03Fh            |

**Table 6-13. Special Function Registers (Base Address: 0100h)**

| REGISTER DESCRIPTION  | ACRONYM | OFFSET |
|-----------------------|---------|--------|
| SFR interrupt enable  | SFRIE1  | 00h    |
| SFR interrupt flag    | SFRIFG1 | 02h    |
| SFR reset pin control | SFRRPCR | 04h    |

**Table 6-14. PMM Registers (Base Address: 0120h)**

| REGISTER DESCRIPTION     | ACRONYM  | OFFSET |
|--------------------------|----------|--------|
| PMM control 0            | PMMCTL0  | 00h    |
| PMM control 1            | PMMCTL1  | 02h    |
| SVS high side control    | SVSMHCTL | 04h    |
| SVS low side control     | SVSMLCTL | 06h    |
| PMM interrupt flags      | PMMIFG   | 0Ch    |
| PMM interrupt enable     | PMMIE    | 0Eh    |
| PMM power mode 5 control | PM5CTL0  | 10h    |

**Table 6-15. Flash Control Registers (Base Address: 0140h)**

| REGISTER DESCRIPTION | ACRONYM | OFFSET |
|----------------------|---------|--------|
| Flash control 1      | FCTL1   | 00h    |
| Flash control 3      | FCTL3   | 04h    |
| Flash control 4      | FCTL4   | 06h    |

**Table 6-16. CRC16 Registers (Base Address: 0150h)**

| REGISTER DESCRIPTION          | ACRONYM   | OFFSET |
|-------------------------------|-----------|--------|
| CRC data input                | CRC16DI   | 00h    |
| CRC initialization and result | CRCINIRES | 04h    |

**Table 6-17. RAM Control Registers (Base Address: 0158h)**

| REGISTER DESCRIPTION | ACRONYM | OFFSET |
|----------------------|---------|--------|
| RAM control 0        | RCCTL0  | 00h    |

**Table 6-18. Watchdog Registers (Base Address: 015Ch)**

| REGISTER DESCRIPTION   | ACRONYM | OFFSET |
|------------------------|---------|--------|
| Watchdog timer control | WDTCTL  | 00h    |

**Table 6-19. UCS Registers (Base Address: 0160h)**

| REGISTER DESCRIPTION | ACRONYM | OFFSET |
|----------------------|---------|--------|
| UCS control 0        | UCSCTL0 | 00h    |
| UCS control 1        | UCSCTL1 | 02h    |
| UCS control 2        | UCSCTL2 | 04h    |
| UCS control 3        | UCSCTL3 | 06h    |
| UCS control 4        | UCSCTL4 | 08h    |
| UCS control 5        | UCSCTL5 | 0Ah    |
| UCS control 6        | UCSCTL6 | 0Ch    |
| UCS control 7        | UCSCTL7 | 0Eh    |
| UCS control 8        | UCSCTL8 | 10h    |

**Table 6-20. SYS Registers (Base Address: 0180h)**

| REGISTER DESCRIPTION          | ACRONYM   | OFFSET |
|-------------------------------|-----------|--------|
| System control                | SYSCTL    | 00h    |
| Bootloader configuration area | SYSBSLC   | 02h    |
| JTAG mailbox control          | SYSJMBC   | 06h    |
| JTAG mailbox input 0          | SYSJMBI0  | 08h    |
| JTAG mailbox input 1          | SYSJMBI1  | 0Ah    |
| JTAG mailbox output 0         | SYSJMBO0  | 0Ch    |
| JTAG mailbox output 1         | SYSJMBO1  | 0Eh    |
| Bus error vector generator    | SYSBERRIV | 18h    |
| User NMI vector generator     | SYSUNIV   | 1Ah    |
| System NMI vector generator   | SYSSNIV   | 1Ch    |
| Reset vector generator        | SYSRSTIV  | 1Eh    |

**Table 6-21. Shared Reference Registers (Base Address: 01B0h)**

| REGISTER DESCRIPTION     | ACRONYM | OFFSET |
|--------------------------|---------|--------|
| Shared reference control | REFCTL  | 00h    |

**Table 6-22. Port Mapping Control Registers (Base Address: 01C0h)**

| REGISTER DESCRIPTION | ACRONYM   | OFFSET |
|----------------------|-----------|--------|
| Port mapping key     | PMAPKEYID | 00h    |
| Port mapping control | PMAPCTL   | 02h    |

**Table 6-23. Port Mapping Port P1 Registers (Base Address: 01C8h)**

| REGISTER DESCRIPTION | ACRONYM | OFFSET |
|----------------------|---------|--------|
| Port P1.0 mapping    | P1MAP0  | 00h    |
| Port P1.1 mapping    | P1MAP1  | 01h    |
| Port P1.2 mapping    | P1MAP2  | 02h    |
| Port P1.3 mapping    | P1MAP3  | 03h    |
| Port P1.4 mapping    | P1MAP4  | 04h    |
| Port P1.5 mapping    | P1MAP5  | 05h    |
| Port P1.6 mapping    | P1MAP6  | 06h    |
| Port P1.7 mapping    | P1MAP7  | 07h    |

**Table 6-24. Port Mapping Port P2 Registers (Base Address: 01D0h)**

| REGISTER DESCRIPTION | ACRONYM | OFFSET |
|----------------------|---------|--------|
| Port P2.0 mapping    | P2MAP0  | 00h    |
| Port P2.1 mapping    | P2MAP1  | 01h    |
| Port P2.2 mapping    | P2MAP2  | 02h    |
| Port P2.3 mapping    | P2MAP3  | 03h    |
| Port P2.4 mapping    | P2MAP4  | 04h    |
| Port P2.5 mapping    | P2MAP5  | 05h    |
| Port P2.6 mapping    | P2MAP6  | 06h    |
| Port P2.7 mapping    | P2MAP7  | 07h    |

**Table 6-25. Port Mapping Port P3 Registers (Base Address: 01D8h)**

| REGISTER DESCRIPTION | ACRONYM | OFFSET |
|----------------------|---------|--------|
| Port P3.0 mapping    | P3MAP0  | 00h    |
| Port P3.1 mapping    | P3MAP1  | 01h    |
| Port P3.2 mapping    | P3MAP2  | 02h    |
| Port P3.3 mapping    | P3MAP3  | 03h    |
| Port P3.4 mapping    | P3MAP4  | 04h    |
| Port P3.5 mapping    | P3MAP5  | 05h    |
| Port P3.6 mapping    | P3MAP6  | 06h    |
| Port P3.7 mapping    | P3MAP7  | 07h    |

**Table 6-26. Port P1, P2 Registers (Base Address: 0200h)**

| REGISTER DESCRIPTION           | ACRONYM | OFFSET |
|--------------------------------|---------|--------|
| Port P1 input                  | P1IN    | 00h    |
| Port P1 output                 | P1OUT   | 02h    |
| Port P1 direction              | P1DIR   | 04h    |
| Port P1 pullup/pulldown enable | P1REN   | 06h    |
| Port P1 drive strength         | P1DS    | 08h    |
| Port P1 selection              | P1SEL   | 0Ah    |
| Port P1 interrupt vector word  | P1IV    | 0Eh    |
| Port P1 interrupt edge select  | P1IES   | 18h    |
| Port P1 interrupt enable       | P1IE    | 1Ah    |
| Port P1 interrupt flag         | P1IFG   | 1Ch    |
| Port P2 input                  | P2IN    | 01h    |
| Port P2 output                 | P2OUT   | 03h    |
| Port P2 direction              | P2DIR   | 05h    |
| Port P2 pullup/pulldown enable | P2REN   | 07h    |
| Port P2 drive strength         | P2DS    | 09h    |
| Port P2 selection              | P2SEL   | 0Bh    |
| Port P2 interrupt vector word  | P2IV    | 1Eh    |
| Port P2 interrupt edge select  | P2IES   | 19h    |
| Port P2 interrupt enable       | P2IE    | 1Bh    |
| Port P2 interrupt flag         | P2IFG   | 1Dh    |

**Table 6-27. Port P3, P4 Registers (Base Address: 0220h)**

| REGISTER DESCRIPTION           | ACRONYM | OFFSET |
|--------------------------------|---------|--------|
| Port P3 input                  | P3IN    | 00h    |
| Port P3 output                 | P3OUT   | 02h    |
| Port P3 direction              | P3DIR   | 04h    |
| Port P3 pullup/pulldown enable | P3REN   | 06h    |
| Port P3 drive strength         | P3DS    | 08h    |
| Port P3 selection              | P3SEL   | 0Ah    |
| Port P4 input                  | P4IN    | 01h    |
| Port P4 output                 | P4OUT   | 03h    |
| Port P4 direction              | P4DIR   | 05h    |
| Port P4 pullup/pulldown enable | P4REN   | 07h    |
| Port P4 drive strength         | P4DS    | 09h    |
| Port P4 selection              | P4SEL   | 0Bh    |

**Table 6-28. Port P5 Registers (Base Address: 0240h)**

| REGISTER DESCRIPTION           | ACRONYM | OFFSET |
|--------------------------------|---------|--------|
| Port P5 input                  | P5IN    | 00h    |
| Port P5 output                 | P5OUT   | 02h    |
| Port P5 direction              | P5DIR   | 04h    |
| Port P5 pullup/pulldown enable | P5REN   | 06h    |
| Port P5 drive strength         | P5DS    | 08h    |
| Port P5 selection              | P5SEL   | 0Ah    |

**Table 6-29. Port J Registers (Base Address: 0320h)**

| REGISTER DESCRIPTION           | ACRONYM | OFFSET |
|--------------------------------|---------|--------|
| Port PJ input                  | PJIN    | 00h    |
| Port PJ output                 | PJOUT   | 02h    |
| Port PJ direction              | PJDIR   | 04h    |
| Port PJ pullup/pulldown enable | PJREN   | 06h    |
| Port PJ drive strength         | PJDS    | 08h    |

**Table 6-30. TA0 Registers (Base Address: 0340h)**

| REGISTER DESCRIPTION      | ACRONYM | OFFSET |
|---------------------------|---------|--------|
| TA0 control               | TAOCTL  | 00h    |
| Capture/compare control 0 | TAOCTL0 | 02h    |
| Capture/compare control 1 | TAOCTL1 | 04h    |
| Capture/compare control 2 | TAOCTL2 | 06h    |
| Capture/compare control 3 | TAOCTL3 | 08h    |
| Capture/compare control 4 | TAOCTL4 | 0Ah    |
| TA0 counter               | TAOR    | 10h    |
| Capture/compare 0         | TAOCCR0 | 12h    |
| Capture/compare 1         | TAOCCR1 | 14h    |
| Capture/compare 2         | TAOCCR2 | 16h    |
| Capture/compare 3         | TAOCCR3 | 18h    |
| Capture/compare 4         | TAOCCR4 | 1Ah    |
| TA0 expansion 0           | TAOEX0  | 20h    |
| TA0 interrupt vector      | TAOIV   | 2Eh    |

**Table 6-31. TA1 Registers (Base Address: 0380h)**

| REGISTER DESCRIPTION      | ACRONYM | OFFSET |
|---------------------------|---------|--------|
| TA1 control               | TA1CTL  | 00h    |
| Capture/compare control 0 | TA1CTL0 | 02h    |
| Capture/compare control 1 | TA1CTL1 | 04h    |
| Capture/compare control 2 | TA1CTL2 | 06h    |
| TA1 counter               | TA1R    | 10h    |
| Capture/compare 0         | TA1CCR0 | 12h    |
| Capture/compare 1         | TA1CCR1 | 14h    |
| Capture/compare 2         | TA1CCR2 | 16h    |
| TA1 expansion 0           | TA1EX0  | 20h    |
| TA1 interrupt vector      | TA1IV   | 2Eh    |



**Table 6-32. Real-Time Clock Registers (Base Address: 04A0h)**

| REGISTER DESCRIPTION      | ACRONYM        | OFFSET |
|---------------------------|----------------|--------|
| RTC control 0             | RTCCTL0        | 00h    |
| RTC control 1             | RTCCTL1        | 01h    |
| RTC control 2             | RTCCTL2        | 02h    |
| RTC control 3             | RTCCTL3        | 03h    |
| RTC prescaler 0 control   | RTCPS0CTL      | 08h    |
| RTC prescaler 1 control   | RTCPS1CTL      | 0Ah    |
| RTC prescaler 0           | RTCPS0         | 0Ch    |
| RTC prescaler 1           | RTCPS1         | 0Dh    |
| RTC interrupt vector word | RTCIV          | 0Eh    |
| RTC seconds/counter 1     | RTCSEC/RTCNT1  | 10h    |
| RTC minutes/counter 2     | RTCMIN/RTCNT2  | 11h    |
| RTC hours/counter 3       | RTCHOUR/RTCNT3 | 12h    |
| RTC day of week/counter 4 | RTCDOW/RTCNT4  | 13h    |
| RTC days                  | RTCDAY         | 14h    |
| RTC month                 | RTCMON         | 15h    |
| RTC year low              | RTCYEARL       | 16h    |
| RTC year high             | RTCYEARH       | 17h    |
| RTC alarm minutes         | RTCAMIN        | 18h    |
| RTC alarm hours           | RTCAHOUR       | 19h    |
| RTC alarm day of week     | RTCADOW        | 1Ah    |
| RTC alarm days            | RTCADAY        | 1Bh    |

**Table 6-33. 32-Bit Hardware Multiplier Registers (Base Address: 04C0h)**

| REGISTER DESCRIPTION                                    | ACRONYM   | OFFSET |
|---|-----------|--------|
| 16-bit operand 1 – multiply                             | MPY       | 00h    |
| 16-bit operand 1 – signed multiply                      | MPYS      | 02h    |
| 16-bit operand 1 – multiply accumulate                  | MAC       | 04h    |
| 16-bit operand 1 – signed multiply accumulate           | MACS      | 06h    |
| 16-bit operand 2  | OP2       | 08h    |
| 16 × 16 result low word                                 | RESLO     | 0Ah    |
| 16 × 16 result high word                                | RESHI     | 0Ch    |
| 16 × 16 sum extension                                   | SUMEXT    | 0Eh    |
| 32-bit operand 1 – multiply low word                    | MPY32L    | 10h    |
| 32-bit operand 1 – multiply high word                   | MPY32H    | 12h    |
| 32-bit operand 1 – signed multiply low word             | MPYS32L   | 14h    |
| 32-bit operand 1 – signed multiply high word            | MPYS32H   | 16h    |
| 32-bit operand 1 – multiply accumulate low word         | MAC32L    | 18h    |
| 32-bit operand 1 – multiply accumulate high word        | MAC32H    | 1Ah    |
| 32-bit operand 1 – signed multiply accumulate low word  | MACS32L   | 1Ch    |
| 32-bit operand 1 – signed multiply accumulate high word | MACS32H   | 1Eh    |
| 32-bit operand 2 – low word                             | OP2L      | 20h    |
| 32-bit operand 2 – high word                            | OP2H      | 22h    |
| 32 × 32 result 0 – least significant word               | RES0      | 24h    |
| 32 × 32 result 1  | RES1      | 26h    |
| 32 × 32 result 2  | RES2      | 28h    |
| 32 × 32 result 3 – most significant word                | RES3      | 2Ah    |
| MPY32 control 0   | MPY32CTL0 | 2Ch    |

**Table 6-34. DMA Module Control Registers (Base Address: 0500h)**

| REGISTER DESCRIPTION | ACRONYM | OFFSET |
|----------------------|---------|--------|
| DMA module control 0 | DMACTL0 | 00h    |
| DMA module control 1 | DMACTL1 | 02h    |
| DMA module control 2 | DMACTL2 | 04h    |
| DMA module control 3 | DMACTL3 | 06h    |
| DMA module control 4 | DMACTL4 | 08h    |
| DMA interrupt vector | DMAIV   | 0Ah    |

**Table 6-35. DMA Channel 0 Registers (Base Address: 0510h)**

| REGISTER DESCRIPTION                   | ACRONYM | OFFSET |
|--|---------|--------|
| DMA channel 0 control                  | DMA0CTL | 00h    |
| DMA channel 0 source address low       | DMA0SAL | 02h    |
| DMA channel 0 source address high      | DMA0SAH | 04h    |
| DMA channel 0 destination address low  | DMA0DAL | 06h    |
| DMA channel 0 destination address high | DMA0DAH | 08h    |
| DMA channel 0 transfer size            | DMA0SZ  | 0Ah    |

**Table 6-36. DMA Channel 1 Registers (Base Address: 0520h)**

| REGISTER DESCRIPTION                   | ACRONYM | OFFSET |
|--|---------|--------|
| DMA channel 1 control                  | DMA1CTL | 00h    |
| DMA channel 1 source address low       | DMA1SAL | 02h    |
| DMA channel 1 source address high      | DMA1SAH | 04h    |
| DMA channel 1 destination address low  | DMA1DAL | 06h    |
| DMA channel 1 destination address high | DMA1DAH | 08h    |
| DMA channel 1 transfer size            | DMA1SZ  | 0Ah    |

**Table 6-37. DMA Channel 2 Registers (Base Address: 0530h)**

| REGISTER DESCRIPTION                   | ACRONYM | OFFSET |
|--|---------|--------|
| DMA channel 2 control                  | DMA2CTL | 00h    |
| DMA channel 2 source address low       | DMA2SAL | 02h    |
| DMA channel 2 source address high      | DMA2SAH | 04h    |
| DMA channel 2 destination address low  | DMA2DAL | 06h    |
| DMA channel 2 destination address high | DMA2DAH | 08h    |
| DMA channel 2 transfer size            | DMA2SZ  | 0Ah    |

**Table 6-38. USCI\_A0 Registers (Base Address: 05C0h)**

| REGISTER DESCRIPTION       | ACRONYM    | OFFSET |
|----------------------------|------------|--------|
| USCI control 1             | UCA0CTL1   | 00h    |
| USCI control 0             | UCA0CTL0   | 01h    |
| USCI baud rate 0           | UCA0BR0    | 06h    |
| USCI baud rate 1           | UCA0BR1    | 07h    |
| USCI modulation control    | UCA0MCTL   | 08h    |
| USCI status                | UCA0STAT   | 0Ah    |
| USCI receive buffer        | UCA0RXBUF  | 0Ch    |
| USCI transmit buffer       | UCA0TXBUF  | 0Eh    |
| USCI LIN control           | UCA0ABCTL  | 10h    |
| USCI IrDA transmit control | UCA0IRTCTL | 12h    |
| USCI IrDA receive control  | UCA0IRRCTL | 13h    |
| USCI interrupt enable      | UCA0IE     | 1Ch    |
| USCI interrupt flags       | UCA0IFG    | 1Dh    |
| USCI interrupt vector word | UCA0IV     | 1Eh    |

**Table 6-39. USCI\_B0 Registers (Base Address: 05E0h)**

| REGISTER DESCRIPTION             | ACRONYM   | OFFSET |
|----------------------------------|-----------|--------|
| USCI synchronous control 1       | UCB0CTL1  | 00h    |
| USCI synchronous control 0       | UCB0CTL0  | 01h    |
| USCI synchronous bit rate 0      | UCB0BR0   | 06h    |
| USCI synchronous bit rate 1      | UCB0BR1   | 07h    |
| USCI synchronous status          | UCB0STAT  | 0Ah    |
| USCI synchronous receive buffer  | UCB0RXBUF | 0Ch    |
| USCI synchronous transmit buffer | UCB0TXBUF | 0Eh    |
| USCI I2C own address             | UCB0I2COA | 10h    |
| USCI I2C slave address           | UCB0I2CSA | 12h    |
| USCI interrupt enable            | UCB0IE    | 1Ch    |
| USCI interrupt flags             | UCB0IFG   | 1Dh    |
| USCI interrupt vector word       | UCB0IV    | 1Eh    |

**Table 6-40. ADC12\_A Registers (Base Address: 0700h)**

| REGISTER DESCRIPTION  | ACRONYM     | OFFSET |
|-----------------------|-------------|--------|
| Control 0             | ADC12CTL0   | 00h    |
| Control 1             | ADC12CTL1   | 02h    |
| Control 2             | ADC12CTL2   | 04h    |
| Interrupt flag        | ADC12IFG    | 0Ah    |
| Interrupt enable      | ADC12IE     | 0Ch    |
| Interrupt vector word | ADC12IV     | 0Eh    |
| ADC memory-control 0  | ADC12MCTL0  | 10h    |
| ADC memory-control 1  | ADC12MCTL1  | 11h    |
| ADC memory-control 2  | ADC12MCTL2  | 12h    |
| ADC memory-control 3  | ADC12MCTL3  | 13h    |
| ADC memory-control 4  | ADC12MCTL4  | 14h    |
| ADC memory-control 5  | ADC12MCTL5  | 15h    |
| ADC memory-control 6  | ADC12MCTL6  | 16h    |
| ADC memory-control 7  | ADC12MCTL7  | 17h    |
| ADC memory-control 8  | ADC12MCTL8  | 18h    |
| ADC memory-control 9  | ADC12MCTL9  | 19h    |
| ADC memory-control 10 | ADC12MCTL10 | 1Ah    |
| ADC memory-control 11 | ADC12MCTL11 | 1Bh    |
| ADC memory-control 12 | ADC12MCTL12 | 1Ch    |
| ADC memory-control 13 | ADC12MCTL13 | 1Dh    |
| ADC memory-control 14 | ADC12MCTL14 | 1Eh    |
| ADC memory-control 15 | ADC12MCTL15 | 1Fh    |
| Conversion memory 0   | ADC12MEM0   | 20h    |
| Conversion memory 1   | ADC12MEM1   | 22h    |
| Conversion memory 2   | ADC12MEM2   | 24h    |
| Conversion memory 3   | ADC12MEM3   | 26h    |
| Conversion memory 4   | ADC12MEM4   | 28h    |
| Conversion memory 5   | ADC12MEM5   | 2Ah    |
| Conversion memory 6   | ADC12MEM6   | 2Ch    |
| Conversion memory 7   | ADC12MEM7   | 2Eh    |
| Conversion memory 8   | ADC12MEM8   | 30h    |
| Conversion memory 9   | ADC12MEM9   | 32h    |
| Conversion memory 10  | ADC12MEM10  | 34h    |
| Conversion memory 11  | ADC12MEM11  | 36h    |
| Conversion memory 12  | ADC12MEM12  | 38h    |
| Conversion memory 13  | ADC12MEM13  | 3Ah    |
| Conversion memory 14  | ADC12MEM14  | 3Ch    |
| Conversion memory 15  | ADC12MEM15  | 3Eh    |

**Table 6-41. Comparator\_B Registers (Base Address: 08C0h)**

| REGISTER DESCRIPTION         | ACRONYM | OFFSET |
|------------------------------|---------|--------|
| Comp_B control 0             | CBCTL0  | 00h    |
| Comp_B control 1             | CBCTL1  | 02h    |
| Comp_B control 2             | CBCTL2  | 04h    |
| Comp_B control 3             | CBCTL3  | 06h    |
| Comp_B interrupt             | CBINT   | 0Ch    |
| Comp_B interrupt vector word | CBIV    | 0Eh    |

**Table 6-42. AES Accelerator Registers (Base Address: 09C0h)**

| REGISTER DESCRIPTION      | ACRONYM  | OFFSET |
|---------------------------|----------|--------|
| AES accelerator control 0 | AESACTL0 | 00h    |
| Reserved                  |          | 02h    |
| AES accelerator status    | AESASTAT | 04h    |
| AES accelerator key       | AESAKEY  | 06h    |
| AES accelerator data in   | AESADIN  | 008h   |
| AES accelerator data out  | AESADOUT | 00Ah   |

**Table 6-43. LCD\_B Registers (Base Address: 0A00h)**

| REGISTER DESCRIPTION        | ACRONYM    | OFFSET |
|-----------------------------|------------|--------|
| LCD_B control 0             | LCDBCTL0   | 000h   |
| LCD_B control 1             | LCDBCTL1   | 002h   |
| LCD_B blinking control      | LCDBBLKCTL | 004h   |
| LCD_B memory control        | LCDBMEMCTL | 006h   |
| LCD_B voltage control       | LCDBVCTL   | 008h   |
| LCD_B port control 0        | LCDBPCTL0  | 00Ah   |
| LCD_B port control 1        | LCDBPCTL1  | 00Ch   |
| LCD_B charge pump control   | LCDBCTL0   | 012h   |
| LCD_B interrupt vector word | LCDBIV     | 01Eh   |
| LCD_B memory 1              | LCDM1      | 020h   |
| LCD_B memory 2              | LCDM2      | 021h   |
| ...                         |            |        |
| LCD_B memory 14             | LCDM14     | 02Dh   |
| LCD_B blinking memory 1     | LCDBM1     | 040h   |
| LCD_B blinking memory 2     | LCDBM2     | 041h   |
| ...                         |            |        |
| LCD_B blinking memory 14    | LCDBM14    | 04Dh   |

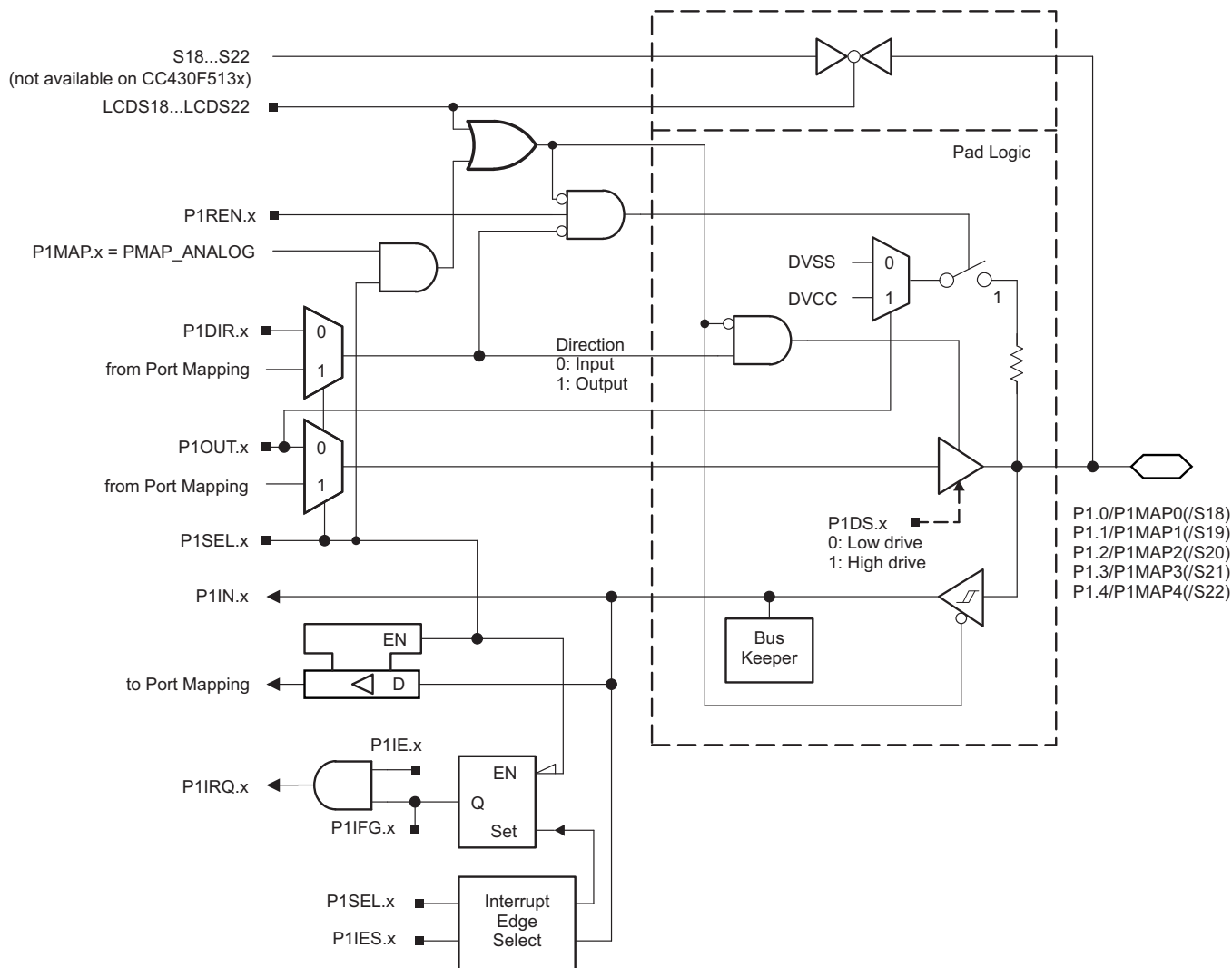
**Table 6-44. Radio Interface Registers (Base Address: 0F00h)**

| REGISTER DESCRIPTION                     | ACRONYM     | OFFSET |
|--|-------------|--------|
| Radio interface control 0                | RF1AIFCTL0  | 00h    |
| Radio interface control 1                | RF1AIFCTL1  | 02h    |
| Radio interface error flag               | RF1AIFERR   | 06h    |
| Radio interface error vector word        | RF1AIFERRV  | 0Ch    |
| Radio interface interrupt vector word    | RF1AIFIV    | 0Eh    |
| Radio instruction word                   | RF1AINSTRW  | 10h    |
| Radio instruction word, 1-byte auto-read | RF1AINSTR1W | 12h    |
| Radio instruction word, 2-byte auto-read | RF1AINSTR2W | 14h    |
| Radio data in                            | RF1ADINW    | 16h    |
| Radio status word                        | RF1ASTATW   | 20h    |
| Radio status word, 1-byte auto-read      | RF1ASTAT1W  | 22h    |
| Radio status word, 2-byte auto-read      | RF1AISTAT2W | 24h    |
| Radio data out                           | RF1ADOUTW   | 28h    |
| Radio data out, 1-byte auto-read         | RF1ADOUT1W  | 2Ah    |
| Radio data out, 2-byte auto-read         | RF1ADOUT2W  | 2Ch    |
| Radio core signal input                  | RF1AIN      | 30h    |
| Radio core interrupt flag                | RF1AIFG     | 32h    |
| Radio core interrupt edge select         | RF1AIES     | 34h    |
| Radio core interrupt enable              | RF1AIE      | 36h    |
| Radio core interrupt vector word         | RF1AIV      | 38h    |

## 6.11 Input/Output Diagrams

### 6.11.1 Port P1 (P1.0 to P1.4) Input/Output With Schmitt Trigger

Figure 6-2 shows the port diagram. Table 6-45 summarizes the selection of the pin functions.



CC430F513x devices do not provide LCD functionality on port P1 pins.

**Figure 6-2. Port P1 (P1.0 to P1.4) Diagram**

**Table 6-45. Port P1 (P1.0 to P1.4) Pin Functions**

| PIN NAME (P1.x) | x | FUNCTION  | CONTROL BITS OR SIGNALS <sup>(1)</sup> |         |                     |                                 |
|-----------------|---|---|--|---------|---------------------|---------------------------------|
|                 |   |   | P1DIR.x                                | P1SEL.x | P1MAPx              | LCDS18 to LCDS22 <sup>(2)</sup> |
| P1.0/P1MAP/S18  | 0 | P1.0 (I/O)  | I: 0; O: 1                             | 0       | X                   | 0                               |
|                 |   | Mapped secondary digital function – see <a href="#">Table 6-6</a> | 0; 1 <sup>(3)</sup>                    | 1       | ≤ 30 <sup>(3)</sup> | 0                               |
|                 |   | Output driver and input Schmitt trigger disabled                  | X                                      | 1       | = 31                | 0                               |
|                 |   | S18 (not available on CC430F513x)                                 | X                                      | X       | X                   | 1                               |
| P1.1/P1MAP1/S19 | 1 | P1.1 (I/O)  | I: 0; O: 1                             | 0       | X                   | 0                               |
|                 |   | Mapped secondary digital function – see <a href="#">Table 6-6</a> | 0; 1 <sup>(3)</sup>                    | 1       | ≤ 30 <sup>(3)</sup> | 0                               |
|                 |   | Output driver and input Schmitt trigger disabled                  | X                                      | 1       | = 31                | 0                               |
|                 |   | S19 (not available on CC430F513x)                                 | X                                      | X       | X                   | 1                               |
| P1.2/P1MAP2/S20 | 2 | P1.2 (I/O)  | I: 0; O: 1                             | 0       | X                   | 0                               |
|                 |   | Mapped secondary digital function – see <a href="#">Table 6-6</a> | 0; 1 <sup>(3)</sup>                    | 1       | ≤ 30 <sup>(3)</sup> | 0                               |
|                 |   | Output driver and input Schmitt trigger disabled                  | X                                      | 1       | = 31                | 0                               |
|                 |   | S22 (not available on CC430F513x)                                 | X                                      | X       | X                   | 1                               |
| P1.3/P1MAP3/S21 | 3 | P1.3 (I/O)  | I: 0; O: 1                             | 0       | X                   | 0                               |
|                 |   | Mapped secondary digital function – see <a href="#">Table 6-6</a> | 0; 1 <sup>(3)</sup>                    | 1       | ≤ 30 <sup>(3)</sup> | 0                               |
|                 |   | Output driver and input Schmitt trigger disabled                  | X                                      | 1       | = 31                | 0                               |
|                 |   | S21 (not available on CC430F513x)                                 | X                                      | X       | X                   | 1                               |
| P1.4/P1MAP4/S22 | 4 | P1.4 (I/O)  | I: 0; O: 1                             | 0       | X                   | 0                               |
|                 |   | Mapped secondary digital function – see <a href="#">Table 6-6</a> | 0; 1 <sup>(3)</sup>                    | 1       | ≤ 30 <sup>(3)</sup> | 0                               |
|                 |   | Output driver and input Schmitt trigger disabled                  | X                                      | 1       | = 31                | 0                               |
|                 |   | S22 (not available on CC430F513x)                                 | X                                      | X       | X                   | 1                               |

- (1) X = don't care
- (2) LCDSx not available in CC430F513x.
- (3) According to mapped function – see [Table 6-6](#).



### 6.11.2 Port P1 (P1.5 to P1.7) Input/Output With Schmitt Trigger

Figure 6-3 shows the port diagram. Table 6-46 summarizes the selection of the pin functions.

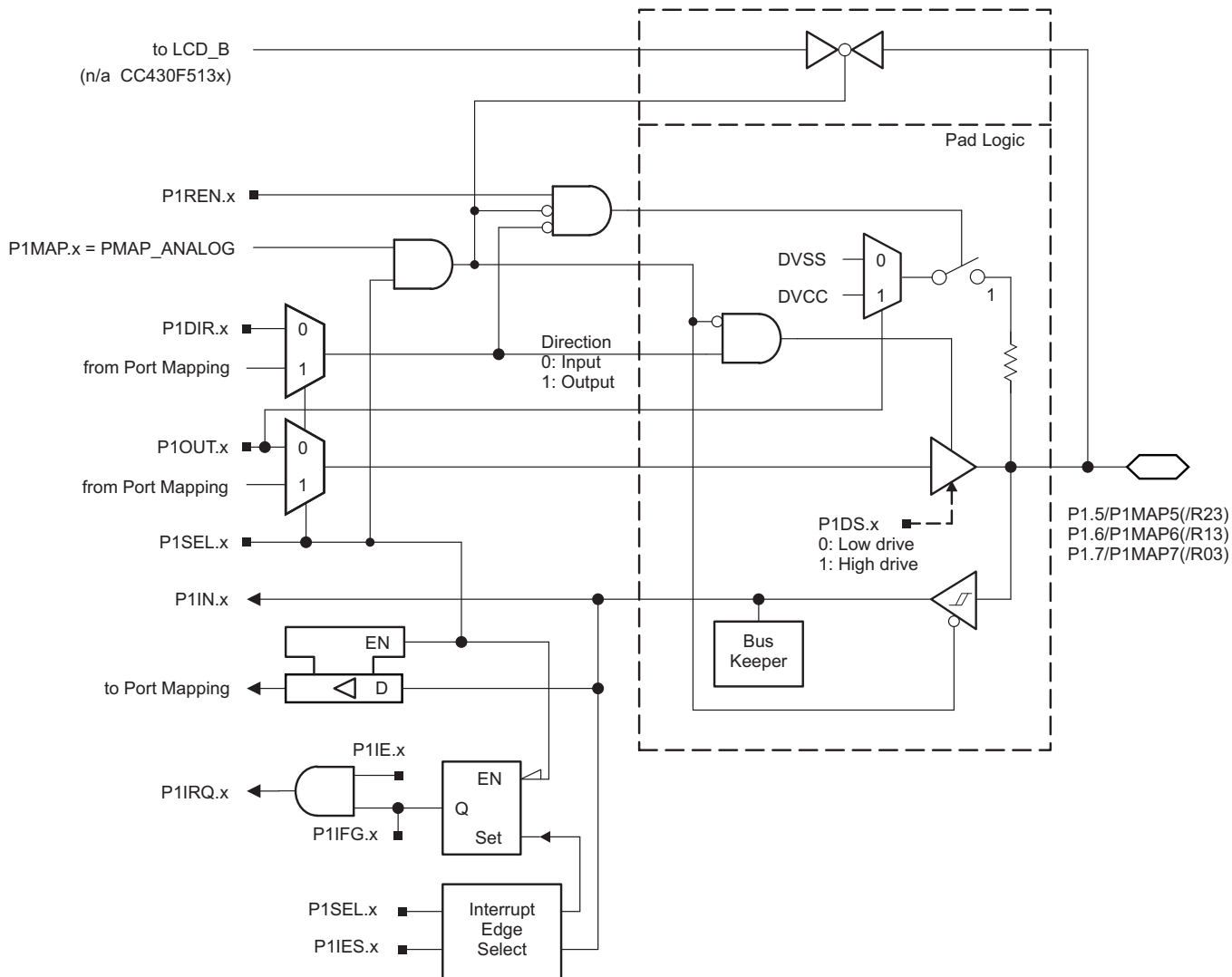


Figure 6-3. Port P1 (P1.5 to P1.7) Diagram

**Table 6-46. Port P1 (P1.5 to P1.7) Pin Functions**

| PIN NAME (P1.x)            | x | FUNCTION  | CONTROL BITS OR SIGNALS <sup>(1)</sup> |         |                     |
|----------------------------|---|---|--|---------|---------------------|
|                            |   |   | P1DIR.x                                | P1SEL.x | P1MAPx              |
| P1.5/P1MAP5/R23            | 5 | P1.5 (I/O)  | I: 0; O: 1                             | 0       | X                   |
|                            |   | Mapped secondary digital function – see <a href="#">Table 6-6</a> | 0; 1 <sup>(2)</sup>                    | 1       | ≤ 30 <sup>(2)</sup> |
|                            |   | R23 <sup>(3)</sup> (not available on CC430F513x)                  | X                                      | 1       | = 31                |
| P1.6/P1MAP6/R13/<br>LCDREF | 6 | P1.6 (I/O)  | I: 0; O: 1                             | 0       | X                   |
|                            |   | Mapped secondary digital function – see <a href="#">Table 6-6</a> | 0; 1 <sup>(2)</sup>                    | 1       | ≤ 30 <sup>(2)</sup> |
|                            |   | R13/LCDREF <sup>(3)</sup> (not available on CC430F513x)           | X                                      | 1       | = 31                |
| P1.7/P1MAP7/R03            | 7 | P1.7 (I/O)  | I: 0; O: 1                             | 0       | X                   |
|                            |   | Mapped secondary digital function – see <a href="#">Table 6-6</a> | 0; 1 <sup>(2)</sup>                    | 1       | ≤ 30 <sup>(2)</sup> |
|                            |   | R03 <sup>(3)</sup> (not available on CC430F513x)                  | X                                      | 1       | = 31                |

- (1) X = don't care
- (2) According to mapped function – see [Table 6-6](#).
- (3) Setting P1SEL.x bit together with P1MAPx = PM\_ANALOG disables the output driver and the input Schmitt trigger.

### 6.11.3 Port P2 (P2.0 to P2.7) Input/Output With Schmitt Trigger

Figure 6-4 through Figure 6-6 show the port diagrams. Table 6-47 summarizes the selection of the pin functions.

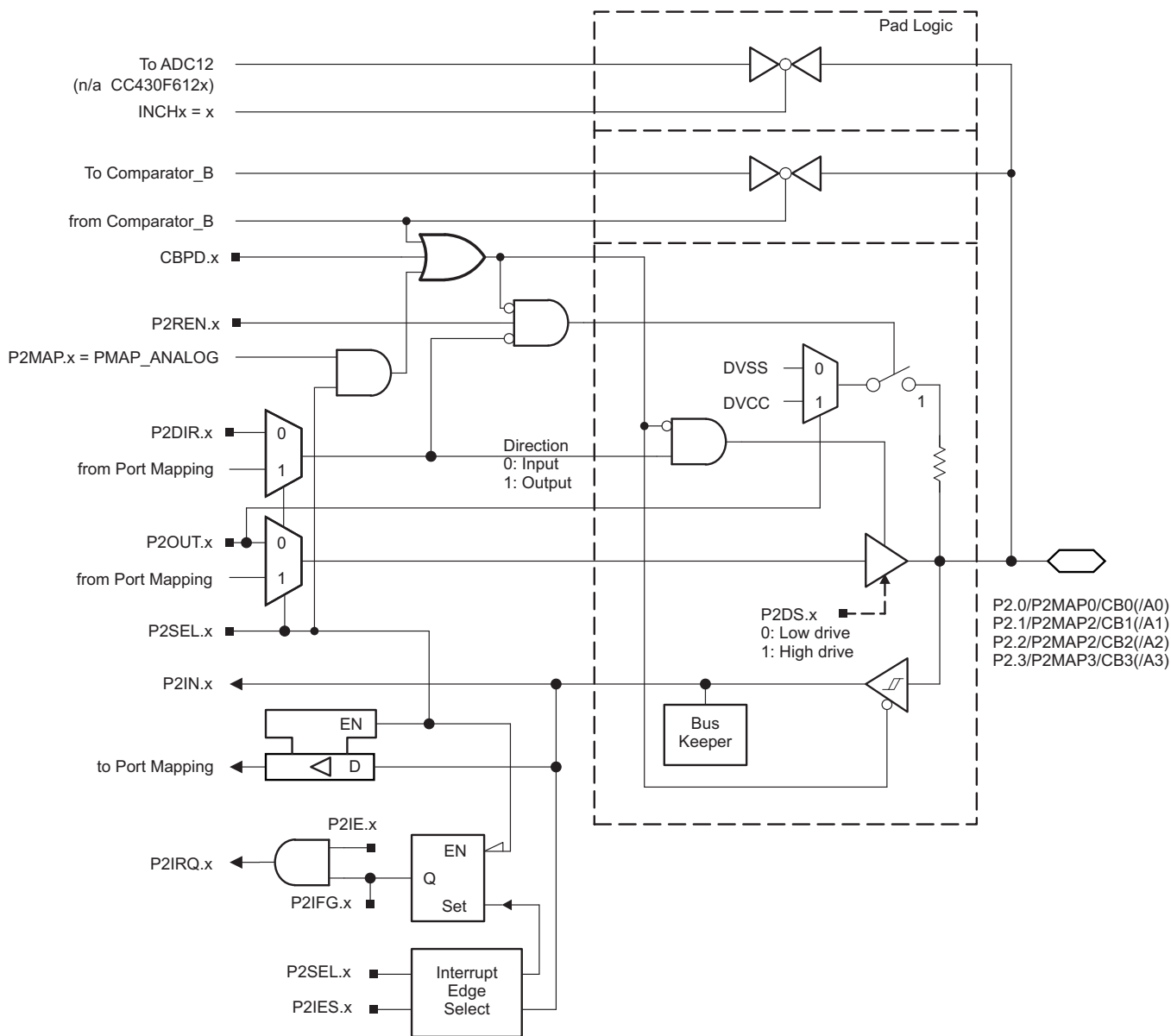


Figure 6-4. Port P2 (P2.0 to P2.3) Diagram

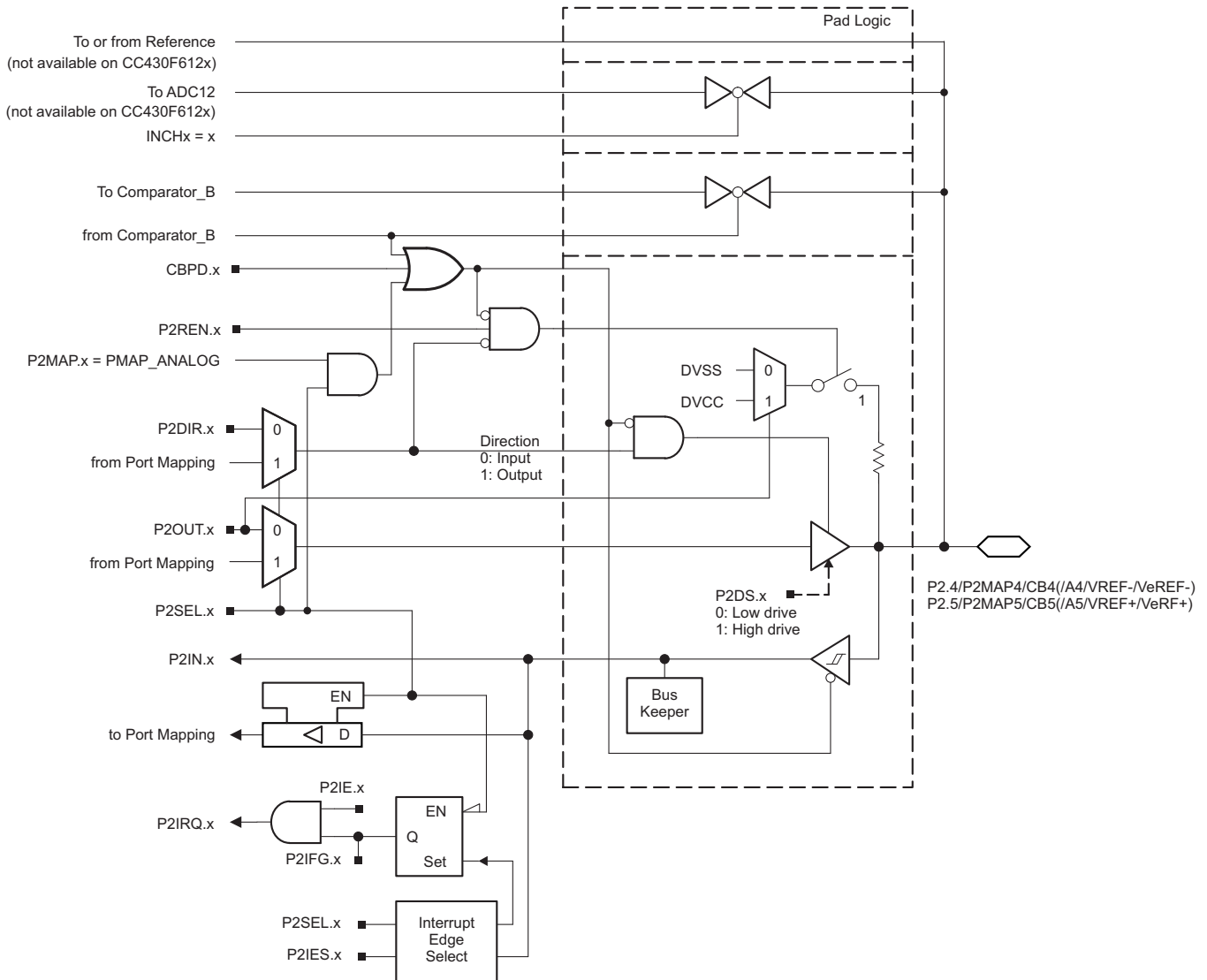
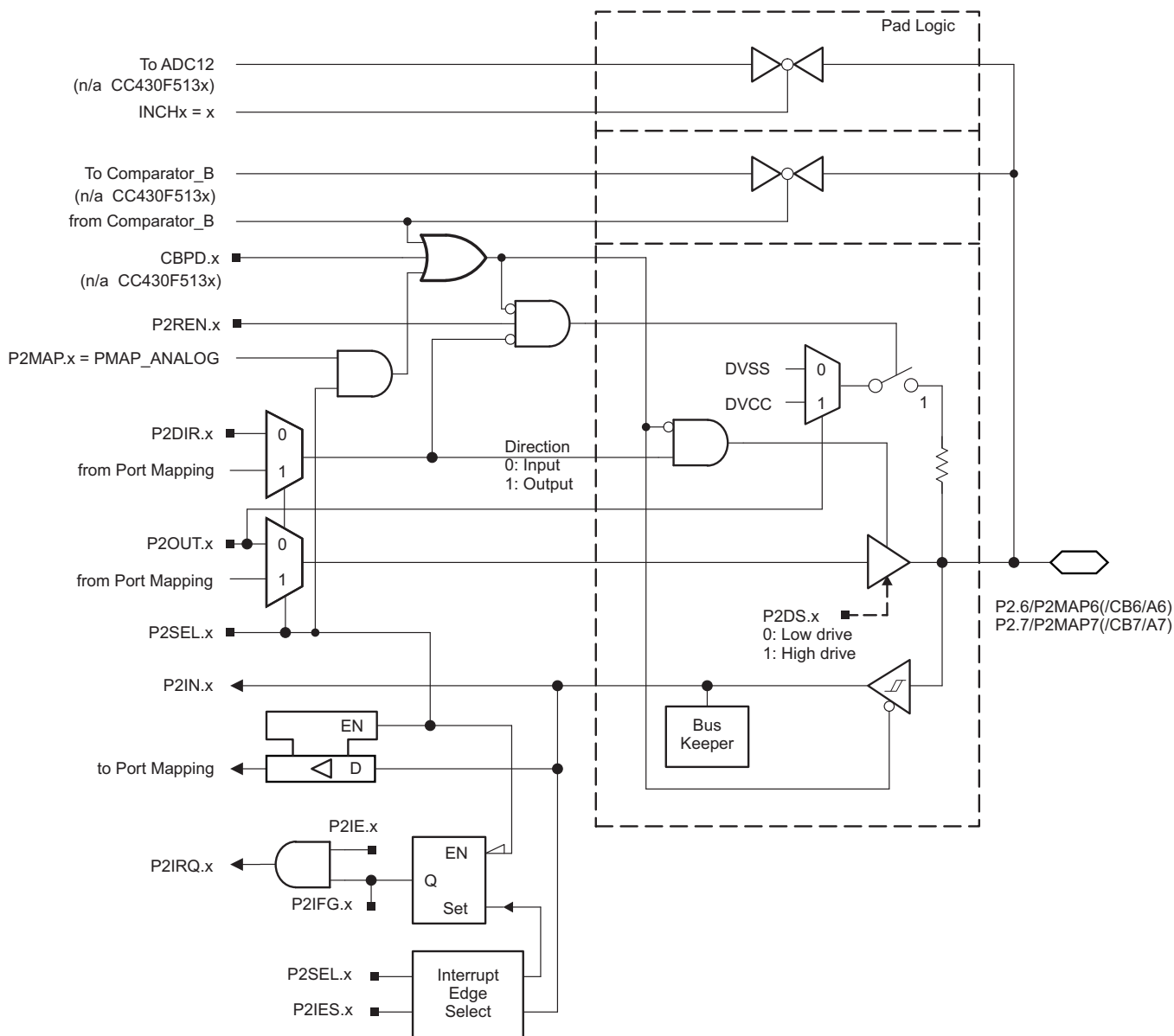


Figure 6-5. Port P2 (P2.4 and P2.5) Diagram



CC430F513x devices do not provide analog functionality on port P2.6 and P2.7 pins.

**Figure 6-6. Port P2 (P2.6 and P2.7) Diagram**

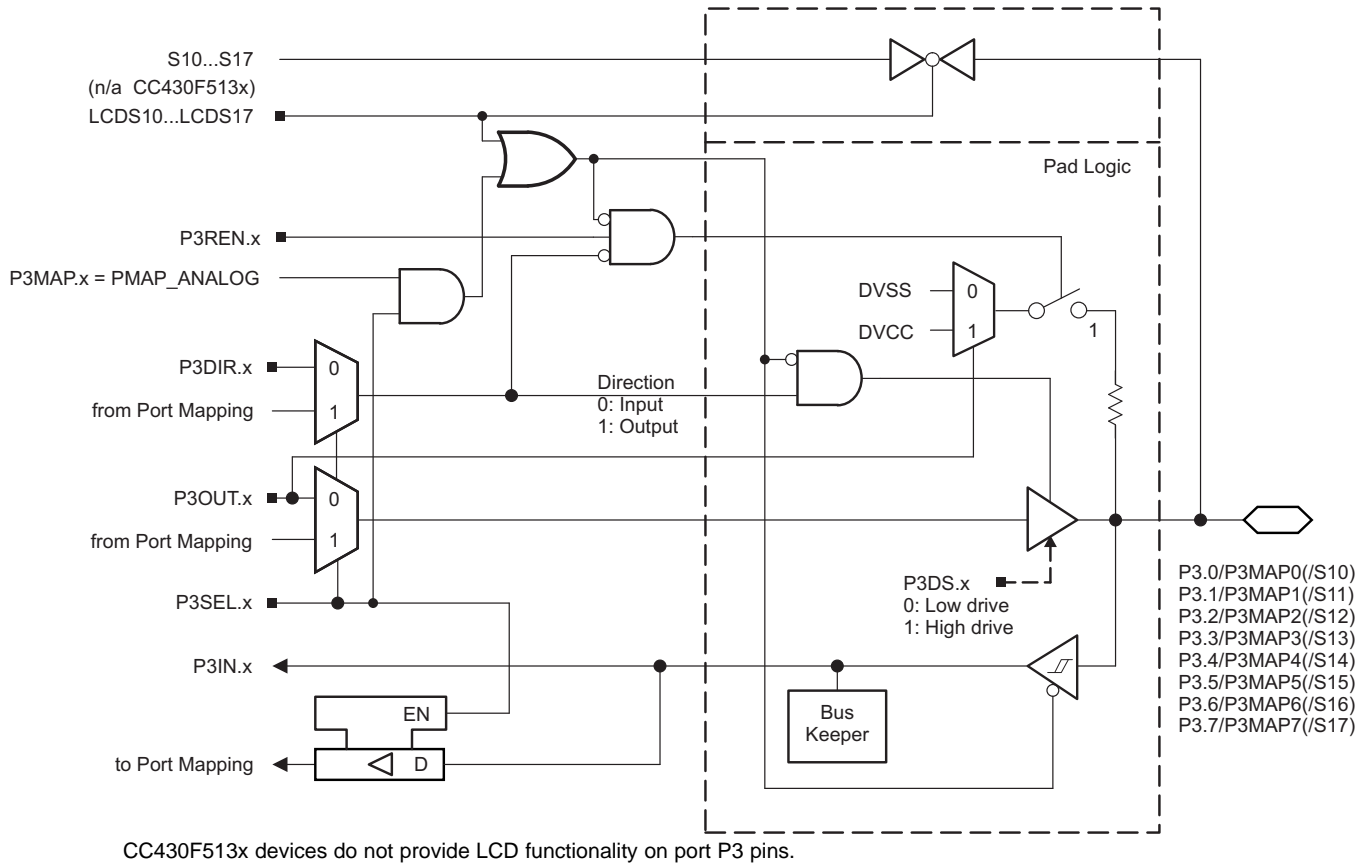
**Table 6-47. Port P2 (P2.0 to P2.7) Pin Functions**

| PIN NAME (P2.x)                    | x | FUNCTION  | CONTROL BITS OR SIGNALS <sup>(1)</sup> |         |                     |        |
|------------------------------------|---|---|--|---------|---------------------|--------|
|                                    |   |   | P2DIR.x                                | P2SEL.x | P2MAPx              | CBPD.x |
| P2.0/P2MAP0/CB0 (/A0)              | 0 | P2.0 (I/O)  | I: 0; O: 1                             | 0       | X                   | 0      |
|                                    |   | Mapped secondary digital function – see <a href="#">Table 6-6</a> | 0; 1 <sup>(2)</sup>                    | 1       | ≤ 30 <sup>(2)</sup> | 0      |
|                                    |   | A0 (not available on CC430F612x) <sup>(3)</sup>                   | X                                      | 1       | = 31                | X      |
|                                    |   | CB0 <sup>(4)</sup>  | X                                      | X       | X                   | 1      |
| P2.1/P2MAP1/CB1 (/A1)              | 1 | P2.1 (I/O)  | I: 0; O: 1                             | 0       | X                   | 0      |
|                                    |   | Mapped secondary digital function – see <a href="#">Table 6-6</a> | 0; 1 <sup>(2)</sup>                    | 1       | ≤ 30 <sup>(2)</sup> | 0      |
|                                    |   | A1 (not available on CC430F612x) <sup>(3)</sup>                   | X                                      | 1       | = 31                | X      |
|                                    |   | CB1 <sup>(4)</sup>  | X                                      | X       | X                   | 1      |
| P2.2/P2MAP2/CB2 (/A2)              | 2 | P2.2 (I/O)  | I: 0; O: 1                             | 0       | X                   | 0      |
|                                    |   | Mapped secondary digital function – see <a href="#">Table 6-6</a> | 0; 1 <sup>(2)</sup>                    | 1       | ≤ 30 <sup>(2)</sup> | 0      |
|                                    |   | A2 (not available on CC430F612x) <sup>(3)</sup>                   | X                                      | 1       | = 31                | X      |
|                                    |   | CB2 <sup>(4)</sup>  | X                                      | X       | X                   | 1      |
| P2.3/P2MAP3/CB3 (/A3)              | 3 | P2.3 (I/O)  | I: 0; O: 1                             | 0       | X                   | 0      |
|                                    |   | Mapped secondary digital function – see <a href="#">Table 6-6</a> | 0; 1 <sup>(2)</sup>                    | 1       | ≤ 30 <sup>(2)</sup> | 0      |
|                                    |   | A3 (not available on CC430F612x) <sup>(3)</sup>                   | X                                      | 1       | = 31                | X      |
|                                    |   | CB3 <sup>(4)</sup>  | X                                      | X       | X                   | 1      |
| P2.4/P2MAP4/CB4 (/A4/VREF-/VeREF-) | 4 | P2.4 (I/O)  | I: 0; O: 1                             | 0       | X                   | 0      |
|                                    |   | Mapped secondary digital function – see <a href="#">Table 6-6</a> | 0; 1 <sup>(2)</sup>                    | 1       | ≤ 30 <sup>(2)</sup> | 0      |
|                                    |   | A4/VREF-/VeREF- (not available on CC430F612x) <sup>(3)</sup>      | X                                      | 1       | = 31                | X      |
|                                    |   | CB4 <sup>(4)</sup>  | X                                      | X       | X                   | 1      |
| P2.5/P2MAP5/CB5 (/A5/VREF+/VeREF+) | 5 | P2.5 (I/O)  | I: 0; O: 1                             | 0       | X                   | 0      |
|                                    |   | Mapped secondary digital function – see <a href="#">Table 6-6</a> | 0; 1 <sup>(2)</sup>                    | 1       | ≤ 30 <sup>(2)</sup> | 0      |
|                                    |   | A5/VREF+/VeREF+ (not available on CC430F612x) <sup>(3)</sup>      | X                                      | 1       | = 31                | X      |
|                                    |   | CB5 <sup>(4)</sup>  | X                                      | X       | X                   | 1      |
| P2.6/P2MAP6/(CB6) (/A6)            | 6 | P2.6 (I/O)  | I: 0; O: 1                             | 0       | X                   | 0      |
|                                    |   | Mapped secondary digital function – see <a href="#">Table 6-6</a> | 0; 1 <sup>(2)</sup>                    | 1       | ≤ 30 <sup>(2)</sup> | 0      |
|                                    |   | A6 (not available on CC430F612x and CC430F513x) <sup>(3)</sup>    | X                                      | 1       | = 31                | X      |
|                                    |   | CB6 (not available on CC430F513x) <sup>(4)</sup>                  | X                                      | X       | X                   | 1      |
| P2.7/P2MAP7/(CB7) (/A7)            | 7 | P2.7 (I/O)  | I: 0; O: 1                             | 0       | X                   | 0      |
|                                    |   | Mapped secondary digital function – see <a href="#">Table 6-6</a> | 0; 1 <sup>(2)</sup>                    | 1       | ≤ 30 <sup>(2)</sup> | 0      |
|                                    |   | A7 (not available on CC430F612x and CC430F513x) <sup>(3)</sup>    | X                                      | 1       | = 31                | X      |
|                                    |   | CB7 (not available on CC430F513x) <sup>(4)</sup>                  | X                                      | X       | X                   | 1      |

- (1) X = don't care
- (2) According to mapped function – see [Table 6-6](#).
- (3) Setting P2SEL.x bit together with P2MAPx = PM\_ANALOG disables the output driver and the input Schmitt trigger.
- (4) Setting the CBPD.x bit disables the output driver and the input Schmitt trigger to prevent parasitic cross currents when applying analog signals. Selecting the CBx input pin to the comparator multiplexer with the CBx bits automatically disables output driver and input buffer for that pin, regardless of the state of the associated CBPD.x bit.

### 6.11.4 Port P3 (P3.0 to P3.7) Input/Output With Schmitt Trigger

Figure 6-7 shows the port diagram. Table 6-48 summarizes the selection of the pin functions.



**Figure 6-7. Port P3 (P3.0 to P3.7) Diagram**

**Table 6-48. Port P3 (P3.0 to P3.7) Pin Functions**

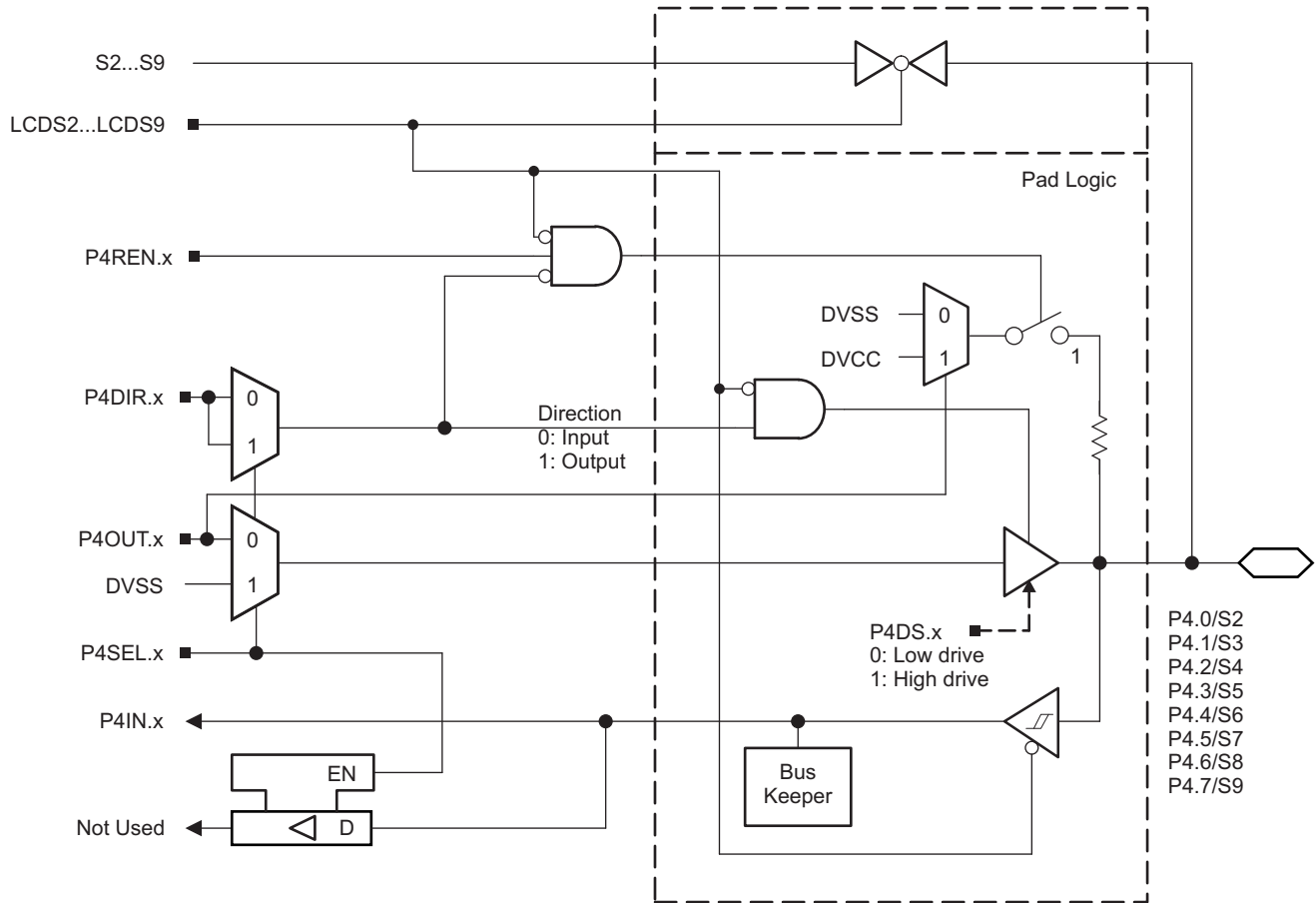
| PIN NAME (P3.x) | x | FUNCTION  | CONTROL BITS OR SIGNALS <sup>(1)</sup> |         |                     |                                 |
|-----------------|---|---|--|---------|---------------------|---------------------------------|
|                 |   |   | P3DIR.x                                | P3SEL.x | P3MAPx              | LCDS10 to LCDS17 <sup>(2)</sup> |
| P3.0/P3MAP0/S10 | 0 | P3.0 (I/O)  | I: 0; O: 1                             | 0       | X                   | 0                               |
|                 |   | Mapped secondary digital function – see <a href="#">Table 6-6</a> | 0; 1 <sup>(3)</sup>                    | 1       | ≤ 30 <sup>(3)</sup> | 0                               |
|                 |   | Output driver and input Schmitt trigger disabled                  | X                                      | 1       | = 31                | 0                               |
|                 |   | S10 (not available on CC430F513x)                                 | X                                      | X       | X                   | 1                               |
| P3.1/P3MAP1/S11 | 1 | P3.1 (I/O)  | I: 0; O: 1                             | 0       | X                   | 0                               |
|                 |   | Mapped secondary digital function – see <a href="#">Table 6-6</a> | 0; 1 <sup>(3)</sup>                    | 1       | ≤ 30 <sup>(3)</sup> | 0                               |
|                 |   | Output driver and input Schmitt trigger disabled                  | X                                      | 1       | = 31                | 0                               |
|                 |   | S11 (not available on CC430F513x)                                 | X                                      | X       | X                   | 1                               |
| P3.2/P3MAP7/S12 | 2 | P3.2 (I/O)  | I: 0; O: 1                             | 0       | X                   | 0                               |
|                 |   | Mapped secondary digital function – see <a href="#">Table 6-6</a> | 0; 1 <sup>(3)</sup>                    | 1       | ≤ 30 <sup>(3)</sup> | 0                               |
|                 |   | Output driver and input Schmitt trigger disabled                  | X                                      | 1       | = 31                | 0                               |
|                 |   | S12 (not available on CC430F513x)                                 | X                                      | X       | X                   | 1                               |
| P3.3/P3MAP3/S13 | 3 | P3.3 (I/O)  | I: 0; O: 1                             | 0       | X                   | 0                               |
|                 |   | Mapped secondary digital function – see <a href="#">Table 6-6</a> | 0; 1 <sup>(3)</sup>                    | 1       | ≤ 30 <sup>(3)</sup> | 0                               |
|                 |   | Output driver and input Schmitt trigger disabled                  | X                                      | 1       | = 31                | 0                               |
|                 |   | S13 (not available on CC430F513x)                                 | X                                      | X       | X                   | 1                               |
| P3.4/P3MAP4/S14 | 4 | P3.4 (I/O)  | I: 0; O: 1                             | 0       | X                   | 0                               |
|                 |   | Mapped secondary digital function – see <a href="#">Table 6-6</a> | 0; 1 <sup>(3)</sup>                    | 1       | ≤ 30 <sup>(3)</sup> | 0                               |
|                 |   | Output driver and input Schmitt trigger disabled                  | X                                      | 1       | = 31                | 0                               |
|                 |   | S14 (not available on CC430F513x)                                 | X                                      | X       | X                   | 1                               |
| P3.5/P3MAP5/S15 | 5 | P3.5 (I/O)  | I: 0; O: 1                             | 0       | X                   | 0                               |
|                 |   | Mapped secondary digital function – see <a href="#">Table 6-6</a> | 0; 1 <sup>(3)</sup>                    | 1       | ≤ 30 <sup>(3)</sup> | 0                               |
|                 |   | Output driver and input Schmitt trigger disabled                  | X                                      | 1       | = 31                | 0                               |
|                 |   | S15 (not available on CC430F513x)                                 | X                                      | X       | X                   | 1                               |
| P3.6/P3MAP6/S16 | 6 | P3.6 (I/O)  | I: 0; O: 1                             | 0       | X                   | 0                               |
|                 |   | Mapped secondary digital function – see <a href="#">Table 6-6</a> | 0; 1 <sup>(3)</sup>                    | 1       | ≤ 30 <sup>(3)</sup> | 0                               |
|                 |   | Output driver and input Schmitt trigger disabled                  | X                                      | 1       | = 31                | 0                               |
|                 |   | S16 (not available on CC430F513x)                                 | X                                      | X       | X                   | 1                               |
| P3.7/P3MAP7/S17 | 7 | P3.7 (I/O)  | I: 0; O: 1                             | 0       | X                   | 0                               |
|                 |   | Mapped secondary digital function – see <a href="#">Table 6-6</a> | 0; 1 <sup>(3)</sup>                    | 1       | ≤ 30 <sup>(3)</sup> | 0                               |
|                 |   | Output driver and input Schmitt trigger disabled                  | X                                      | 1       | = 31                | 0                               |
|                 |   | S17 (not available on CC430F513x)                                 | X                                      | X       | X                   | 1                               |

- (1) X = don't care
- (2) LCDSx not available in CC430F513x.
- (3) According to mapped function – see [Table 6-6](#).



**6.11.5 Port P4 (P4.0 to P4.7) Input/Output With Schmitt Trigger (CC430F613x and CC430F612x Only)**

Figure 6-8 shows the port diagram. Table 6-49 summarizes the selection of the pin functions.



**Figure 6-8. Port P4 (P4.0 to P4.7) Diagram (CC430F613x and CC430F612x Only)**

**Table 6-49. Port P4 (P4.0 to P4.7) Pin Functions (CC430F613x and CC430F612x Only)**

| PIN NAME (P4.x) | x | FUNCTION   | CONTROL BITS OR SIGNALS <sup>(1)</sup> |         |                |
|-----------------|---|------------|--|---------|----------------|
|                 |   |            | P4DIR.x                                | P4SEL.x | LCDS2 to LCDS9 |
| P4.0/P4MAP0/S2  | 0 | P4.0 (I/O) | I: 0; O: 1                             | 0       | 0              |
|                 |   | N/A        | 0                                      | 1       | 0              |
|                 |   | DVSS       | 1                                      | 1       | 0              |
|                 |   | S2         | X                                      | X       | 1              |
| P4.1/P4MAP1/S3  | 1 | P4.1 (I/O) | I: 0; O: 1                             | 0       | 0              |
|                 |   | N/A        | 0                                      | 1       | 0              |
|                 |   | DVSS       | 1                                      | 1       | 0              |
|                 |   | S3         | X                                      | X       | 1              |
| P4.2/P4MAP7/S4  | 2 | P4.2 (I/O) | I: 0; O: 1                             | 0       | 0              |
|                 |   | N/A        | 0                                      | 1       | 0              |
|                 |   | DVSS       | 1                                      | 1       | 0              |
|                 |   | S4         | X                                      | X       | 1              |
| P4.3/P4MAP3/S5  | 3 | P4.3 (I/O) | I: 0; O: 1                             | 0       | 0              |
|                 |   | N/A        | 0                                      | 1       | 0              |
|                 |   | DVSS       | 1                                      | 1       | 0              |
|                 |   | S5         | X                                      | X       | 1              |
| P4.4/P4MAP4/S6  | 4 | P4.4 (I/O) | I: 0; O: 1                             | 0       | 0              |
|                 |   | N/A        | 0                                      | 1       | 0              |
|                 |   | DVSS       | 1                                      | 1       | 0              |
|                 |   | S6         | X                                      | X       | 1              |
| P4.5/P4MAP5/S7  | 5 | P4.5 (I/O) | I: 0; O: 1                             | 0       | 0              |
|                 |   | N/A        | 0                                      | 1       | 0              |
|                 |   | DVSS       | 1                                      | 1       | 0              |
|                 |   | S7         | X                                      | X       | 1              |
| P4.6/P4MAP6/S8  | 6 | P4.6 (I/O) | I: 0; O: 1                             | 0       | 0              |
|                 |   | N/A        | 0                                      | 1       | 0              |
|                 |   | DVSS       | 1                                      | 1       | 0              |
|                 |   | S8         | X                                      | X       | 1              |
| P4.7/P4MAP7/S9  | 7 | P4.7 (I/O) | I: 0; O: 1                             | 0       | 0              |
|                 |   | N/A        | 0                                      | 1       | 0              |
|                 |   | DVSS       | 1                                      | 1       | 0              |
|                 |   | S9         | X                                      | X       | 1              |

(1) X = don't care

### 6.11.6 Port P5 (P5.0 and P5.1) Input/Output With Schmitt Trigger

Figure 6-9 and Figure 6-10 show the port diagrams. Table 6-50 summarizes the selection of the pin functions.

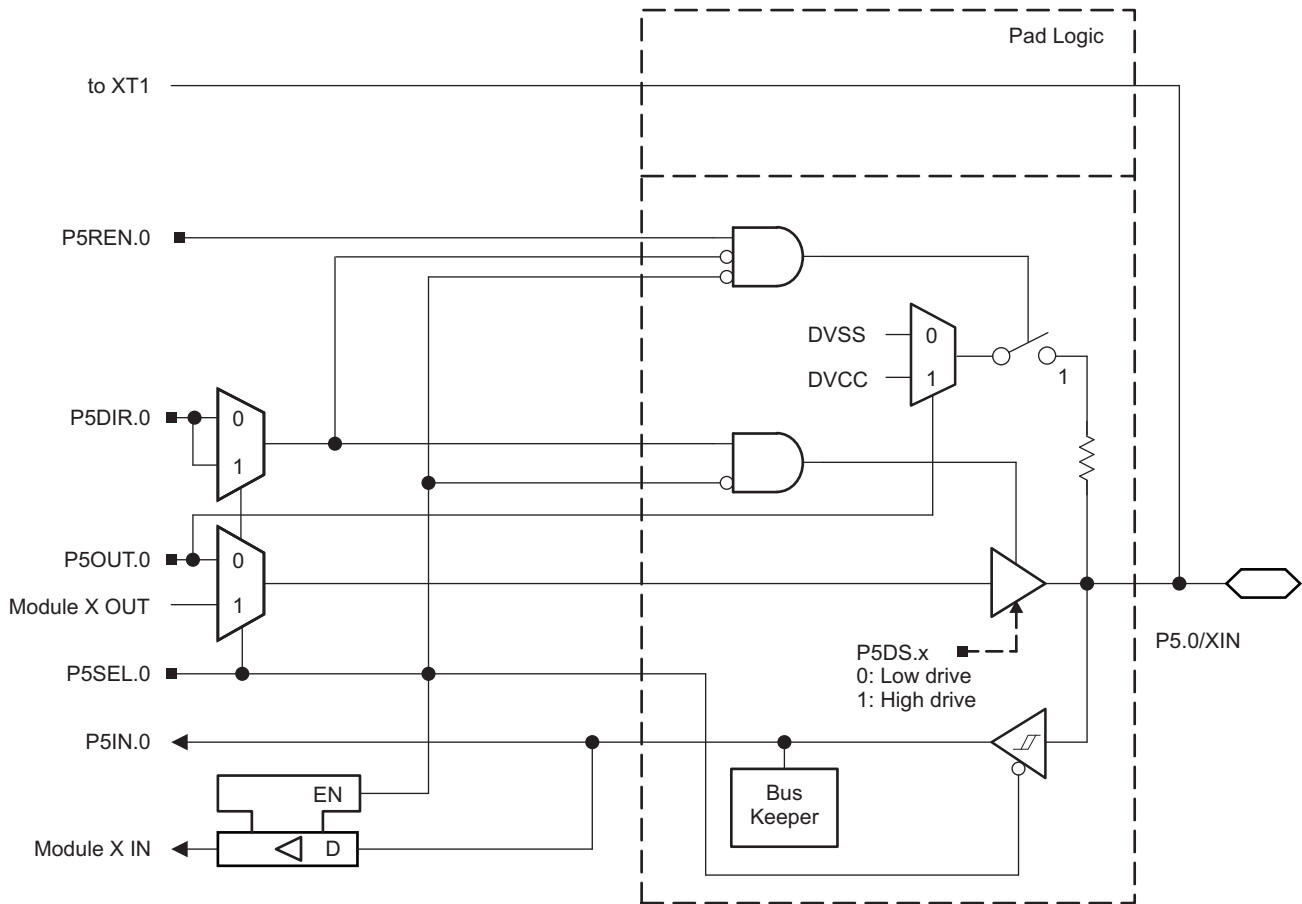


Figure 6-9. Port P5 (P5.0) Diagram

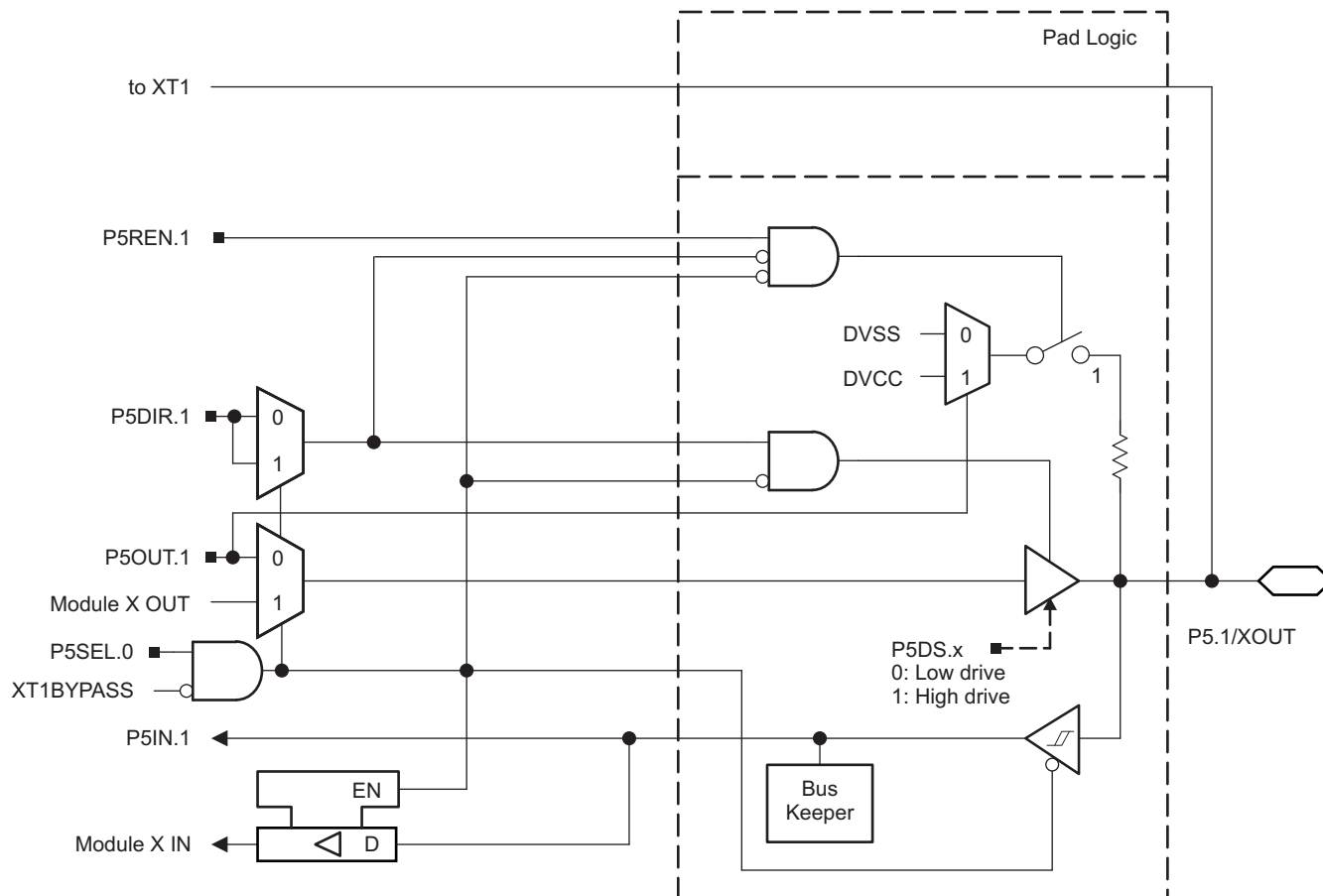


Figure 6-10. Port P5 (P5.1) Diagram

Table 6-50. Port P5 (P5.0 and P5.1) Pin Functions

| PIN NAME (P5.x) | x | FUNCTION                         | CONTROL BITS OR SIGNALS <sup>(1)</sup> |         |         |           |
|-----------------|---|----------------------------------|--|---------|---------|-----------|
|                 |   |                                  | P5DIR.x                                | P5SEL.0 | P5SEL.1 | XT1BYPASS |
| P5.0/XIN        | 0 | P5.0 (I/O)                       | I: 0; O: 1                             | 0       | X       | X         |
|                 |   | XIN crystal mode <sup>(2)</sup>  | X                                      | 1       | X       | 0         |
|                 |   | XIN bypass mode <sup>(2)</sup>   | X                                      | 1       | X       | 1         |
| P5.1/XOUT       | 1 | P5.1 (I/O)                       | I: 0; O: 1                             | 0       | X       | X         |
|                 |   | XOUT crystal mode <sup>(3)</sup> | X                                      | 1       | X       | 0         |
|                 |   | P5.1 (I/O) <sup>(3)</sup>        | X                                      | 1       | X       | 1         |

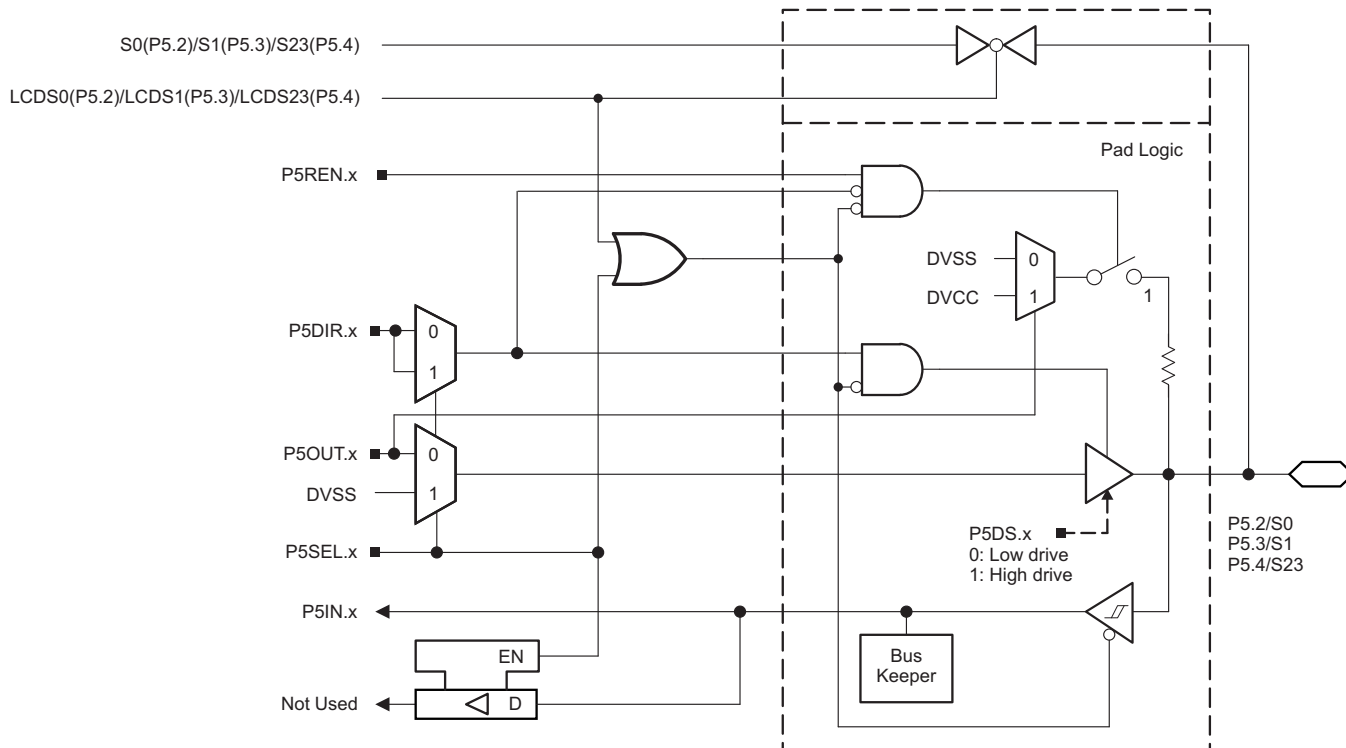
(1) X = don't care

(2) Setting P5SEL.0 causes the general-purpose I/O to be disabled. Pending the setting of XT1BYPASS, P5.0 is configured for crystal mode or bypass mode.

(3) Setting P5SEL.0 causes the general-purpose I/O to be disabled in crystal mode. When using bypass mode, P5.1 can be used as general-purpose I/O.

**6.11.7 Port P5 (P5.2 to P5.4) Input/Output With Schmitt Trigger (CC430F613x and CC430F612x Only)**

Figure 6-11 shows the port diagram. Table 6-51 and Table 6-52 summarize the selection of the pin functions.



**Figure 6-11. Port P5 (P5.2 to P5.4) Diagram (CC430F613x and CC430F612x Only)**

**Table 6-51. Port P5 (P5.2 to P5.3) Pin Functions (CC430F613x and CC430F612x Only)**

| PIN NAME (P5.x) | x | FUNCTION   | CONTROL BITS OR SIGNALS <sup>(1)</sup> |         |                |
|-----------------|---|------------|--|---------|----------------|
|                 |   |            | P5DIR.x                                | P5SEL.x | LCDS0 to LCDS1 |
| P5.2/S0         | 2 | P5.2 (I/O) | I: 0; O: 1                             | 0       | 0              |
|                 |   | N/A        | 0                                      | 1       | 0              |
|                 |   | DVSS       | 1                                      | 1       | 0              |
|                 |   | S0         | X                                      | X       | 1              |
| P5.3/S1         | 3 | P5.3 (I/O) | I: 0; O: 1                             | 0       | 0              |
|                 |   | N/A        | 0                                      | 1       | 0              |
|                 |   | DVSS       | 1                                      | 1       | 0              |
|                 |   | S1         | X                                      | X       | 1              |

(1) X = don't care

**Table 6-52. Port P5 (P5.4) Pin Functions (CC430F613x and CC430F612x Only)**

| PIN NAME (P5.x) | x | FUNCTION   | CONTROL BITS OR SIGNALS <sup>(1)</sup> |         |        |
|-----------------|---|------------|--|---------|--------|
|                 |   |            | P5DIR.x                                | P5SEL.x | LCDS23 |
| P5.4/S23        | 4 | P5.4 (I/O) | I: 0; O: 1                             | 0       | 0      |
|                 |   | N/A        | 0                                      | 1       | 0      |
|                 |   | DVSS       | 1                                      | 1       | 0      |
|                 |   | S23        | X                                      | X       | 1      |

(1) X = don't care

### 6.11.8 Port P5 (P5.5 to P5.7) Input/Output With Schmitt Trigger (CC430F613x and CC430F612x Only)

Figure 6-12 shows the port diagram. Table 6-53 summarizes the selection of the pin functions.

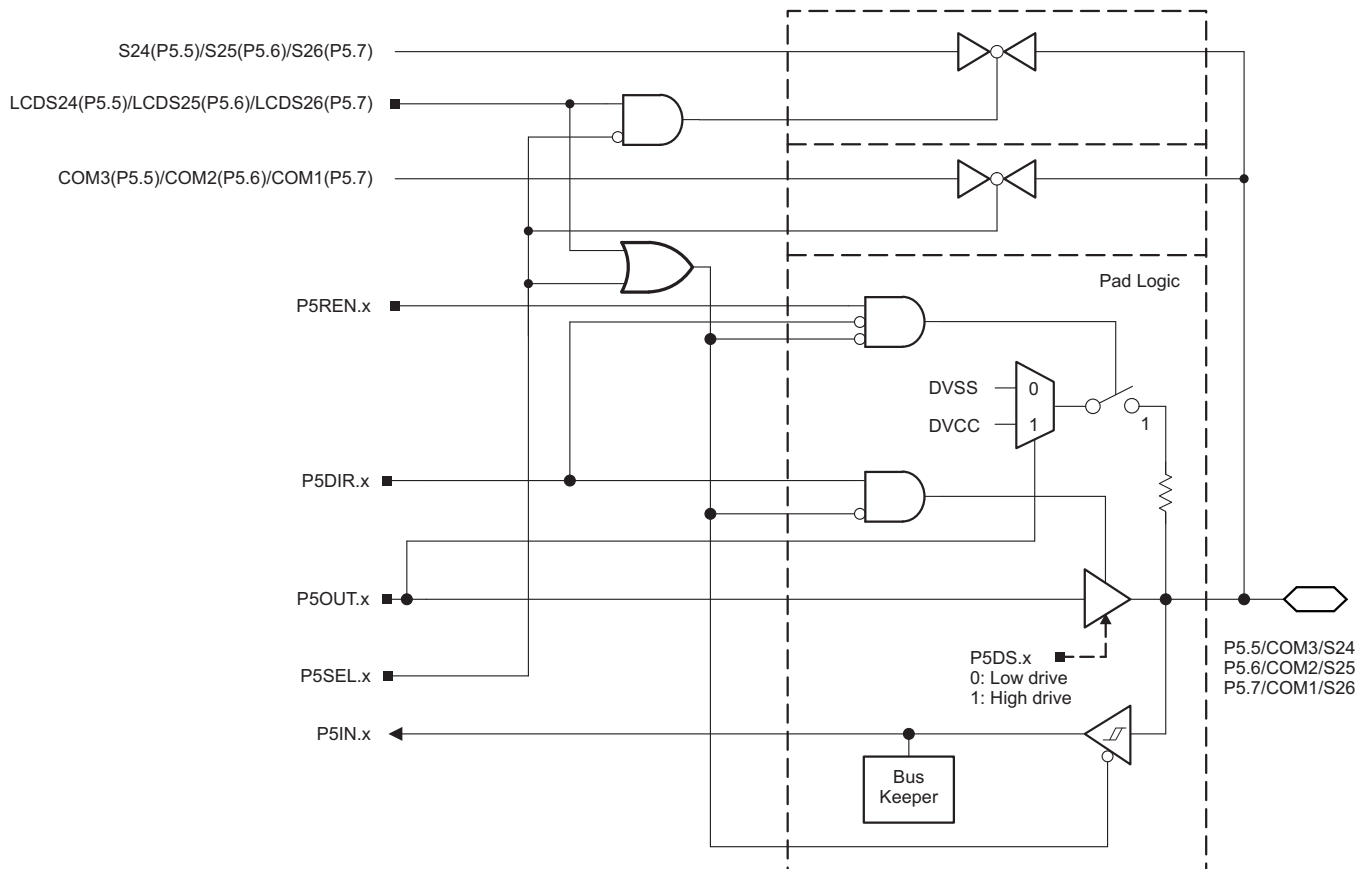


Figure 6-12. Port P5 (P5.5 to P5.7) Diagram (CC430F613x and CC430F612x Only)

Table 6-53. Port P5 (P5.5 to P5.7) Pin Functions (CC430F613x and CC430F612x Only)

| PIN NAME (P5.x) | x | FUNCTION            | CONTROL BITS OR SIGNALS <sup>(1)</sup> |         |                  |
|-----------------|---|---------------------|--|---------|------------------|
|                 |   |                     | P5DIR.x                                | P5SEL.x | LCDS24 to LCDS26 |
| P5.5/COM3/S24   | 5 | P5.5 (I/O)          | I: 0; O: 1                             | 0       | 0                |
|                 |   | COM3 <sup>(2)</sup> | X                                      | 1       | X                |
|                 |   | S24 <sup>(2)</sup>  | X                                      | 0       | 1                |
| P5.6/COM2/S25   | 6 | P5.6 (I/O)          | I: 0; O: 1                             | 0       | 0                |
|                 |   | COM2 <sup>(2)</sup> | X                                      | 1       | X                |
|                 |   | S25 <sup>(2)</sup>  | X                                      | 0       | 1                |
| P5.7/COM1/S26   | 7 | P5.7 (I/O)          | I: 0; O: 1                             | 0       | 0                |
|                 |   | COM1 <sup>(2)</sup> | X                                      | 1       | X                |
|                 |   | S26 <sup>(2)</sup>  | X                                      | 0       | 1                |

(1) X = don't care

(2) Setting P5SEL.x bit disables the output driver and the input Schmitt trigger.

### 6.11.9 Port J (PJ.0) JTAG Pin TDO, Input/Output With Schmitt Trigger or Output

Figure 6-13 shows the port diagram. Table 6-54 summarizes the selection of the pin functions.

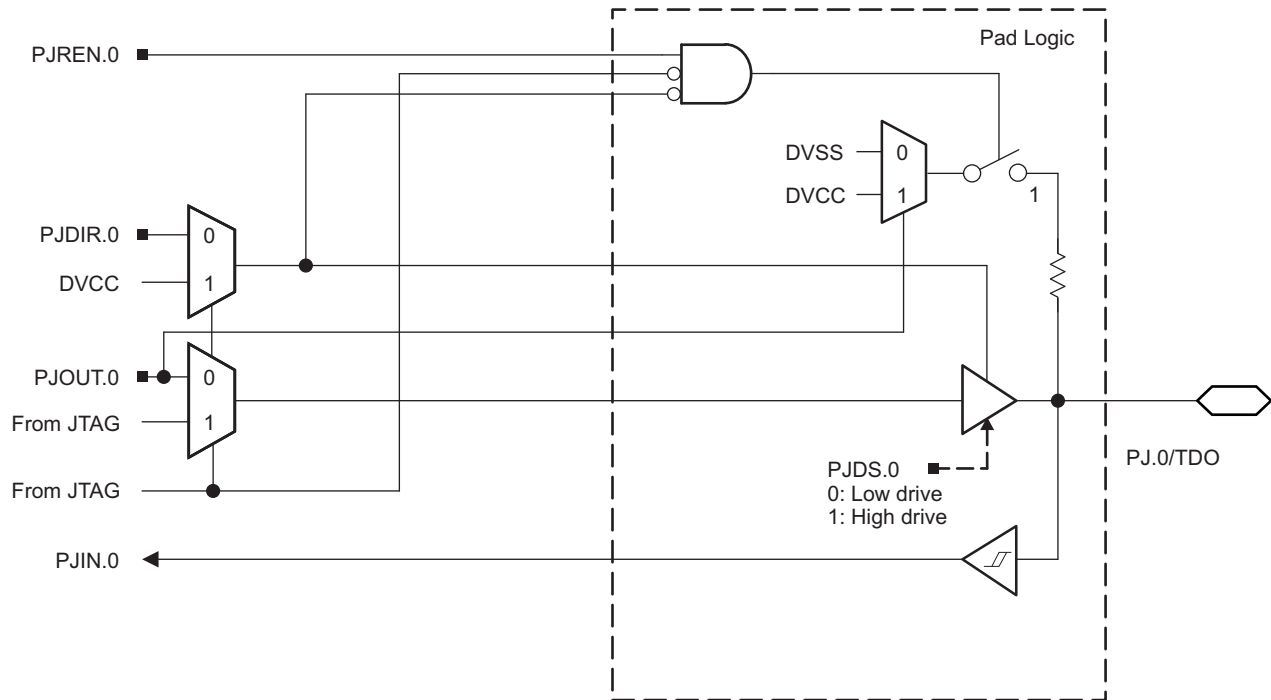


Figure 6-13. Port PJ (PJ.0) Diagram



**6.11.10 Port J (PJ.1 to PJ.3) JTAG Pins TMS, TCK, TDI/TCLK, Input/Output With Schmitt Trigger or Output**

Figure 6-14 shows the port diagram. Table 6-54 summarizes the selection of the pin functions.

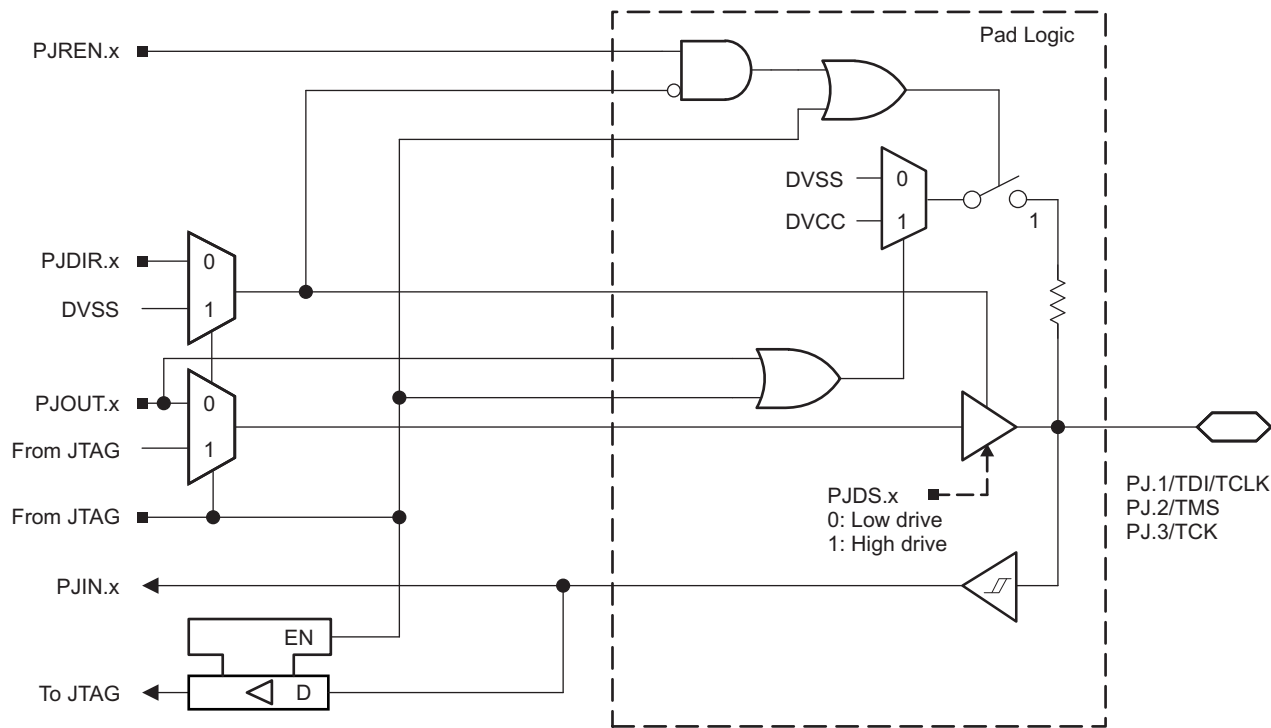


Figure 6-14. Port PJ (PJ.1 to PJ.3) Diagram

Table 6-54. Port PJ (PJ.0 to PJ.3) Pin Functions

| PIN NAME (PJ.x) | x | FUNCTION                    | CONTROL BITS OR SIGNALS <sup>(1)</sup> |
|-----------------|---|-----------------------------|--|
|                 |   |                             | PJDIR.x                                |
| PJ.0/TDO        | 0 | PJ.0 (I/O) <sup>(2)</sup>   | I: 0; O: 1                             |
|                 |   | TDO <sup>(3)</sup>          | X                                      |
| PJ.1/TDI/TCLK   | 1 | PJ.1 (I/O) <sup>(2)</sup>   | I: 0; O: 1                             |
|                 |   | TDI/TCLK <sup>(3) (4)</sup> | X                                      |
| PJ.2/TMS        | 2 | PJ.2 (I/O) <sup>(2)</sup>   | I: 0; O: 1                             |
|                 |   | TMS <sup>(3) (4)</sup>      | X                                      |
| PJ.3/TCK        | 3 | PJ.3 (I/O) <sup>(2)</sup>   | I: 0; O: 1                             |
|                 |   | TCK <sup>(3) (4)</sup>      | X                                      |

- (1) X = don't care
- (2) Default condition
- (3) The pin direction is controlled by the JTAG module.
- (4) In JTAG mode, pullups are activated automatically on TMS, TCK, and TDI/TCLK. PJREN.x are do not care.

## 6.12 Device Descriptor

Table 6-55 lists the content of the device descriptor tag-length-value (TLV) structure for CC430F613x and CC430F513x device types.

Table 6-56 lists the content of the device descriptor tag-length-value (TLV) structure for CC430F612x device types.

**Table 6-55. Device Descriptor Table (CC430F613x and CC430F513x)**

| DESCRIPTION                | ADDRESS                                     | SIZE (bytes) | VALUE     |          |          |          |          |          |
|----------------------------|---|--------------|-----------|----------|----------|----------|----------|----------|
|                            |   |              | F6137     | F6135    | F5137    | F5135    | F5133    |          |
| Info Block                 | Info length                                 | 01A00h       | 1         | 06h      | 06h      | 06h      | 06h      | 06h      |
|                            | CRC length                                  | 01A01h       | 1         | 06h      | 06h      | 06h      | 06h      | 06h      |
|                            | CRC value                                   | 01A02h       | 2         | Per unit | Per unit | Per unit | Per unit | Per unit |
|                            | Device ID                                   | 01A04h       | 1         | 61h      | 61h      | 51h      | 51h      | 51h      |
|                            | Device ID                                   | 01A05h       | 1         | 37h      | 35h      | 37h      | 35h      | 33h      |
|                            | Hardware revision                           | 01A06h       | 1         | Per unit | Per unit | Per unit | Per unit | Per unit |
|                            | Firmware revision                           | 01A07h       | 1         | Per unit | Per unit | Per unit | Per unit | Per unit |
| Die Record                 | Die record tag                              | 01A08h       | 1         | 08h      | 08h      | 08h      | 08h      | 08h      |
|                            | Die record length                           | 01A09h       | 1         | 0Ah      | 0Ah      | 0Ah      | 0Ah      | 0Ah      |
|                            | Lot/wafer ID                                | 01A0Ah       | 4         | Per unit | Per unit | Per unit | Per unit | Per unit |
|                            | Die X position                              | 01A0Eh       | 2         | Per unit | Per unit | Per unit | Per unit | Per unit |
|                            | Die Y position                              | 01A10h       | 2         | Per unit | Per unit | Per unit | Per unit | Per unit |
|                            | Test results                                | 01A12h       | 2         | Per unit | Per unit | Per unit | Per unit | Per unit |
| ADC12 Calibration          | ADC12 calibration tag                       | 01A14h       | 1         | 11h      | 11h      | 11h      | 11h      | 11h      |
|                            | ADC12 calibration length                    | 01A15h       | 1         | 10h      | 10h      | 10h      | 10h      | 10h      |
|                            | ADC gain factor                             | 01A16h       | 2         | Per unit | Per unit | Per unit | Per unit | Per unit |
|                            | ADC offset                                  | 01A18h       | 2         | Per unit | Per unit | Per unit | Per unit | Per unit |
|                            | ADC 1.5-V reference Temperature sensor 30°C | 01A1Ah       | 2         | Per unit | Per unit | Per unit | Per unit | Per unit |
|                            | ADC 1.5-V reference Temperature sensor 85°C | 01A1Ch       | 2         | Per unit | Per unit | Per unit | Per unit | Per unit |
|                            | ADC 2.0-V reference Temperature sensor 30°C | 01A1Eh       | 2         | Per unit | Per unit | Per unit | Per unit | Per unit |
|                            | ADC 2.0-V reference Temperature sensor 85°C | 01A20h       | 2         | Per unit | Per unit | Per unit | Per unit | Per unit |
|                            | ADC 2.5-V reference Temperature sensor 30°C | 01A22h       | 2         | Per unit | Per unit | Per unit | Per unit | Per unit |
|                            | ADC 2.5-V reference Temperature sensor 85°C | 01A24h       | 2         | Per unit | Per unit | Per unit | Per unit | Per unit |
| REF Calibration            | REF calibration tag                         | 01A26h       | 1         | 12h      | 12h      | 12h      | 12h      | 12h      |
|                            | REF calibration length                      | 01A27h       | 1         | 06h      | 06h      | 06h      | 06h      | 06h      |
|                            | 1.5-V reference factor                      | 01A28h       | 2         | Per unit | Per unit | Per unit | Per unit | Per unit |
|                            | 2.0-V reference factor                      | 01A2Ah       | 2         | Per unit | Per unit | Per unit | Per unit | Per unit |
|                            | 2.5-V reference factor                      | 01A2Ch       | 2         | Per unit | Per unit | Per unit | Per unit | Per unit |
| Peripheral Descriptor (PD) | Peripheral descriptor tag                   | 01A2Eh       | 1         | 02h      | 02h      | 02h      | 02h      | 02h      |
|                            | Peripheral descriptor length                | 01A2Fh       | 1         | 57h      | 57h      | 55h      | 55h      | 55h      |
|                            | Peripheral descriptors                      | 01A30h       | PD Length | ...      | ...      | ...      | ...      | ...      |

**Table 6-56. Device Descriptor Table (CC430F612x)**

| DESCRIPTION                   |                              | ADDRESS | SIZE<br>(bytes) | VALUE     |           |           |
|-------------------------------|------------------------------|---------|-----------------|-----------|-----------|-----------|
|                               |                              |         |                 | F6127     | F6126     | F6125     |
| Info Block                    | Info length                  | 01A00h  | 1               | 06h       | 06h       | 06h       |
|                               | CRC length                   | 01A01h  | 1               | 06h       | 06h       | 06h       |
|                               | CRC value                    | 01A02h  | 2               | Per unit  | Per unit  | Per unit  |
|                               | Device ID                    | 01A04h  | 1               | 61h       | 61h       | 61h       |
|                               | Device ID                    | 01A05h  | 1               | 27h       | 26h       | 25h       |
|                               | Hardware revision            | 01A06h  | 1               | Per unit  | Per unit  | Per unit  |
|                               | Firmware revision            | 01A07h  | 1               | Per unit  | Per unit  | Per unit  |
| Die Record                    | Die record tag               | 01A08h  | 1               | 08h       | 08h       | 08h       |
|                               | Die record length            | 01A09h  | 1               | 0Ah       | 0Ah       | 0Ah       |
|                               | Lot/wafer ID                 | 01A0Ah  | 4               | Per unit  | Per unit  | Per unit  |
|                               | Die X position               | 01A0Eh  | 2               | Per unit  | Per unit  | Per unit  |
|                               | Die Y position               | 01A10h  | 2               | Per unit  | Per unit  | Per unit  |
|                               | Test results                 | 01A12h  | 2               | Per unit  | Per unit  | Per unit  |
| Empty Descriptor              | Empty tag                    | 01A14h  | 1               | 05h       | 05h       | 05h       |
|                               | Empty tag length             | 01A15h  | 1               | 10h       | 10h       | 10h       |
|                               |                              | 01A16h  | 16              | undefined | undefined | undefined |
| REF Calibration               | REF calibration I            | 01A26h  | 1               | 12h       | 12h       | 12h       |
|                               | REF calibration length       | 01A27h  | 1               | 06h       | 06h       | 06h       |
|                               | 1.5-V reference factor       | 01A28h  | 2               | Per unit  | Per unit  | Per unit  |
|                               | 2.0-V reference factor       | 01A2Ah  | 2               | Per unit  | Per unit  | Per unit  |
|                               | 2.5-V reference factor       | 01A2Ch  | 2               | Per unit  | Per unit  | Per unit  |
| Peripheral Descriptor<br>(PD) | Peripheral descriptor tag    | 01A2Eh  | 1               | 02h       | 02h       | 02h       |
|                               | Peripheral descriptor length | 01A2Fh  | 1               | 55h       | 55h       | 55h       |
|                               | Peripheral descriptors       | 01A30h  | PD Length       | ...       | ...       | ...       |

## 7 Applications, Implementation, and Layout

---

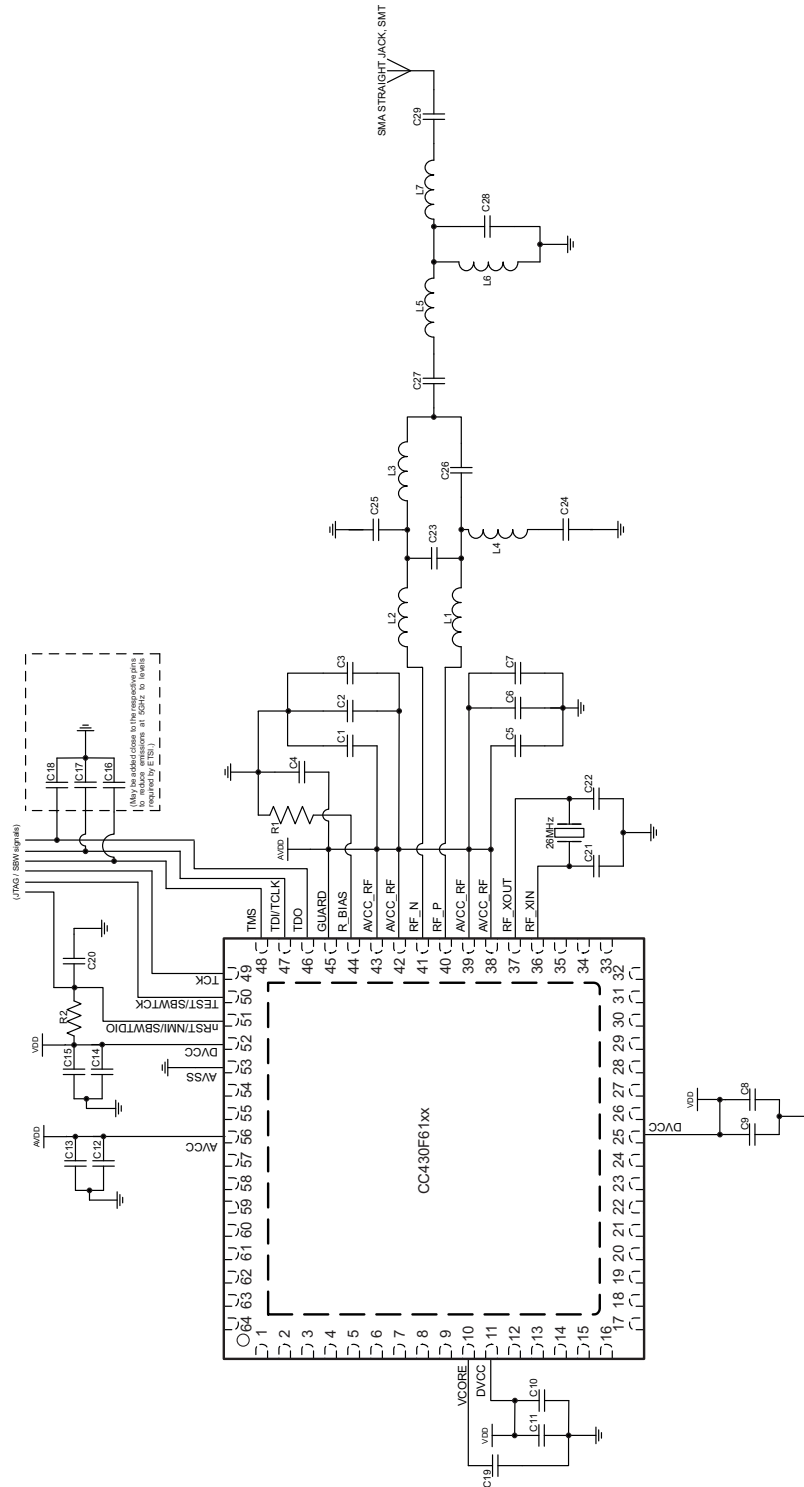
### NOTE

Information in the following Applications section is not part of the TI component specification, and TI does not warrant its accuracy or completeness. TI's customers are responsible for determining suitability of components for their purposes. Customers should validate and test their design implementation to confirm system functionality.

---

### 7.1 Application Circuits

[Figure 7-1](#) shows a typical application circuit for the CC430F61xx. [Table 7-1](#) lists the bill of materials.

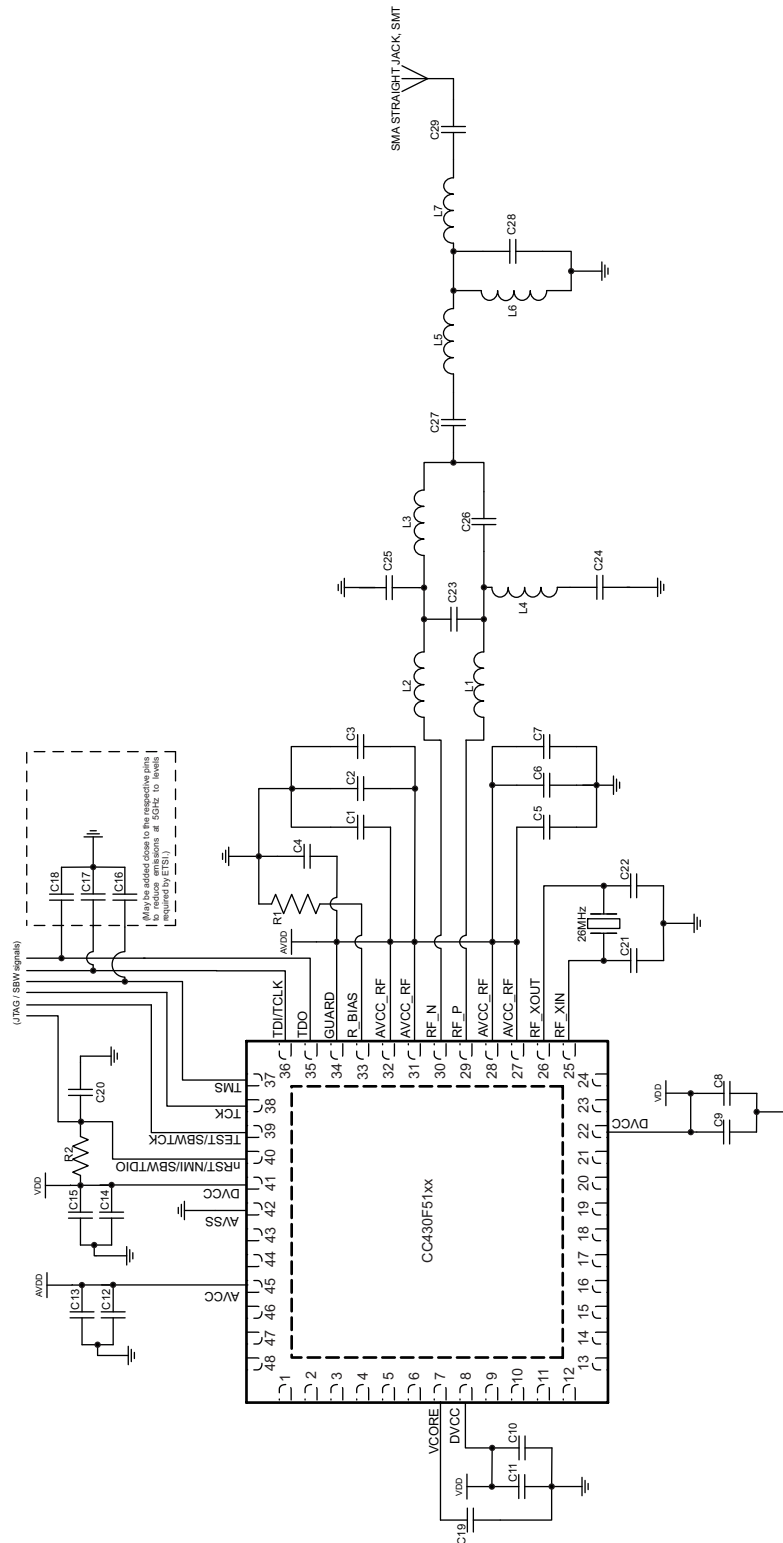


Copyright © 2017, Texas Instruments Incorporated

For a complete reference design including layout, see the [CC430 wireless development tools](#) and the [MSP430 Hardware Tools User's Guide](#).

**Figure 7-1. Typical Application Circuit CC430F61xx**

Figure 7-2 shows a typical application circuit for the CC430F51xx. Table 7-1 lists the bill of materials.



Copyright © 2017, Texas Instruments Incorporated

For a complete reference design including layout, see the [CC430 wireless development tools](#) and the [MSP430 Hardware Tools User's Guide](#).

**Figure 7-2. Typical Application Circuit CC430F51xx**

**Table 7-1. Bill of Materials**

| Components                            | For 315 MHz        | For 433 MHz        | For 868 or 915 MHz | Comment  |
|---------------------------------------|--------------------|--------------------|--------------------|--|
| C1, C3, C4, C5, C7, C9, C11, C13, C15 |                    | 100 nF             |                    | Decoupling capacitors                                      |
| C8, C10, C12, C14                     |                    | 10 $\mu$ F         |                    | Decoupling capacitors                                      |
| C2, C6, C16, C17, C18                 |                    | 2 pF               |                    | Decoupling capacitors                                      |
| C19                                   |                    | 470 nF             |                    | V <sub>CORE</sub> capacitor                                |
| C20                                   |                    | 2.2 nF             |                    | $\overline{\text{RST}}$ decoupling cap (optimized for SBW) |
| C21, C22                              |                    | 27 pF              |                    | Load capacitors for 26 MHz crystal <sup>(1)</sup>          |
| R1                                    |                    | 56 k $\Omega$      |                    | R_BIAS ( $\pm$ 1% required)                                |
| R2                                    |                    | 47 k $\Omega$      |                    | $\overline{\text{RST}}$ pullup                             |
| L1, L2                                | Capacitors: 220 pF | 0.016 $\mu$ H      | 0.012 $\mu$ H      |  |
| L3, L4                                | 0.033 $\mu$ H      | 0.027 $\mu$ H      | 0.018 $\mu$ H      |  |
| L5                                    | 0.033 $\mu$ H      | 0.047 $\mu$ H      | 0.015 $\mu$ H      |  |
| L6                                    | dnp <sup>(2)</sup> | dnp <sup>(2)</sup> | 0.0022 $\mu$ H     |  |
| L7                                    | 0.033 $\mu$ H      | 0.051 $\mu$ H      | 0.015 $\mu$ H      |  |
| C23                                   | dnp <sup>(2)</sup> | 2.7 pF             | 1 pF               |  |
| C24                                   | 220 pF             | 220 pF             | 100 pF             |  |
| C25                                   | 6.8 pF             | 3.9 pF             | 1.5 pF             |  |
| C26                                   | 6.8 pF             | 3.9 pF             | 1.5 pF             |  |
| C27                                   | 220 pF             | 220 pF             | 1.5 pF             |  |
| C28                                   | 10 pF              | 4.7 pF             | 8.2 pF             |  |
| C29                                   | 220 pF             | 220 pF             | 1.5 pF             |  |

(1) The load capacitance C<sub>L</sub> seen by the crystal is  $C_L = 1 / ((1 / C21) + (1 / C22)) + C_{\text{parasitic}}$ . The parasitic capacitance C<sub>parasitic</sub> includes pin capacitance and PCB stray capacitance. It can typically be estimated to be approximately 2.5 pF.

(2) dnp = do not populate

## 8 Device and Documentation Support

### 8.1 Getting Started and Next Steps

For an introduction to the MSP430™ family of devices and the tools and libraries that are available to help with your development, visit the [Getting Started page](#).

### 8.2 Device Nomenclature

To designate the stages in the product development cycle, TI assigns prefixes to the part numbers of all MSP MCU devices. Each MSP MCU commercial family member has one of two prefixes: MSP or XMS. These prefixes represent evolutionary stages of product development from engineering prototypes (XMS) through fully qualified production devices (MSP).

**XMS** – Experimental device that is not necessarily representative of the final device's electrical specifications

**MSP** – Fully qualified production device

XMS devices are shipped against the following disclaimer:

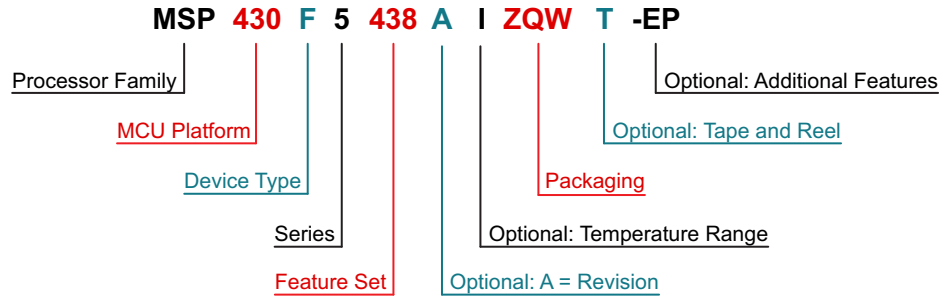
"Developmental product is intended for internal evaluation purposes."

MSP devices have been characterized fully, and the quality and reliability of the device have been demonstrated fully. TI's standard warranty applies.

Predictions show that prototype devices (XMS) have a greater failure rate than the standard production devices. TI recommends that these devices not be used in any production system because their expected end-use failure rate still is undefined. Only qualified production devices are to be used.

TI device nomenclature also includes a suffix with the device family name. This suffix indicates the temperature range, package type, and distribution format. [Figure 8-1](#) provides a legend for reading the complete device name.





|                                      |  |   |
|--------------------------------------|--|---|
| <b>Processor Family</b>              | CC = Embedded RF Radio<br>MSP = Mixed-Signal Processor<br>XMS = Experimental Silicon<br>PMS = Prototype Device                 |   |
| <b>MCU Platform</b>                  | 430 = MSP430 low-power microcontroller platform  |   |
| <b>Device Type</b>                   | <b>Memory Type</b><br>C = ROM<br>F = Flash<br>FR = FRAM<br>G = Flash or FRAM (Value Line)<br>L = No Nonvolatile Memory         | <b>Specialized Application</b><br>AFE = Analog Front End<br>BQ = Contactless Power<br>CG = ROM Medical<br>FE = Flash Energy Meter<br>FG = Flash Medical<br>FW = Flash Electronic Flow Meter |
| <b>Series</b>                        | 1 = Up to 8 MHz<br>2 = Up to 16 MHz<br>3 = Legacy<br>4 = Up to 16 MHz with LCD   | 5 = Up to 25 MHz<br>6 = Up to 25 MHz with LCD<br>0 = Low-Voltage Series   |
| <b>Feature Set</b>                   | Various levels of integration within a series  |   |
| <b>Optional: A = Revision</b>        | N/A  |   |
| <b>Optional: Temperature Range</b>   | S = 0°C to 50°C<br>C = 0°C to 70°C<br>I = -40°C to 85°C<br>T = -40°C to 105°C  |   |
| <b>Packaging</b>                     | <a href="http://www.ti.com/packaging">http://www.ti.com/packaging</a>  |   |
| <b>Optional: Tape and Reel</b>       | T = Small reel<br>R = Large reel<br>No markings = Tube or tray   |   |
| <b>Optional: Additional Features</b> | -EP = Enhanced Product (-40°C to 105°C)<br>-HT = Extreme Temperature Parts (-55°C to 150°C)<br>-Q1 = Automotive Q100 Qualified |   |

**Figure 8-1. Device Nomenclature**

## 8.3 Tools and Software

The CC430 microcontrollers are supported by a wide variety of software and hardware development tools. Tools are available from TI and various third parties.

### Design Kits and Evaluation Modules

**CC430 Sub-GHz RF Experimenter's Board** The MSP-EXPCC430RFx Experimenter Kit is a complete sub-GHz development platform for the CC430 devices from the MSP430 family of ultra-low-power microcontrollers. The kit provides two sub-GHz wireless modules: the MSP-EXP430F6137Rx Base Board with the CC430F6137, and the MSP-EXP430F5137Rx Satellite Board with the CC430F5137.

**Chronos: Wireless Development Tool in a Watch** The eZ430-Chronos is a highly integrated, wearable wireless development system based for the CC430 in a sports watch. It may be used as a reference platform for watch systems, a personal display for personal area networks, or as a wireless sensor node for remote data collection.

**Sub-1 GHz RF Spectrum Analyzer Tool** The MSP-SA430-SUB1GHZ Spectrum Analyzer is CC430-based reference design that can be used to implement an easy and affordable tool to jumpstart RF development in the sub-GHz frequency range. More and more electronic devices include a built-in RF link. RF transceivers are inexpensive - but the equipment to design and debug such systems is not. The CC430-based spectrum analyzer provides an affordable development tool that reduces the time needed on expensive measurement equipment.

### Software

**MSP430Ware™ Software** MSP430Ware software is a collection of code examples, data sheets, and other design resources for all MSP430 devices delivered in a convenient package. In addition to providing a complete collection of existing MSP430 design resources, MSP430Ware software also includes a high-level API called MSP Driver Library. This library makes it easy to program MSP430 hardware. MSP430Ware software is available as a component of CCS or as a stand-alone package.

**CC430F613x Code Examples** C Code examples that configure each of the integrated peripherals for various application needs.

**ULP (Ultra-Low Power) Advisor** ULP (Ultra-Low Power) Advisor is a tool for guiding developers to write more efficient code to fully utilize the unique ultra-low power features of MSP430 and MSP432 microcontrollers. Aimed at both experienced and new microcontroller developers, ULP Advisor checks your code against a thorough ULP checklist to squeeze every last nano amp out of your application.

### Development Tools

**Code Composer Studio™ Integrated Development Environment for MSP Microcontrollers** Code Composer Studio is an integrated development environment (IDE) that supports all MSP microcontroller devices. Code Composer Studio comprises a suite of embedded software utilities used to develop and debug embedded applications. It includes an optimizing C/C++ compiler, source code editor, project build environment, debugger, profiler, and many other features.

**GCC - Open Source Compiler for MSP430 Microcontrollers** TI has partnered with Red Hat to bring you a new and fully supported open source compiler as the successor to the community driven MSPGCC. This free GCC 4.9 compiler supports all MSP430 devices and has no code size limit. In addition, this compiler can be used stand-alone or selected within Code Composer Studio v6.0 or later.

**MSP MCU Programmer and Debugger** The MSP-FET is a powerful emulation development tool – often called a debug probe – which allows users to quickly begin application development on MSP low-power microcontrollers (MCU).

**MSP-GANG Production Programmer** The MSP Gang Programmer is a device programmer that can program up to eight identical devices at the same time. The MSP Gang Programmer connects to a host PC using a standard RS-232 or USB connection and provides flexible programming options that allow the user to fully customize the process.

## 8.4 Documentation Support

The following documents describe the CC430F613x, CC430F612x, and CC430F513x devices. Copies of these documents are available on the Internet at [www.ti.com](http://www.ti.com).

### Receiving Notification of Document Updates

To receive notification of documentation updates—including silicon errata—go to the product folder for your device on [ti.com](http://ti.com) (for links to the product folder, see [Section 8.5](#)). In the upper right corner, click the "Alert me" button. This registers you to receive a weekly digest of product information that has changed (if any). For change details, check the revision history of any revised document.

### Errata

- [CC430F6137 Device Erratasheet](#) Describes the known exceptions to the functional specifications.
- [CC430F6135 Device Erratasheet](#) Describes the known exceptions to the functional specifications.
- [CC430F6127 Device Erratasheet](#) Describes the known exceptions to the functional specifications.
- [CC430F6126 Device Erratasheet](#) Describes the known exceptions to the functional specifications.
- [CC430F6125 Device Erratasheet](#) Describes the known exceptions to the functional specifications.
- [CC430F5137 Device Erratasheet](#) Describes the known exceptions to the functional specifications.
- [CC430F5135 Device Erratasheet](#) Describes the known exceptions to the functional specifications.
- [CC430F5133 Device Erratasheet](#) Describes the known exceptions to the functional specifications.

### User's Guides

- [CC430 Family User's Guide](#) Detailed information on the modules and peripherals available in this device family.
- [Code Composer Studio for MSP430 User's Guide](#) This user's guide describes how to use the TI Code Composer Studio IDE with the MSP430 ultra-low-power microcontrollers.
- [MSP430™ Flash Device Bootloader \(BSL\) User's Guide](#) The MSP430 bootloader (BSL, formerly known as the bootstrap loader) allows users to communicate with embedded memory in the MSP430 microcontroller during the prototyping phase, final production, and in service. Both the programmable memory (flash memory) and the data memory (RAM) can be modified as required. Do not confuse the bootloader with the bootstrap loader programs found in some digital signal processors (DSPs) that automatically load program code (and data) from external memory to the internal memory of the DSP.
- [MSP430 Programming With the JTAG Interface](#) This document describes the functions that are required to erase, program, and verify the memory module of the MSP430 flash-based and FRAM-based microcontroller families using the JTAG communication port. In addition, it describes how to program the JTAG access security fuse that is available on all MSP430 devices. This document describes device access using both the standard 4-wire JTAG interface and the 2-wire JTAG interface, which is also referred to as Spy-Bi-Wire (SBW).
- [MSP430 Hardware Tools User's Guide](#) This manual describes the hardware of the TI MSP-FET430 Flash Emulation Tool (FET). The FET is the program development tool for the MSP430 ultra-low-power microcontroller. Both available interface types, the parallel port interface and the USB interface, are described.

### Application Reports

- [MSP430 32-kHz Crystal Oscillators](#) Selection of the right crystal, correct load circuit, and proper board layout are important for a stable crystal oscillator. This application report summarizes crystal oscillator function and explains the parameters to select the correct crystal for MSP430 ultra-low-power operation. In addition, hints and examples for correct board layout are given. The document also contains detailed information on the possible oscillator tests to ensure stable oscillator operation in mass production.
- [MSP430 System-Level ESD Considerations](#) System-Level ESD has become increasingly demanding with silicon technology scaling towards lower voltages and the need for designing cost-effective and ultra-low-power components. This application report addresses three different ESD topics to help board designers and OEMs understand and design robust system-level designs: (1) Component-level ESD testing and system-level ESD testing, their differences

and why component-level ESD rating does not ensure system-level robustness. (2) General design guidelines for system-level ESD protection at different levels including enclosures, cables, PCB layout, and on-board ESD protection devices. (3) Introduction to System Efficient ESD Design (SEED), a co-design methodology of on-board and on-chip ESD protection to achieve system-level ESD robustness, with example simulations and test results. A few real-world system-level ESD protection design examples and their results are also discussed.

**DN005 CC11xx Sensitivity versus Frequency Offset and Crystal Accuracy** This design note provides plots of CC11xx (CC1100, CC1100E, CC1101, CC1110, and CC1111) sensitivity versus frequency offset for different data rates. The required crystal accuracy is calculated from these plots. The results are also applicable for CC430.

**AN050 Using the CC1101 in the European 868 MHz SRD Band** The CC1101 is a truly low cost, highly integrated, and very flexible RF transceiver. The CC1101 is primarily designed for use in low-power applications in the 315, 433, 868 and 915 MHz SRD/ISM bands. This application note describes how to use the CC1101 in the European 863 – 870 MHz SRD frequency bands in order to comply with EN 300 220 requirements. The application note is also applicable for CC1110, CC1111, and CC430 SoCs as they use the same radio as CC1101.

**DN010 Close-in Reception with CC1101** This document describes how the CC1100E and CC1101 can be used in close-range applications. The chips have a saturation limit of approximately –15 dBm at 250 kbps, which might be a challenge for some short-range applications. Two suggested solutions are presented, the first is a double-transmit scheme and the second is to shift the receivers dynamic range during close-range reception.

**DN013 Programming Output Power on CC1101** The CC1101 RF output power level is set by the PATABLE register setting. This register setting also influences the power levels at the different harmonics and the current consumption for the device. These parameters must therefore be considered when choosing the optimal register settings. This document gives complete CC1101 PA tables with typical output power, harmonics, and current consumption for the different register settings at 25°C and 3.0 V supply voltage.

**DN017 CC11xx 868/915 MHz RF Matching** This design note gives a short introduction to RF matching and important aspects when designing products using the CC11xx parts. Because all of the CC11xx parts have the same RF front end, the same matching network can be used between the radio and the antenna. TI provides a reference design for all CC11xx products. These reference designs show recommended placement and values for decoupling capacitors and components in the matching network.

## 8.5 Related Links

[Table 8-1](#) lists quick access links. Categories include technical documents, support and community resources, tools and software, and quick access to sample or buy.

**Table 8-1. Related Links**

| PARTS      | PRODUCT FOLDER             | ORDER NOW                  | TECHNICAL DOCUMENTS        | TOOLS & SOFTWARE           | SUPPORT & COMMUNITY        |
|------------|----------------------------|----------------------------|----------------------------|----------------------------|----------------------------|
| CC430F6137 | <a href="#">Click here</a> | <a href="#">Click here</a> | <a href="#">Click here</a> | <a href="#">Click here</a> | <a href="#">Click here</a> |
| CC430F6135 | <a href="#">Click here</a> | <a href="#">Click here</a> | <a href="#">Click here</a> | <a href="#">Click here</a> | <a href="#">Click here</a> |
| CC430F6127 | <a href="#">Click here</a> | <a href="#">Click here</a> | <a href="#">Click here</a> | <a href="#">Click here</a> | <a href="#">Click here</a> |
| CC430F6126 | <a href="#">Click here</a> | <a href="#">Click here</a> | <a href="#">Click here</a> | <a href="#">Click here</a> | <a href="#">Click here</a> |
| CC430F6125 | <a href="#">Click here</a> | <a href="#">Click here</a> | <a href="#">Click here</a> | <a href="#">Click here</a> | <a href="#">Click here</a> |
| CC430F5137 | <a href="#">Click here</a> | <a href="#">Click here</a> | <a href="#">Click here</a> | <a href="#">Click here</a> | <a href="#">Click here</a> |
| CC430F5135 | <a href="#">Click here</a> | <a href="#">Click here</a> | <a href="#">Click here</a> | <a href="#">Click here</a> | <a href="#">Click here</a> |
| CC430F5133 | <a href="#">Click here</a> | <a href="#">Click here</a> | <a href="#">Click here</a> | <a href="#">Click here</a> | <a href="#">Click here</a> |

## 8.6 Community Resources

The following links connect to TI community resources. Linked contents are provided "AS IS" by the respective contributors. They do not constitute TI specifications and do not necessarily reflect TI's views; see TI's [Terms of Use](#).

### [TI E2E™ Community](#)

*TI's Engineer-to-Engineer (E2E) Community.* Created to foster collaboration among engineers. At [e2e.ti.com](http://e2e.ti.com), you can ask questions, share knowledge, explore ideas, and help solve problems with fellow engineers.

### [TI Embedded Processors Wiki](#)

*Texas Instruments Embedded Processors Wiki.* Established to help developers get started with embedded processors from Texas Instruments and to foster innovation and growth of general knowledge about the hardware and software surrounding these devices.

## 8.7 Trademarks

MSP430, MSP430Ware, E2E are trademarks of Texas Instruments. All other trademarks are the property of their respective owners.

## 8.8 Electrostatic Discharge Caution



This integrated circuit can be damaged by ESD. Texas Instruments recommends that all integrated circuits be handled with appropriate precautions. Failure to observe proper handling and installation procedures can cause damage.

ESD damage can range from subtle performance degradation to complete device failure. Precision integrated circuits may be more susceptible to damage because very small parametric changes could cause the device not to meet its published specifications.

## 8.9 Export Control Notice

Recipient agrees to not knowingly export or re-export, directly or indirectly, any product or technical data (as defined by the U.S., EU, and other Export Administration Regulations) including software, or any controlled product restricted by other applicable national regulations, received from disclosing party under nondisclosure obligations (if any), or any direct product of such technology, to any destination to which such export or re-export is restricted or prohibited by U.S. or other applicable laws, without obtaining prior authorization from U.S. Department of Commerce and other competent Government authorities to the extent required by those laws.

## 8.10 Glossary

[TI Glossary](#) This glossary lists and explains terms, acronyms, and definitions.

## 9 Mechanical, Packaging, and Orderable Information

The following pages include mechanical, packaging, and orderable information. This information is the most current data available for the designated devices. This data is subject to change without notice and revision of this document. For browser-based versions of this data sheet, refer to the left-hand navigation.

**PACKAGING INFORMATION**

| Orderable Device | Status<br>(1) | Package Type | Package Drawing | Pins | Package Qty | Eco Plan<br>(2) | Lead finish/<br>Ball material<br>(6) | MSL Peak Temp<br>(3) | Op Temp (°C) | Device Marking<br>(4/5) | Samples                 |
|------------------|---------------|--------------|-----------------|------|-------------|-----------------|--------------------------------------|----------------------|--------------|-------------------------|-------------------------|
| CC430F5133IRGZ   | ACTIVE        | VQFN         | RGZ             | 48   | 52          | RoHS & Green    | NIPDAU                               | Level-3-260C-168 HR  | -40 to 85    | CC430<br>F5133          | <a href="#">Samples</a> |
| CC430F5133IRGZR  | ACTIVE        | VQFN         | RGZ             | 48   | 2500        | RoHS & Green    | NIPDAU                               | Level-3-260C-168 HR  | -40 to 85    | CC430<br>F5133          | <a href="#">Samples</a> |
| CC430F5133IRGZT  | ACTIVE        | VQFN         | RGZ             | 48   | 250         | RoHS & Green    | NIPDAU                               | Level-3-260C-168 HR  | -40 to 85    | CC430<br>F5133          | <a href="#">Samples</a> |
| CC430F5135IRGZ   | ACTIVE        | VQFN         | RGZ             | 48   | 52          | RoHS & Green    | NIPDAU                               | Level-3-260C-168 HR  | -40 to 85    | CC430<br>F5135          | <a href="#">Samples</a> |
| CC430F5135IRGZR  | ACTIVE        | VQFN         | RGZ             | 48   | 2500        | RoHS & Green    | NIPDAU                               | Level-3-260C-168 HR  | -40 to 85    | CC430<br>F5135          | <a href="#">Samples</a> |
| CC430F5135IRGZT  | ACTIVE        | VQFN         | RGZ             | 48   | 250         | RoHS & Green    | NIPDAU                               | Level-3-260C-168 HR  | -40 to 85    | CC430<br>F5135          | <a href="#">Samples</a> |
| CC430F5137IRGZ   | ACTIVE        | VQFN         | RGZ             | 48   | 52          | RoHS & Green    | NIPDAU                               | Level-3-260C-168 HR  | -40 to 85    | CC430<br>F5137          | <a href="#">Samples</a> |
| CC430F5137IRGZR  | ACTIVE        | VQFN         | RGZ             | 48   | 2500        | RoHS & Green    | NIPDAU                               | Level-3-260C-168 HR  | -40 to 85    | CC430<br>F5137          | <a href="#">Samples</a> |
| CC430F5137IRGZT  | ACTIVE        | VQFN         | RGZ             | 48   | 250         | RoHS & Green    | NIPDAU                               | Level-3-260C-168 HR  | -40 to 85    | CC430<br>F5137          | <a href="#">Samples</a> |
| CC430F6125IRGCR  | ACTIVE        | VQFN         | RGC             | 64   | 2000        | RoHS & Green    | NIPDAU   NIPDAUAG                    | Level-3-260C-168 HR  | -40 to 85    | CC430F6125              | <a href="#">Samples</a> |
| CC430F6126IRGCR  | ACTIVE        | VQFN         | RGC             | 64   | 2000        | RoHS & Green    | NIPDAU   NIPDAUAG                    | Level-3-260C-168 HR  | -40 to 85    | CC430F6126              | <a href="#">Samples</a> |
| CC430F6127IRGCR  | ACTIVE        | VQFN         | RGC             | 64   | 2000        | RoHS & Green    | NIPDAU   NIPDAUAG                    | Level-3-260C-168 HR  | -40 to 85    | CC430F6127              | <a href="#">Samples</a> |
| CC430F6127IRGCT  | ACTIVE        | VQFN         | RGC             | 64   | 250         | RoHS & Green    | NIPDAU   NIPDAUAG                    | Level-3-260C-168 HR  | -40 to 85    | CC430F6127              | <a href="#">Samples</a> |
| CC430F6135IRGCR  | ACTIVE        | VQFN         | RGC             | 64   | 2000        | RoHS & Green    | NIPDAU   NIPDAUAG                    | Level-3-260C-168 HR  | -40 to 85    | CC430F6135              | <a href="#">Samples</a> |
| CC430F6137IRGCR  | ACTIVE        | VQFN         | RGC             | 64   | 2000        | RoHS & Green    | NIPDAU   NIPDAUAG                    | Level-3-260C-168 HR  | -40 to 85    | CC430F6137              | <a href="#">Samples</a> |
| CC430F6137IRGCT  | ACTIVE        | VQFN         | RGC             | 64   | 250         | RoHS & Green    | NIPDAU   NIPDAUAG                    | Level-3-260C-168 HR  | -40 to 85    | CC430F6137              | <a href="#">Samples</a> |

(1) The marketing status values are defined as follows:

**ACTIVE:** Product device recommended for new designs.

**LIFEBUY:** TI has announced that the device will be discontinued, and a lifetime-buy period is in effect.

**NRND:** Not recommended for new designs. Device is in production to support existing customers, but TI does not recommend using this part in a new design.

---

**PREVIEW:** Device has been announced but is not in production. Samples may or may not be available.

**OBSELETE:** TI has discontinued the production of the device.

<sup>(2)</sup> **RoHS:** TI defines "RoHS" to mean semiconductor products that are compliant with the current EU RoHS requirements for all 10 RoHS substances, including the requirement that RoHS substance do not exceed 0.1% by weight in homogeneous materials. Where designed to be soldered at high temperatures, "RoHS" products are suitable for use in specified lead-free processes. TI may reference these types of products as "Pb-Free".

**RoHS Exempt:** TI defines "RoHS Exempt" to mean products that contain lead but are compliant with EU RoHS pursuant to a specific EU RoHS exemption.

**Green:** TI defines "Green" to mean the content of Chlorine (Cl) and Bromine (Br) based flame retardants meet JS709B low halogen requirements of  $\leq 1000$ ppm threshold. Antimony trioxide based flame retardants must also meet the  $\leq 1000$ ppm threshold requirement.

<sup>(3)</sup> MSL, Peak Temp. - The Moisture Sensitivity Level rating according to the JEDEC industry standard classifications, and peak solder temperature.

<sup>(4)</sup> There may be additional marking, which relates to the logo, the lot trace code information, or the environmental category on the device.

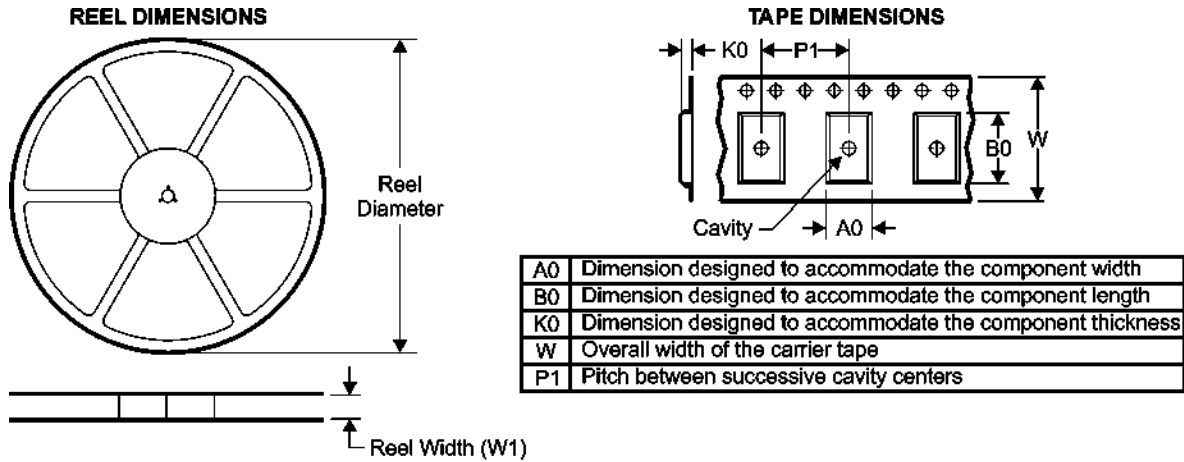
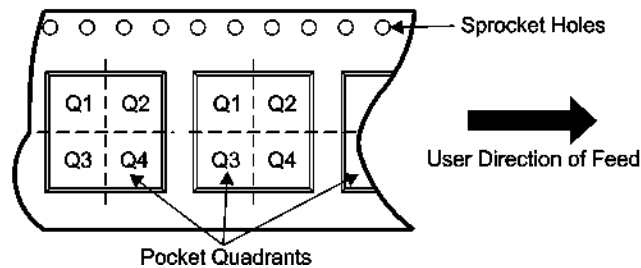
<sup>(5)</sup> Multiple Device Markings will be inside parentheses. Only one Device Marking contained in parentheses and separated by a "~" will appear on a device. If a line is indented then it is a continuation of the previous line and the two combined represent the entire Device Marking for that device.

<sup>(6)</sup> Lead finish/Ball material - Orderable Devices may have multiple material finish options. Finish options are separated by a vertical ruled line. Lead finish/Ball material values may wrap to two lines if the finish value exceeds the maximum column width.

**Important Information and Disclaimer:** The information provided on this page represents TI's knowledge and belief as of the date that it is provided. TI bases its knowledge and belief on information provided by third parties, and makes no representation or warranty as to the accuracy of such information. Efforts are underway to better integrate information from third parties. TI has taken and continues to take reasonable steps to provide representative and accurate information but may not have conducted destructive testing or chemical analysis on incoming materials and chemicals. TI and TI suppliers consider certain information to be proprietary, and thus CAS numbers and other limited information may not be available for release.

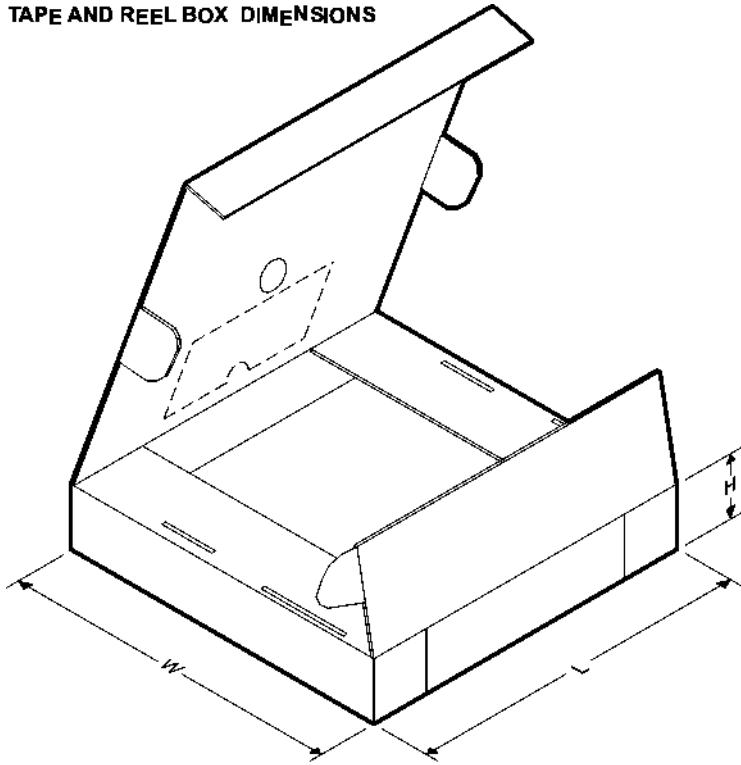
In no event shall TI's liability arising out of such information exceed the total purchase price of the TI part(s) at issue in this document sold by TI to Customer on an annual basis.



**TAPE AND REEL INFORMATION**

**QUADRANT ASSIGNMENTS FOR PIN 1 ORIENTATION IN TAPE**


\*All dimensions are nominal

| Device          | Package Type | Package Drawing | Pins | SPQ  | Reel Diameter (mm) | Reel Width W1 (mm) | A0 (mm) | B0 (mm) | K0 (mm) | P1 (mm) | W (mm) | Pin1 Quadrant |
|-----------------|--------------|-----------------|------|------|--------------------|--------------------|---------|---------|---------|---------|--------|---------------|
| CC430F5133IRGZR | VQFN         | RGZ             | 48   | 2500 | 330.0              | 16.4               | 7.3     | 7.3     | 1.5     | 12.0    | 16.0   | Q2            |
| CC430F5133IRGZT | VQFN         | RGZ             | 48   | 250  | 180.0              | 16.4               | 7.3     | 7.3     | 1.5     | 12.0    | 16.0   | Q2            |
| CC430F5135IRGZR | VQFN         | RGZ             | 48   | 2500 | 330.0              | 16.4               | 7.3     | 7.3     | 1.5     | 12.0    | 16.0   | Q2            |
| CC430F5135IRGZT | VQFN         | RGZ             | 48   | 250  | 180.0              | 16.4               | 7.3     | 7.3     | 1.5     | 12.0    | 16.0   | Q2            |
| CC430F5137IRGZR | VQFN         | RGZ             | 48   | 2500 | 330.0              | 16.4               | 7.3     | 7.3     | 1.5     | 12.0    | 16.0   | Q2            |
| CC430F5137IRGZT | VQFN         | RGZ             | 48   | 250  | 180.0              | 16.4               | 7.3     | 7.3     | 1.5     | 12.0    | 16.0   | Q2            |

**TAPE AND REEL BOX DIMENSIONS**


\*All dimensions are nominal

| Device          | Package Type | Package Drawing | Pins | SPQ  | Length (mm) | Width (mm) | Height (mm) |
|-----------------|--------------|-----------------|------|------|-------------|------------|-------------|
| CC430F5133IRGZR | VQFN         | RGZ             | 48   | 2500 | 350.0       | 350.0      | 43.0        |
| CC430F5133IRGZT | VQFN         | RGZ             | 48   | 250  | 213.0       | 191.0      | 55.0        |
| CC430F5135IRGZR | VQFN         | RGZ             | 48   | 2500 | 350.0       | 350.0      | 43.0        |
| CC430F5135IRGZT | VQFN         | RGZ             | 48   | 250  | 213.0       | 191.0      | 55.0        |
| CC430F5137IRGZR | VQFN         | RGZ             | 48   | 2500 | 350.0       | 350.0      | 43.0        |
| CC430F5137IRGZT | VQFN         | RGZ             | 48   | 250  | 213.0       | 191.0      | 55.0        |

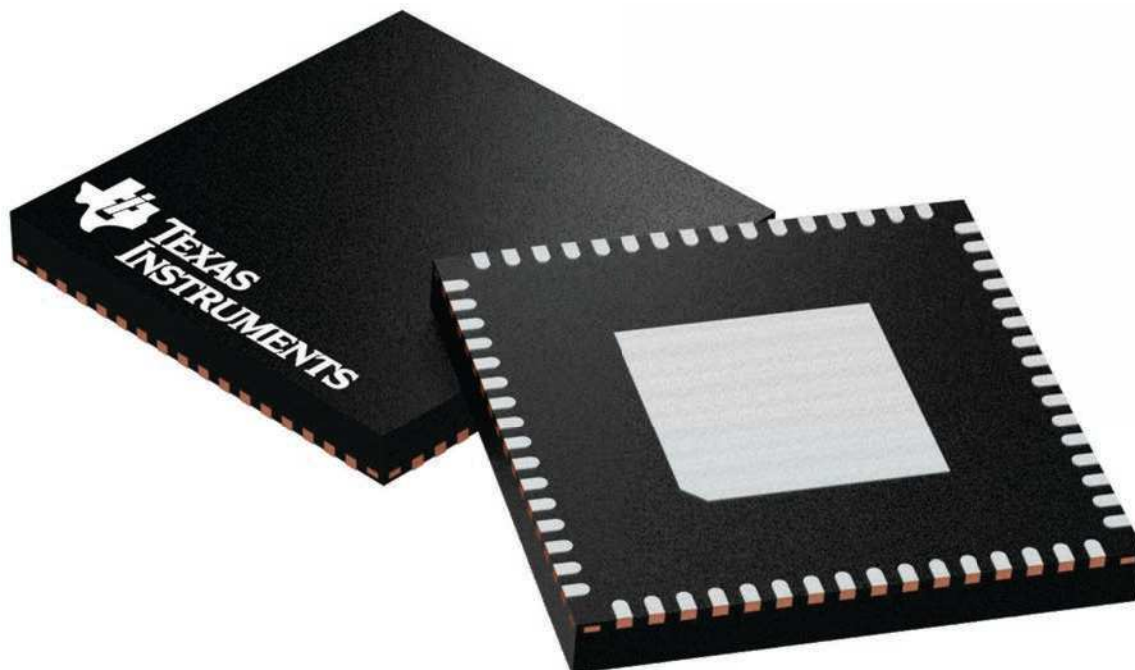
## GENERIC PACKAGE VIEW

**RGC 64**

**VQFN - 1 mm max height**

9 x 9, 0.5 mm pitch

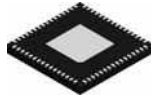
PLASTIC QUAD FLATPACK - NO LEAD



Images above are just a representation of the package family, actual package may vary.  
Refer to the product data sheet for package details.

4224597/A

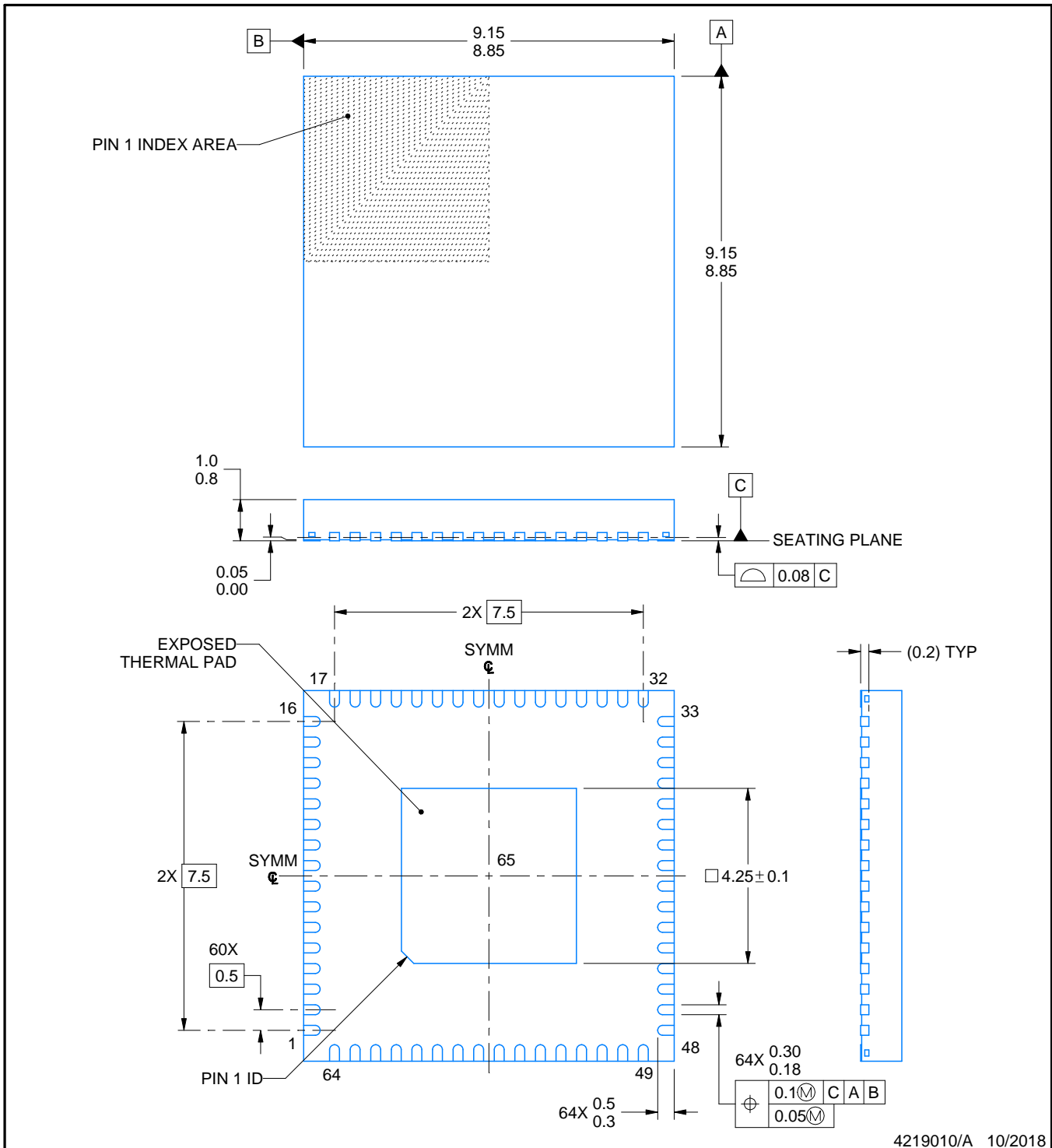
# RGC0064B



## PACKAGE OUTLINE

VQFN - 1 mm max height

PLASTIC QUAD FLATPACK - NO LEAD



**NOTES:**

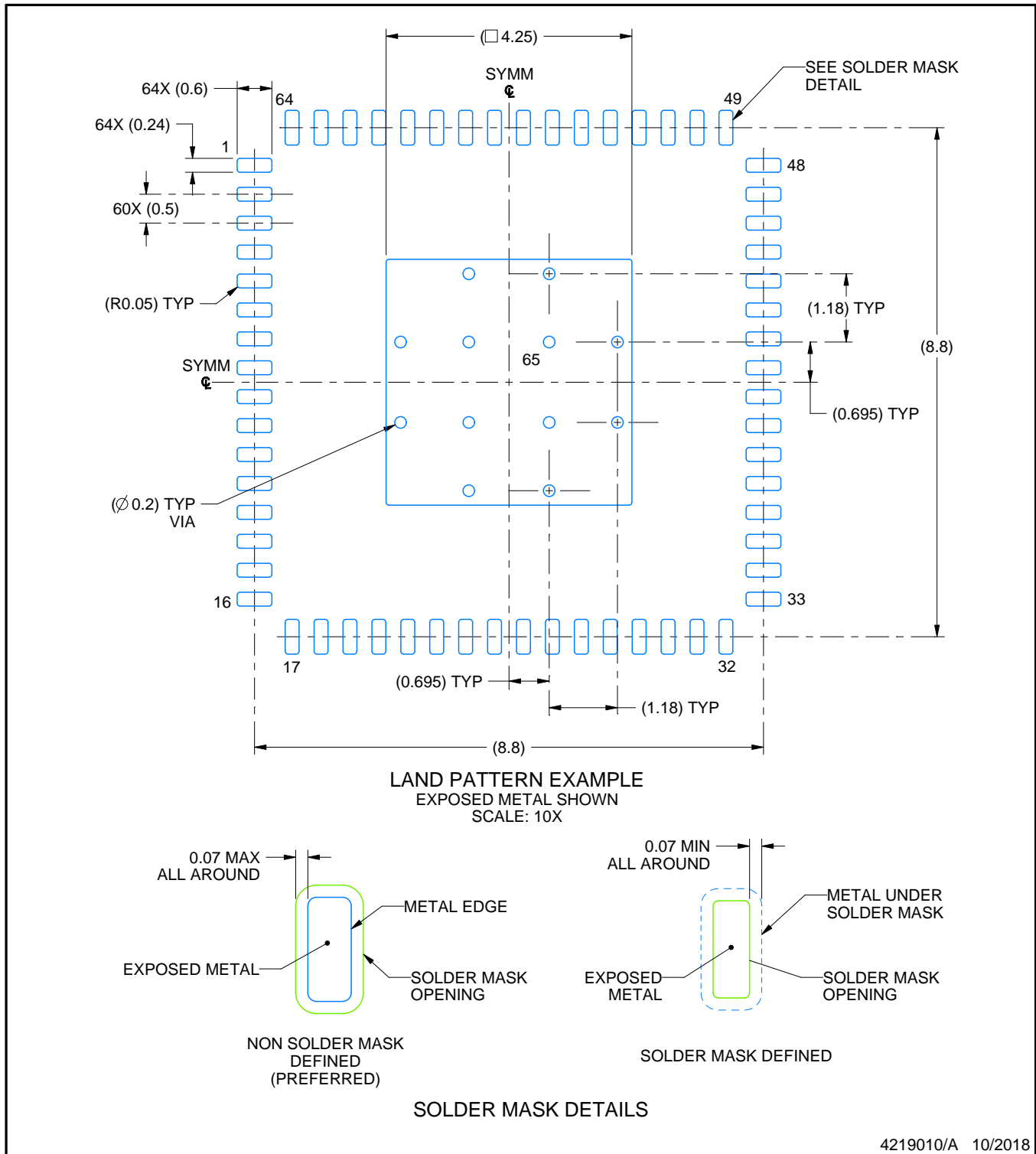
1. All linear dimensions are in millimeters. Any dimensions in parenthesis are for reference only. Dimensioning and tolerancing per ASME Y14.5M.
2. This drawing is subject to change without notice.
3. The package thermal pad must be soldered to the printed circuit board for thermal and mechanical performance.

# EXAMPLE BOARD LAYOUT

RGC0064B

VQFN - 1 mm max height

PLASTIC QUAD FLATPACK - NO LEAD



4219010/A 10/2018

NOTES: (continued)

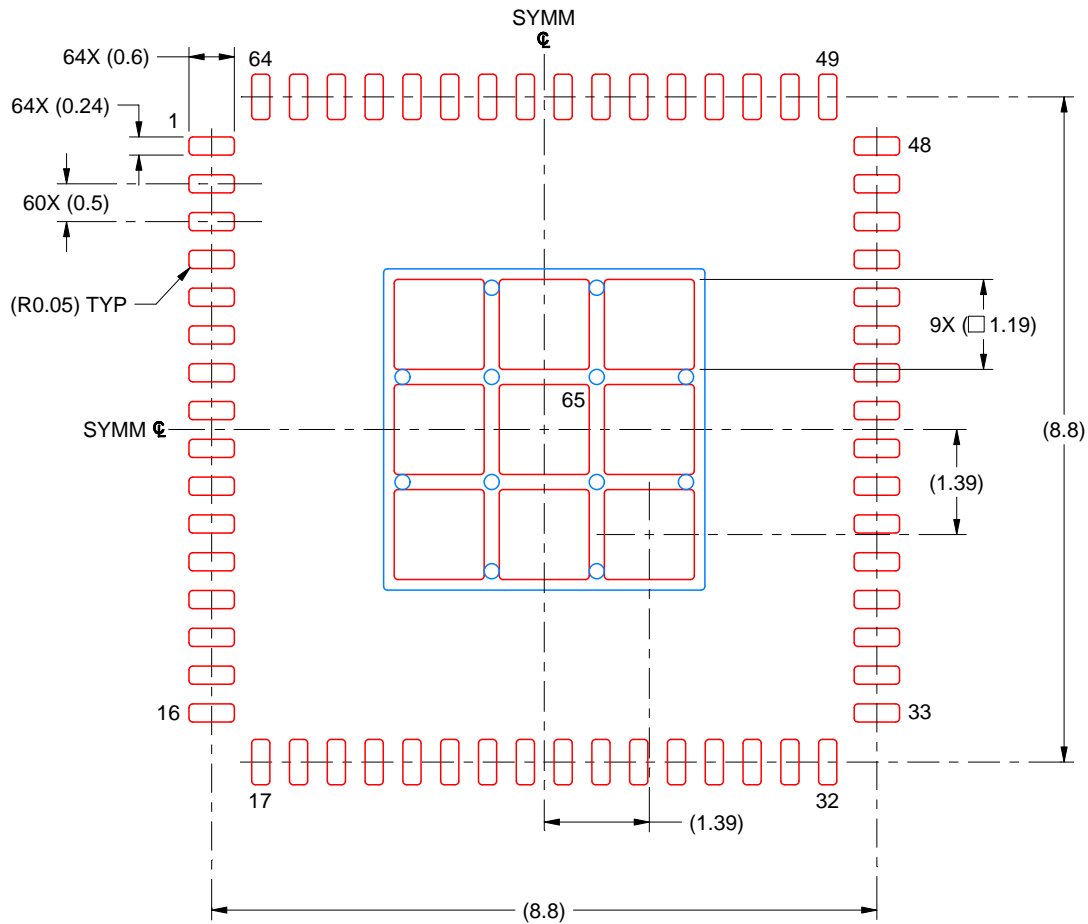
- This package is designed to be soldered to a thermal pad on the board. For more information, see Texas Instruments literature number SLUA271 ([www.ti.com/lit/slua271](http://www.ti.com/lit/slua271)).
- Vias are optional depending on application, refer to device data sheet. If any vias are implemented, refer to their locations shown on this view. It is recommended that vias under paste be filled, plugged or tented.

# EXAMPLE STENCIL DESIGN

RGC0064B

VQFN - 1 mm max height

PLASTIC QUAD FLATPACK - NO LEAD



SOLDER PASTE EXAMPLE  
BASED ON 0.125 MM THICK STENCIL  
SCALE: 10X

EXPOSED PAD 65  
71% PRINTED SOLDER COVERAGE BY AREA UNDER PACKAGE

4219010/A 10/2018

NOTES: (continued)

6. Laser cutting apertures with trapezoidal walls and rounded corners may offer better paste release. IPC-7525 may have alternate design recommendations.

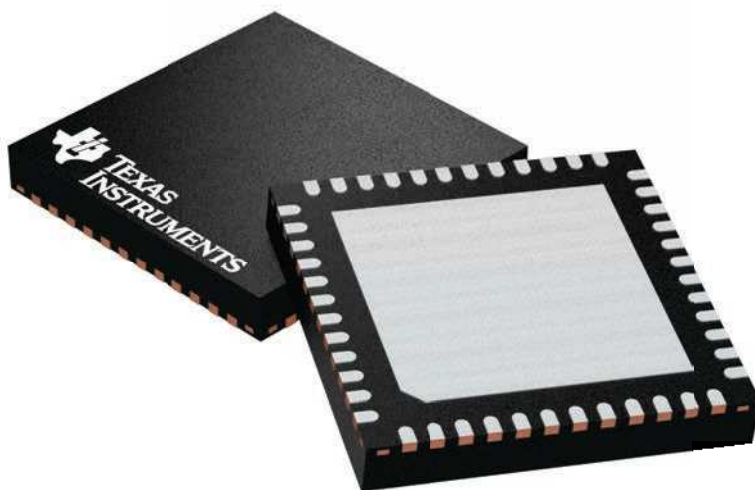
## GENERIC PACKAGE VIEW

**RGZ 48**

**VQFN - 1 mm max height**

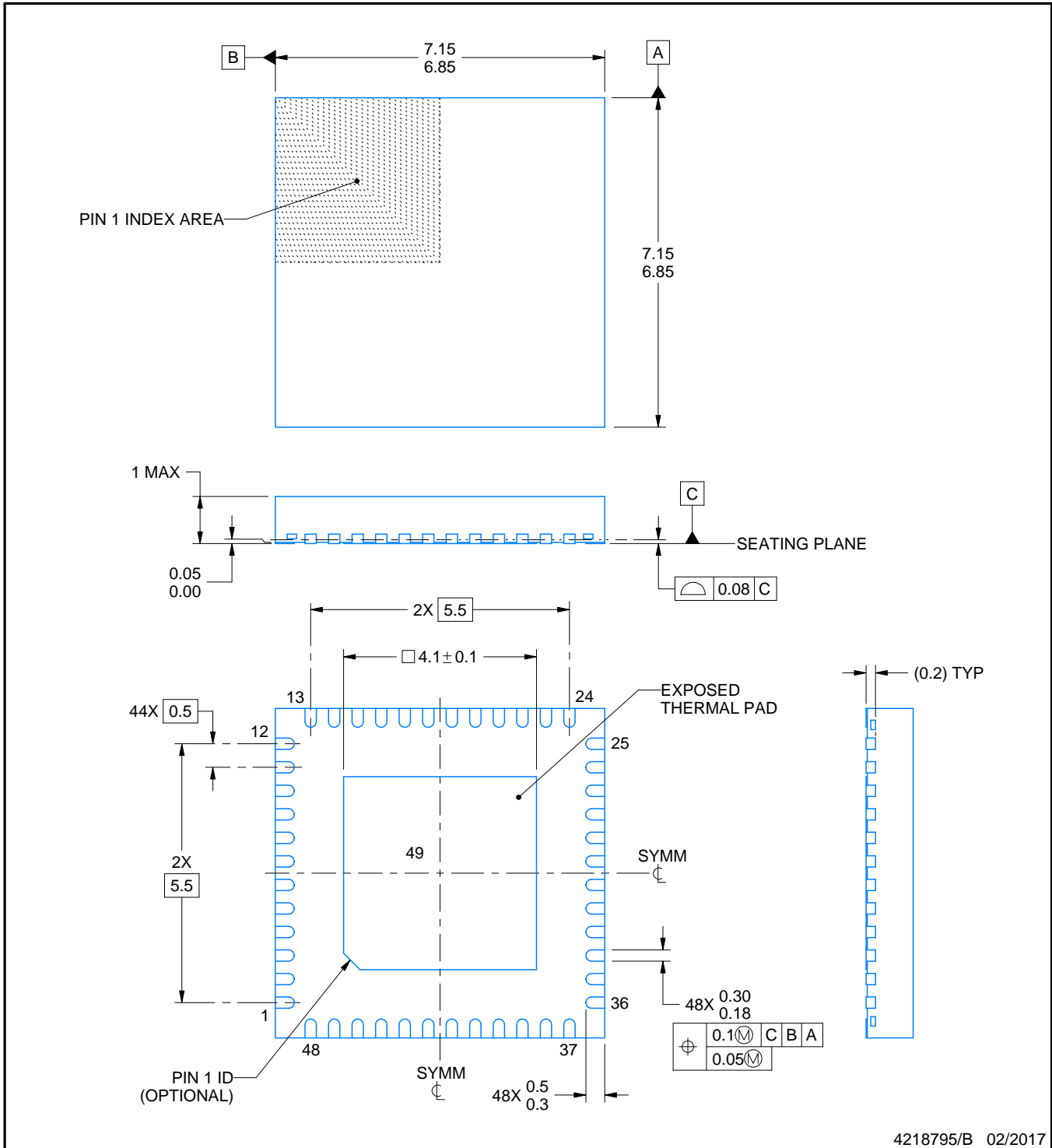
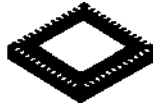
7 x 7, 0.5 mm pitch

PLASTIC QUADFLAT PACK- NO LEAD



Images above are just a representation of the package family, actual package may vary.  
Refer to the product data sheet for package details.

4224671/A



4218795/B 02/2017

NOTES:

1. All linear dimensions are in millimeters. Any dimensions in parenthesis are for reference only. Dimensioning and tolerancing per ASME Y14.5M.
2. This drawing is subject to change without notice.
3. The package thermal pad must be soldered to the printed circuit board for thermal and mechanical performance.

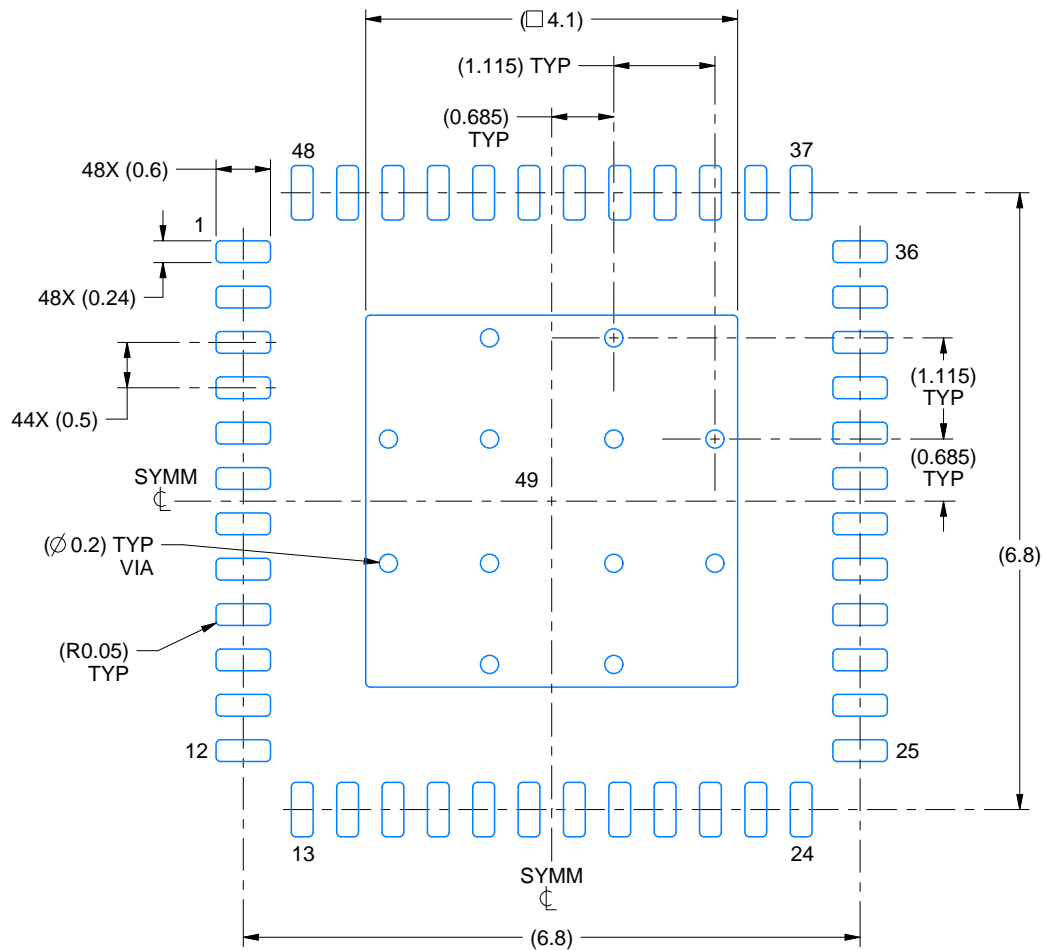


# EXAMPLE BOARD LAYOUT

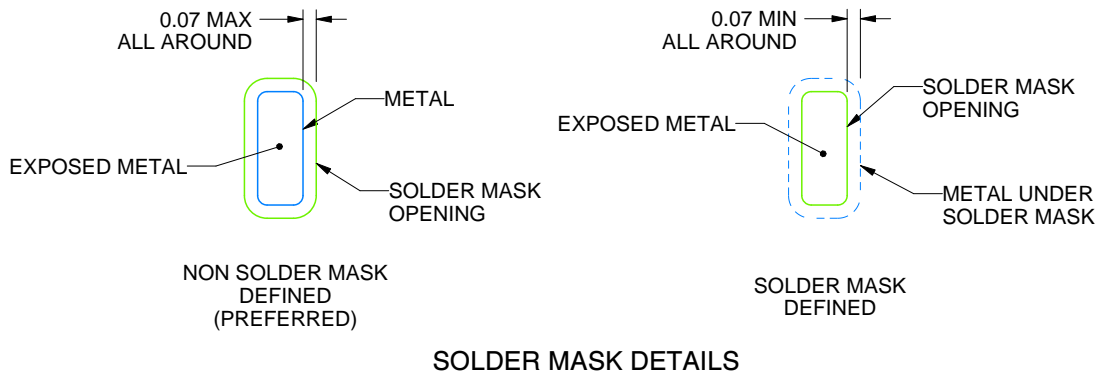
**RGZ0048B**

**VQFN - 1 mm max height**

PLASTIC QUAD FLATPACK - NO LEAD



**LAND PATTERN EXAMPLE**  
EXPOSED METAL SHOWN  
SCALE:12X



**SOLDER MASK DETAILS**

4218795/B 02/2017

NOTES: (continued)

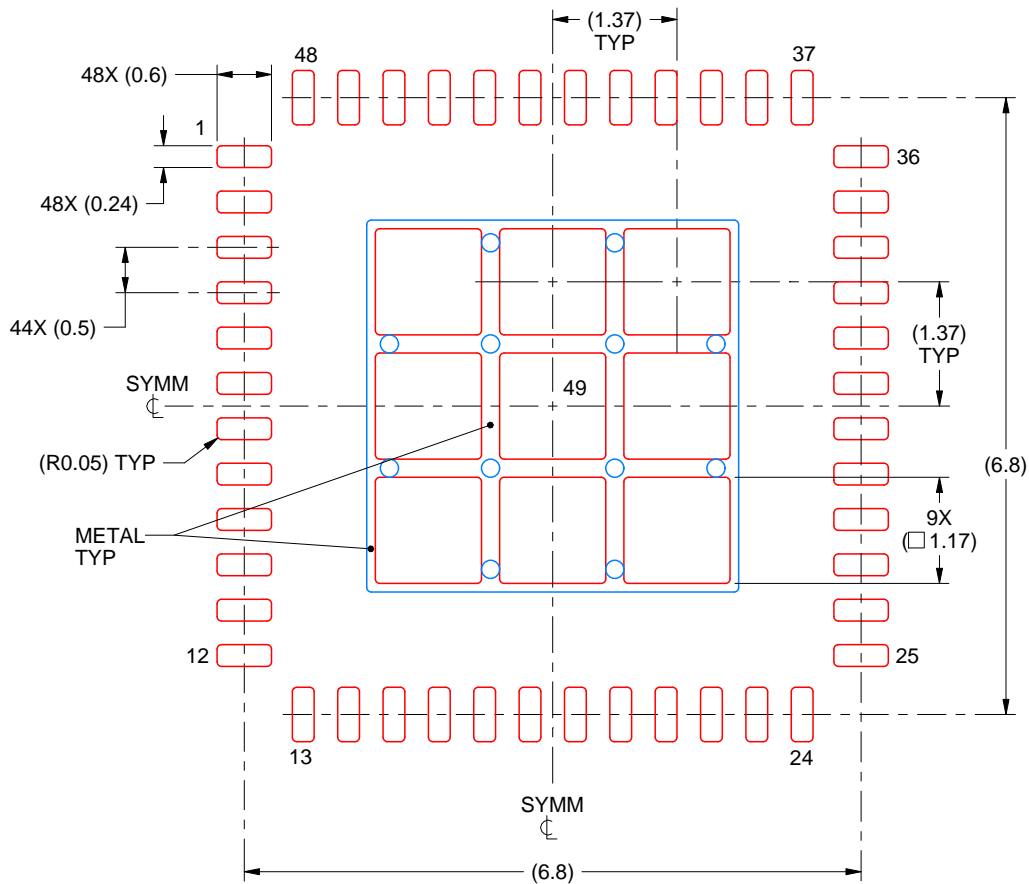
4. This package is designed to be soldered to a thermal pad on the board. For more information, see Texas Instruments literature number SLUA271 ([www.ti.com/lit/sluea271](http://www.ti.com/lit/sluea271)).
5. Vias are optional depending on application, refer to device data sheet. If any vias are implemented, refer to their locations shown on this view. It is recommended that vias under paste be filled, plugged or tented.

# EXAMPLE STENCIL DESIGN

RGZ0048B

VQFN - 1 mm max height

PLASTIC QUAD FLATPACK - NO LEAD



## SOLDER PASTE EXAMPLE BASED ON 0.125 mm THICK STENCIL

EXPOSED PAD 49  
73% PRINTED SOLDER COVERAGE BY AREA UNDER PACKAGE  
SCALE:12X

4218795/B 02/2017

NOTES: (continued)

6. Laser cutting apertures with trapezoidal walls and rounded corners may offer better paste release. IPC-7525 may have alternate design recommendations.

## IMPORTANT NOTICE AND DISCLAIMER

TI PROVIDES TECHNICAL AND RELIABILITY DATA (INCLUDING DATASHEETS), DESIGN RESOURCES (INCLUDING REFERENCE DESIGNS), APPLICATION OR OTHER DESIGN ADVICE, WEB TOOLS, SAFETY INFORMATION, AND OTHER RESOURCES "AS IS" AND WITH ALL FAULTS, AND DISCLAIMS ALL WARRANTIES, EXPRESS AND IMPLIED, INCLUDING WITHOUT LIMITATION ANY IMPLIED WARRANTIES OF MERCHANTABILITY, FITNESS FOR A PARTICULAR PURPOSE OR NON-INFRINGEMENT OF THIRD PARTY INTELLECTUAL PROPERTY RIGHTS.

These resources are intended for skilled developers designing with TI products. You are solely responsible for (1) selecting the appropriate TI products for your application, (2) designing, validating and testing your application, and (3) ensuring your application meets applicable standards, and any other safety, security, or other requirements. These resources are subject to change without notice. TI grants you permission to use these resources only for development of an application that uses the TI products described in the resource. Other reproduction and display of these resources is prohibited. No license is granted to any other TI intellectual property right or to any third party intellectual property right. TI disclaims responsibility for, and you will fully indemnify TI and its representatives against, any claims, damages, costs, losses, and liabilities arising out of your use of these resources.

TI's products are provided subject to TI's Terms of Sale (<https://www.ti.com/legal/termsofsale.html>) or other applicable terms available either on [ti.com](https://www.ti.com) or provided in conjunction with such TI products. TI's provision of these resources does not expand or otherwise alter TI's applicable warranties or warranty disclaimers for TI products.

Mailing Address: Texas Instruments, Post Office Box 655303, Dallas, Texas 75265  
Copyright © 2021, Texas Instruments Incorporated