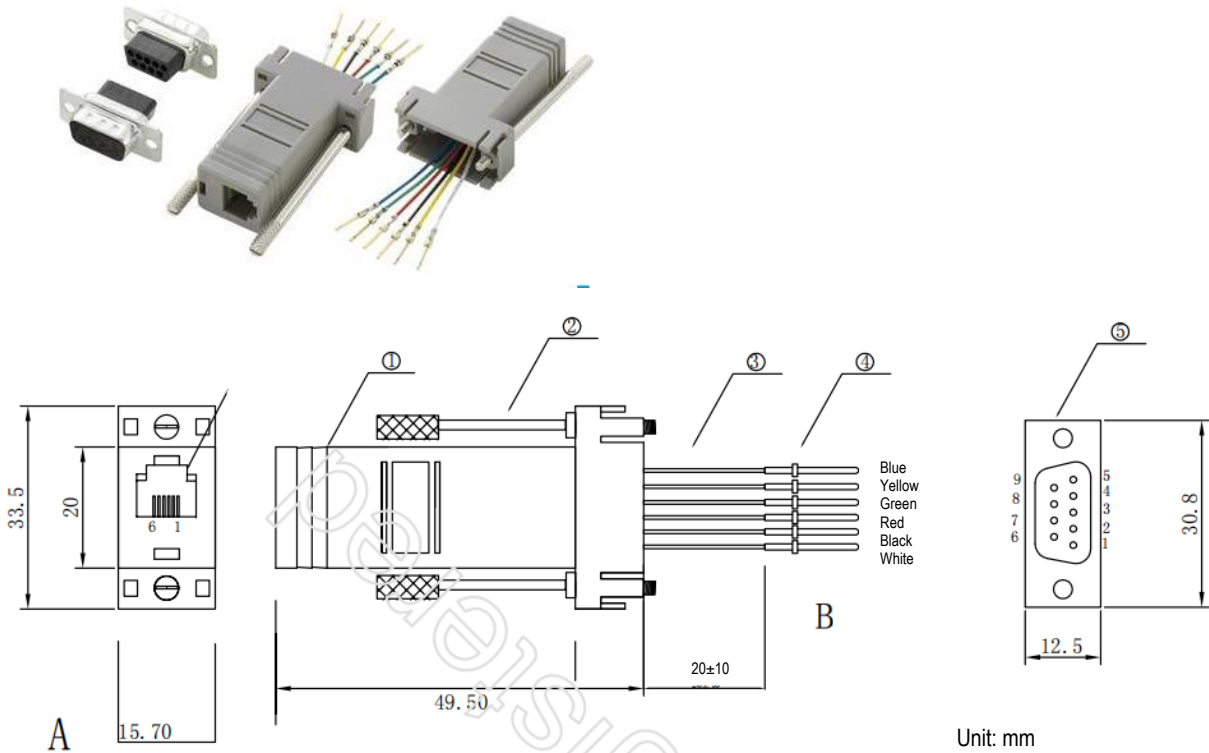


Data Sheet

D-SUB adapter D-SUB-plug 9-pin male to RJ12 socket



Technical data

Number of pins: 9P

Material: ABS

Connector type: Adapter, straight

Contact material: Copper

Operating temperature: -40°C to 80°C