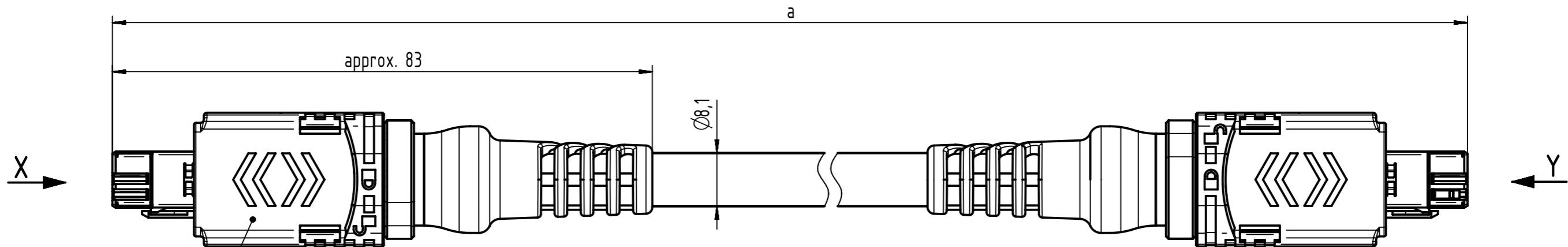


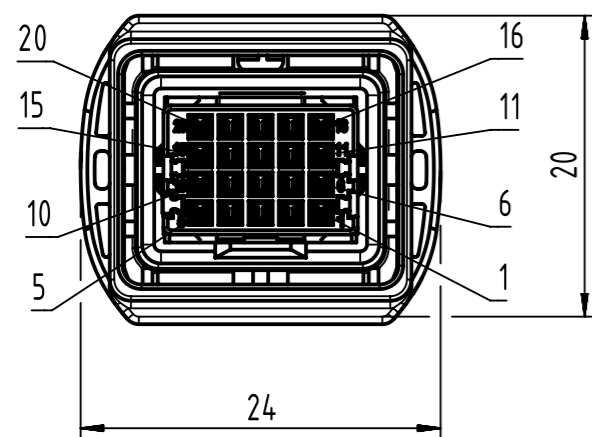
Connector Location A

Connector Location B



HARTING PushPull V4 2.0 Signal, 20-pole, overmolded  
Protection level: IP65/67

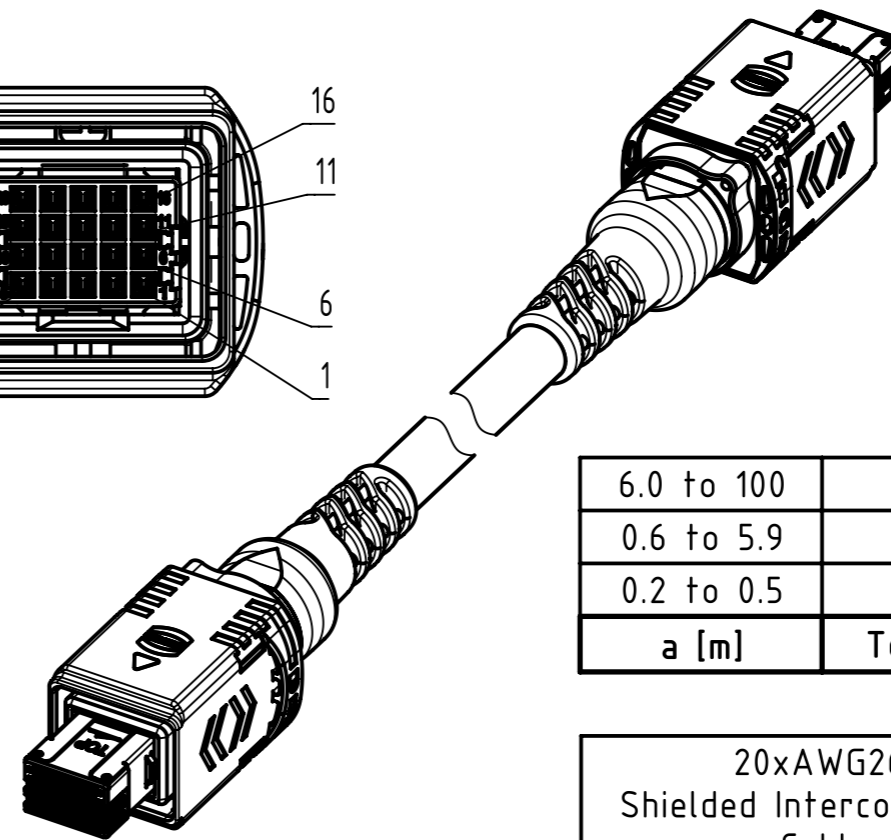
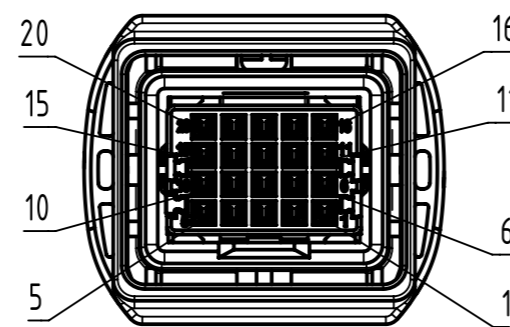
X  
female



Loading-Plan

Shield	
1	grey/brown
2	white/pink
3	brown/pink
4	red
5	black
6	blue
7	red/blue
8	violet
9	pink
10	white
11	pink/grey
12	grey
13	brown/yellow
14	brown
15	white/grey
16	yellow
17	green
18	white/green
19	brown/green
20	white/yellow

Y  
female



6.0 to 100	±1%
0.6 to 5.9	+0.04
0.2 to 0.5	+0.02
a [m]	Tolerance

length in "1m" step	100	XXX=000
	99	XXX=990
	.	.
length in "0.1m" step	12	XXX=120
	11	XXX=110
	10	XXX=100
	9.9	XXX=099
	9.8	XXX=098
	.	.
	.	.
Step	a[m]	XXX

20xAWG26,  
Shielded Interconnection  
Cable

Type of cable

09483535848XXX

Part no.

	All rights reserved		Tech. Character.		Free size tol.		According to production drawing	
	Department HCS - RO		Created by COSTEA	Inspected by COSTEA	Standardisation MUNTEANV	Date 2018-07-26	State Final Release	
HARTING Customised Solutions D-32339 Espelkamp		Title PPV4 2.0 Signal 20p d.e. 20x0.14qmm				Doc-Key / ECM-Nr. 100696925/UGD/006/D 500000137903		
		Type TB	Number 09483535848XXX			Rev. D	Page 1/1	