


Control stations ø 22

Empty enclosures to be equipped with:
 - illuminated or non illuminated heads p. 21-45
 - specific blocks for control stations (base mounted) p. 62
 - frames and legend plates p. 66
 Other control stations to be equipped (form p. 90)

 Characteristics (p. 94)
 Cross reference list (p. 311)

► ENCLOSURES

1 HOLE

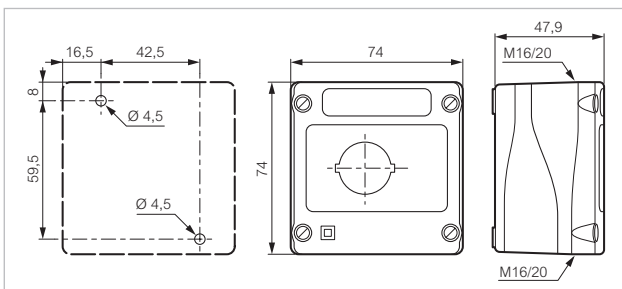
Cat. No.



Black base
 ● Grey cover
 ● Yellow cover

LBX0100
LBX0100J

LBX0100J



2 HOLES

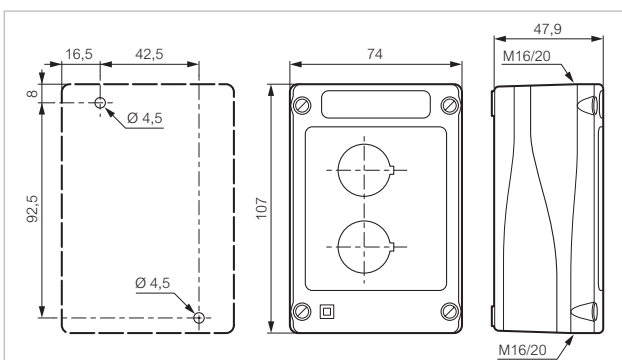
Cat. No.



Black base
 ● Grey cover
 ● Yellow cover

LBX0200
LBX0200J

LBX0200



Catalogue No. in bold: normally in stock at distribution outlets