

TECHNICAL SPECIFICATIONS

Material:	Zinc, Nickel Plated
Operating Temperature:	-40°C to +120°C
Cable Entry:	Side Entry
Thumbscrews:	UNC 4-40 (Standard) M2,5 or M3 on request
Cable O.D.:	Up to 13mm
Accessories:	See page 186-190
Assembly Instruction:	See page 199-201

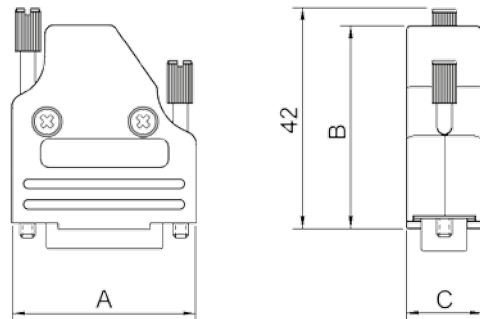


Features:

- Available in sizes 9-15-25-37
- 360° EMI Shielding
- 3 versions of same concept
- Quick assembly
- Supports all types of cables
- Suitable for any common D-Sub connector

Types available:

- MHC35: Crimp Version
- MHDM35: Metalized Grommet Kit + Clamp
- MHEE35: Metalized Cone + Clamp



Size:	Dim A	Dim B	Dim C
9-way	43,0	32,0	15,5
15-way	43,0	40,4	15,5
25-way	48,0	54,0	15,5
37-way	53,0	70,5	15,5

Ordering information:

Size:	P/N - Kitted:	Product Code:
9-way	6560-0138-11	MHC35-9-K
15-way	6560-0138-12	MHC35-15-K
25-way	6560-0138-13	MHC35-25-K
37-way	6560-0138-14	MHC35-37-K

Size:	P/N - Kitted:	Product Code:
9-way	6560-0139-11	MHDM35-9-K
15-way	6560-0139-12	MHDM35-15-K
25-way	6560-0139-13	MHDM35-25-K
37-way	6560-0139-14	MHDM35-37-K

Size:	P/N - Kitted:	Product Code:
9-way	6560-0140-11	MHEE35-9-K
15-way	6560-0140-12	MHEE35-15-K
25-way	6560-0140-13	MHEE35-25-K
37-way	6560-0140-14	MHEE35-37-K

MHC35-Series



Size:	P/N:	Product Code:
5,3mm	6522-0119-11	MHC-5,3
6,0mm	6522-0119-12	MHC-6,0
7,0mm	6522-0119-13	MHC-7,0
7,5mm	6522-0119-14	MHC-7,5
8,6mm	6522-0119-15	MHC-8,6

MHDM35-Series



Included when ordering

MHEE35-Series



Included when ordering