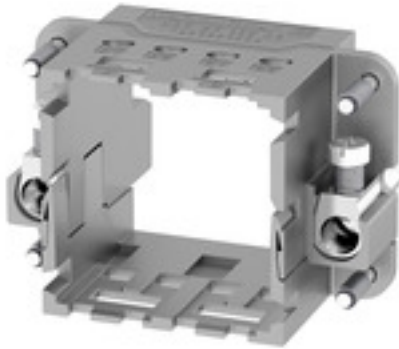


**ModuPlug
HDC MF 6B BA**

Weidmüller Interface GmbH & Co. KG
Klingenbergstraße 26
D-32758 Detmold
Germany
Fon: +49 5231 14-0
Fax: +49 5231 14-292083
www.weidmueller.com

**Simple**

The innovative sliding frame has two defined lock-in positions for opening and closing. This enables simple and tool-free module assembly.

General ordering data

| | |
|------------|----------------------------|
| Type | HDC MF 6B BA |
| Order No. | 1428940000 |
| Version | Frame |
| GTIN (EAN) | 4050118233353 |
| Qty. | 1 pc(s). |

Data sheet

**ModuPlug
HDC MF 6B BA**

Weidmüller Interface GmbH & Co. KG
 Klingenbergstraße 26
 D-32758 Detmold
 Germany
 Fon: +49 5231 14-0
 Fax: +49 5231 14-292083
 www.weidmueller.com

Technical data

Dimensions and weights

| | | | |
|------------|----------|-----------------|------------|
| Width | 51 mm | Width (inches) | 2.008 inch |
| Height | 36.4 mm | Height (inches) | 1.433 inch |
| Depth | 37.35 mm | Depth (inches) | 1.47 inch |
| Net weight | 63.441 g | | |

Temperatures

| | |
|-------------------|-------------------|
| Limit temperature | -40 °C ... 125 °C |
|-------------------|-------------------|

General data

| | | | |
|-----------------|--------------|-----------------|----------|
| Material | Diecast zinc | Number of slots | 2 |
| Plugging cycles | ≥ 500 | Series | ModuPlug |
| Size | 3 | | |

PE connection data

| | | | |
|-------------------------------|--------------------|---------------------------------------|---------------------|
| Conductor cross-section, max. | 10 mm ² | Conductor cross-section, min. | 0.5 mm ² |
| Connection type PE | Screw connection | Tightening torque, max. PE connection | 1.2 Nm |

Classifications

| | | | |
|-------------|-------------|------------|-------------|
| ETIM 6.0 | EC002312 | ETIM 7.0 | EC002312 |
| eClass 9.0 | 27-44-02-06 | eClass 9.1 | 27-44-02-06 |
| eClass 10.0 | 27-44-02-06 | | |

Approvals

Approvals



ROHS Conform

Downloads

| | |
|--------------------|---|
| Brochure/Catalogue | CAT 3 HDC 17/18 EN FL FIELDWIRING EN |
| Engineering Data | EPLAN |
| Engineering Data | STEP |

Data sheet

**ModuPlug
HDC MF 6B BA**

Weidmüller Interface GmbH & Co. KG
Klingenbergstraße 26
D-32758 Detmold
Germany
Fon: +49 5231 14-0
Fax: +49 5231 14-292083
www.weidmueller.com

Drawings

