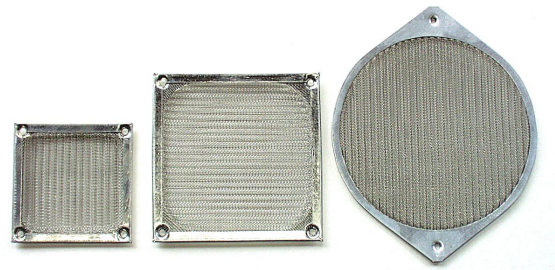


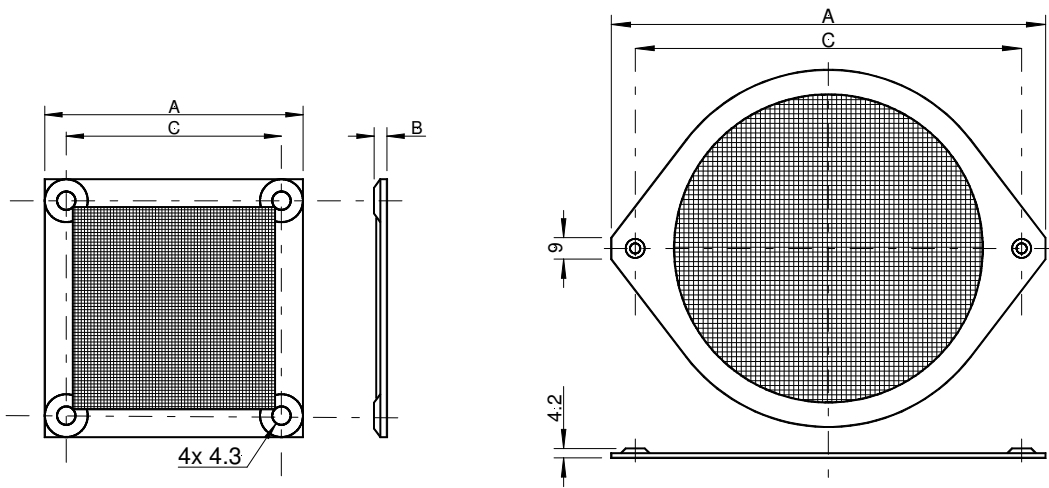
**FMxxx**

**EMC METAL FILTER, IP40**



**PERFORMANCE**

- IP40 metal filter for standard axial fans sizes 40x40 to 172x150mm und Ø150mm
- Protection against moving parts (>1mm) plus EMC shielding
- Very low pressure loss due to the fine-meshed grid made from thin wires
- Material: Frame, Aluminum; grid, stainless steel



Typ	Fan size [mm]	Dimension [mm]	Standard packing quantity [Pcs.]	Art. No.
FM40	40x40	42x4.0x32.0	100	934010400
FM60	60x60	60x4.0x50.0	100	936010400
FM80	80x80	84x3.5x71.5	100	938010400
FM92	92x92	92x4.0x82.5	100	939210400
FM120	120x120	119x3.5x104.8	100	931210400
FM150	Ø150, 150/172	182x4.2x162	50	931510400

Technical changes without notice • 06/15