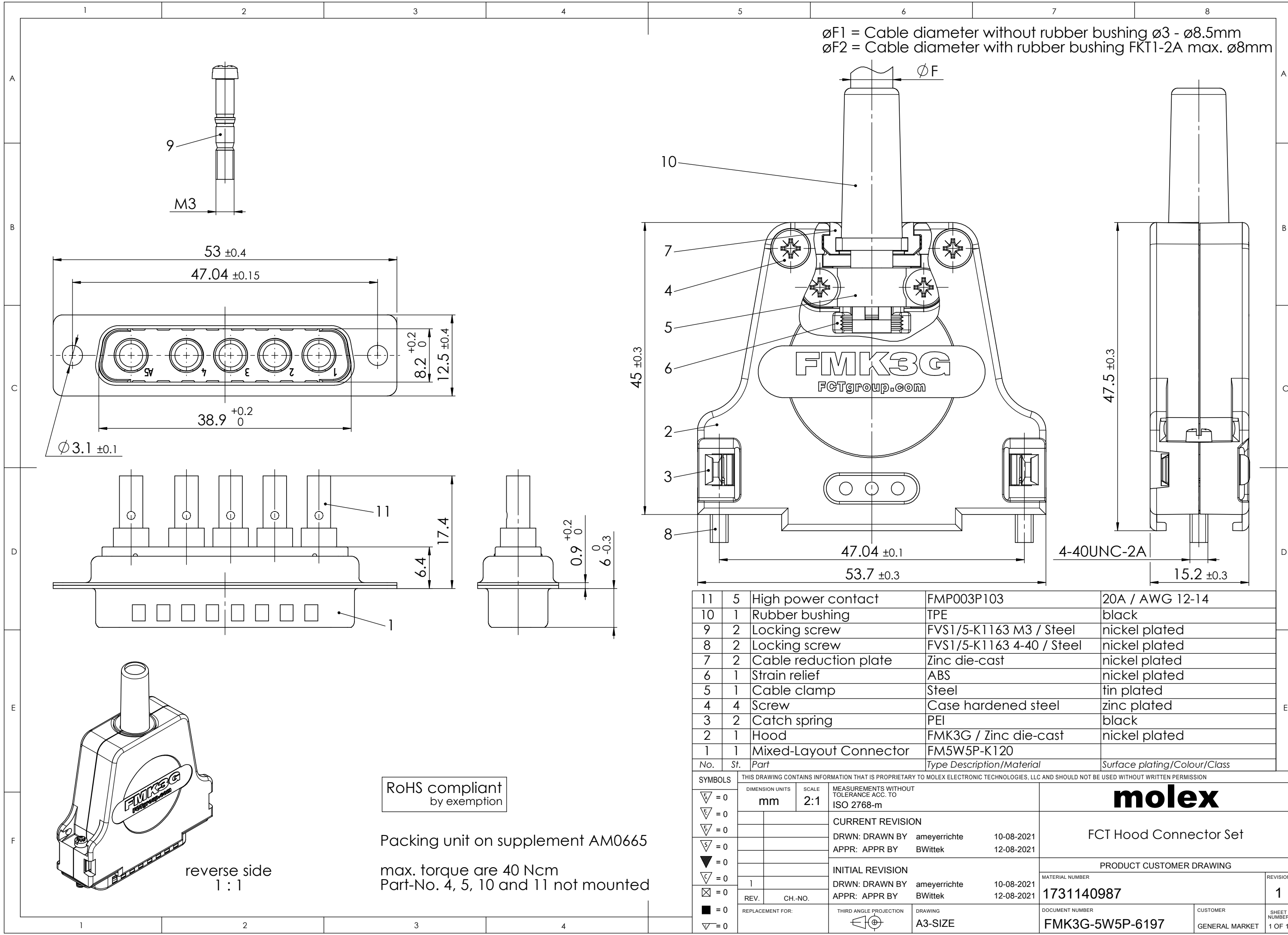


COMMENT: ALL RIGHTS ARE RESERVED BY US FOR THIS DRAWING. WITHOUT OUR PRIOR CONSENT, IT MAY NEITHER BE DUPLICATED NOR MADE AVAILABLE TO A THIRD PARTY, AND IT ALSO MAY NOT BE IMPROPERLY USED BY THE RECEIVER, OR A THIRD PARTY.

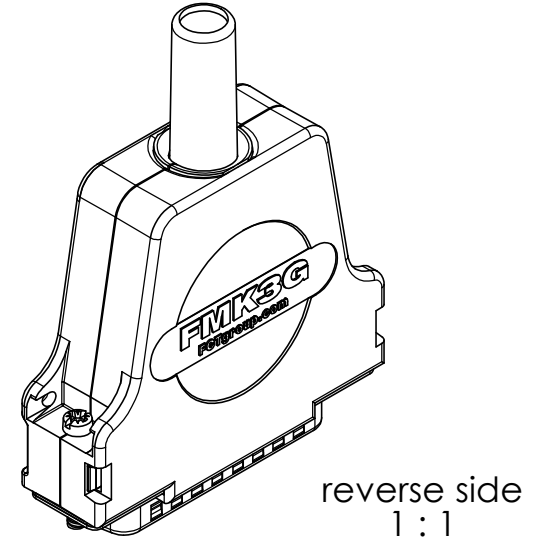


øF1 = Cable diameter without rubber bushing ø3 - ø8.5mm
 øF2 = Cable diameter with rubber bushing FKT1-2A max. ø8mm

No.	St.	Part	Type Description / Material	Surface plating / Colour / Class
11	5	High power contact	FMP003P103	20A / AWG 12-14
10	1	Rubber bushing	TPE	black
9	2	Locking screw	FVS1/5-K1163 M3 / Steel	nickel plated
8	2	Locking screw	FVS1/5-K1163 4-40 / Steel	nickel plated
7	2	Cable reduction plate	Zinc die-cast	nickel plated
6	1	Strain relief	ABS	nickel plated
5	1	Cable clamp	Steel	tin plated
4	4	Screw	Case hardened steel	zinc plated
3	2	Catch spring	PEI	black
2	1	Hood	FMK3G / Zinc die-cast	nickel plated
1	1	Mixed-Layout Connector	FM5W5P-K120	

RoHS compliant
by exemption

Packing unit on supplement AM0665
 max. torque are 40 Ncm
 Part-No. 4, 5, 10 and 11 not mounted



SYMBOLS					THIS DRAWING CONTAINS INFORMATION THAT IS PROPRIETARY TO MOLEX ELECTRONIC TECHNOLOGIES, LLC AND SHOULD NOT BE USED WITHOUT WRITTEN PERMISSION				
▽ = 0					DIMENSION UNITS	SCALE	MEASUREMENTS WITHOUT TOLERANCE ACC. TO ISO 2768-m		
▽ = 0					mm	2:1			
▽ = 0							CURRENT REVISION		
▽ = 0							DRWN: DRAWN BY	ameyerrichte	10-08-2021
▽ = 0							APPR: APPR BY	BWittek	12-08-2021
▽ = 0							INITIAL REVISION		
▽ = 0							DRWN: DRAWN BY	ameyerrichte	10-08-2021
▽ = 0							APPR: APPR BY	BWittek	12-08-2021
▽ = 0					1	REV.	CH.-NO.		
▽ = 0									
▽ = 0						REPLACEMENT FOR:	THIRD ANGLE PROJECTION	DRAWING	
▽ = 0								A3-SIZE	
								DOCUMENT NUMBER	FMK3G-5W5P-6197
								CUSTOMER	GENERAL MARKET
								REVISION	1
								SHEET NUMBER	1 OF 1

molex

FCT Hood Connector Set

PRODUCT CUSTOMER DRAWING

MATERIAL NUMBER
1731140987

REVISION
1

DOCUMENT NUMBER
FMK3G-5W5P-6197

CUSTOMER
GENERAL MARKET

SHEET NUMBER
1 OF 1