

# Meets the requirements of the energy sector

Tufvassons has a wide range of transformers and over fifty years' experience of making them ourselves. We offer transformers for environments that set high requirements on insulation and safety, the energy sector for example. We help you to make the correct choice, and if you need a product that is not available, we ensure it is made.



## Ideal for low voltage installations

The transformer is used when there are greater demands on insulation and safety than normal. It is suitable for voltage feed in SELV and PELV installations such as monitoring systems, temperature control, lighting and alarms. It goes without saying that the transformer also has short circuit and overload protection, and also complies with the insurance companies' requirement for self-extinguishing plastic in the housing.

<b>Type:</b>	<b>PSS 10</b>	<b>E no. 52 021 60</b>
<b>Part. no.:</b>	<b>6024-0251</b>	
<b>Input voltage:</b>	230V, 50-60 Hz; (N - L)	
<b>Output voltage:</b>	24V	
<b>Rated power:</b>	10 VA (0,4A)	
<b>P0</b>	<1,5W	
<b>Weight:</b>	0,3 kg	
<b>Encapsulation class:</b>	IP40	
<b>Insulation class:</b>	4.2 kV	
<b>Ambient temperature:</b>	max 40 °C	
<b>Design:</b>	<ul style="list-style-type: none"> <li>- Transformer in grey encapsulation made from impact resistant, self extinguishing thermoplastics.</li> <li>- Double insulated (earth connection not required).</li> <li>- Protected against overload and short circuit on secondary with PTC.</li> <li>- To reset the protecting device disconnect the mains for 10 seconds.</li> <li>- Primary entry knock outs 8/12mm, 2-pole 4 mm<sup>2</sup> terminal.</li> <li>- Secondary entry knock outs 8/12mm, 2-pole 4 mm<sup>2</sup> terminal.</li> <li>- Max torque for the terminal block is 0.25 Nm.</li> </ul>	
<b>Mounting:</b>	Fast mounting on DIN-rail or wall mounting with 2 screws.	
<b>Manufacturing standard:</b>	Security	EN 61558-1; EN 61558-2-6
	Emissions:	EN 61 000-6-3; EN 61 000-6-4, IEC 62041
	Immunity:	EN 61 000-6-1; EN 61 000-6-2, IEC 62041
<b>Other information:</b>	If required for the installation in question, the transformer must be connected by an all-pole switch in permanent installations.	

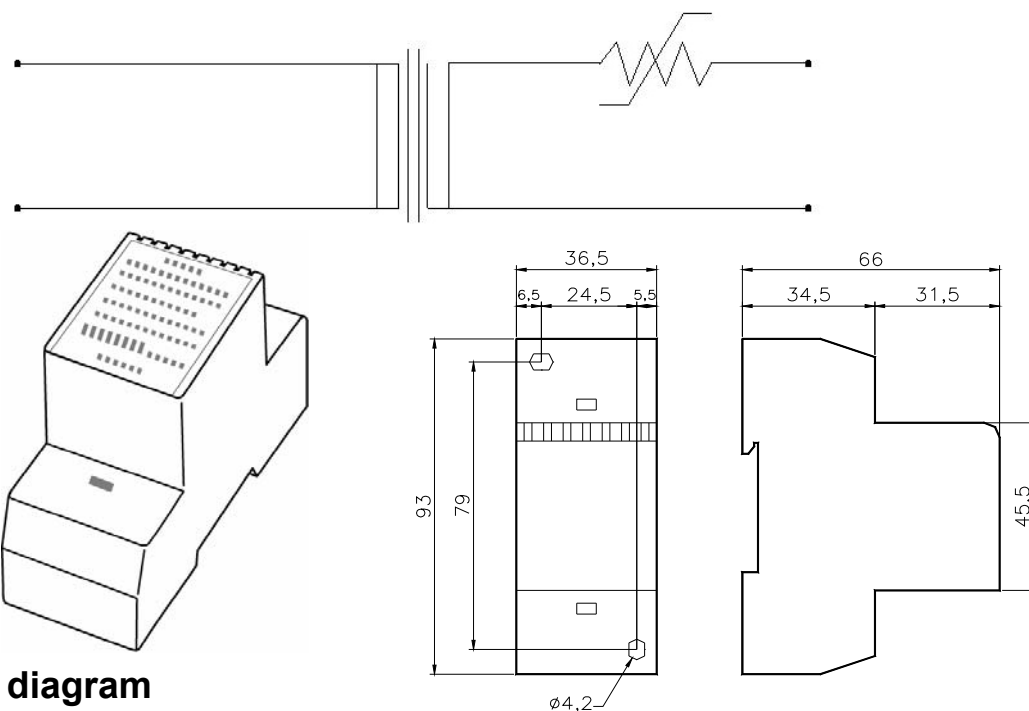


03/19

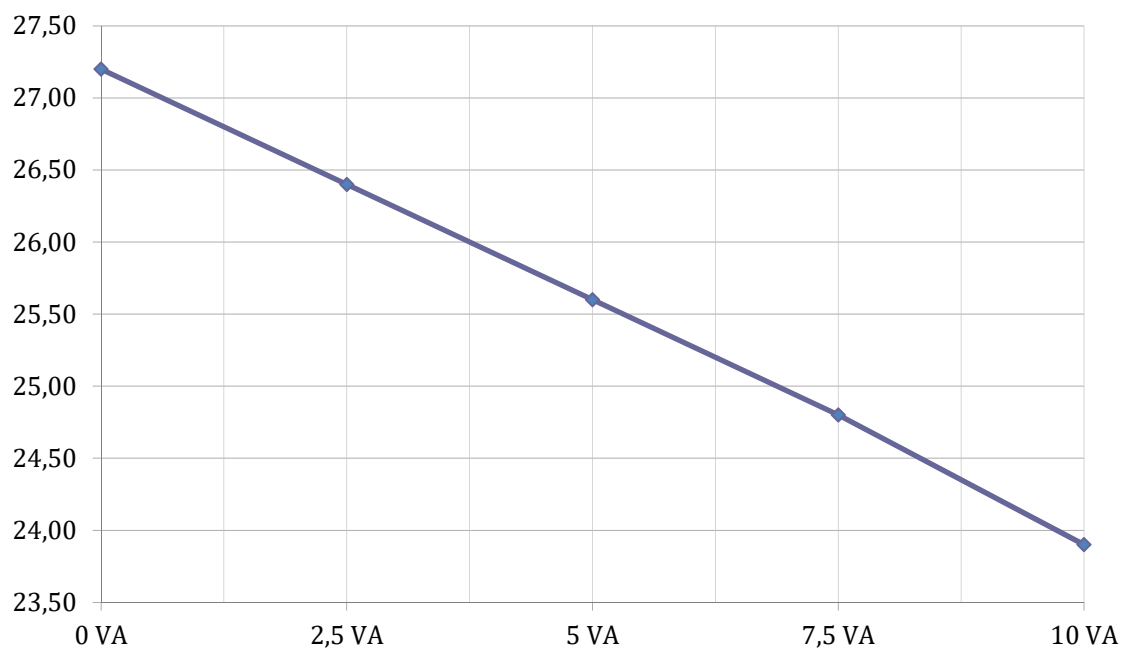
Tufvassons AB · Märstavägen 20 · 193 40 Sigtuna · Tel 08-594 809 00 · Fax 08-592 52 768  
E-post [order@tufvassons.se](mailto:order@tufvassons.se) · [www.tufvassons.se](http://www.tufvassons.se)

A company in the ADDTECH-group

## Wiring diagram and product illustration



## Loading diagram



03/19



Tufvassons AB · Märstavägen 20 · 193 40 Sigtuna · Tel 08-594 809 00 · Fax 08-592 52 768  
 E-post [order@tufvassons.se](mailto:order@tufvassons.se) · [www.tufvassons.se](http://www.tufvassons.se)

A company in the ADDTECH-group