

# GN 126 | Adjustable handles

Zinc alloy lever, steel clamping element



- 1
- 2
- 3
- 4
- 5
- 6
- 7
- 8
- 9
- 10
- 11
- 12
- 13
- 14
- 15
- 16
- 17
- 18

## LEVER BODY

Die cast zinc alloy, epoxy resin coating, black colour RAL 9005 (SW) or grey colour RAL 9006 (SR), matte finish.

## HUB CAP

Polyamide based (PA) technopolymer black or grey colour.

## RETAINING SCREW

AISI 304 stainless steel.

## STANDARD EXECUTIONS

Black-oxide steel clamping element.

AISI 302 stainless steel return spring.

- Threaded hole.

- Threaded screw, length as shown in the table.

## FEATURES AND APPLICATIONS

GN 126 adjustable handles, characterised by their reduced height and elegant design, are particularly suitable for all applications with limited space for manoeuvre.

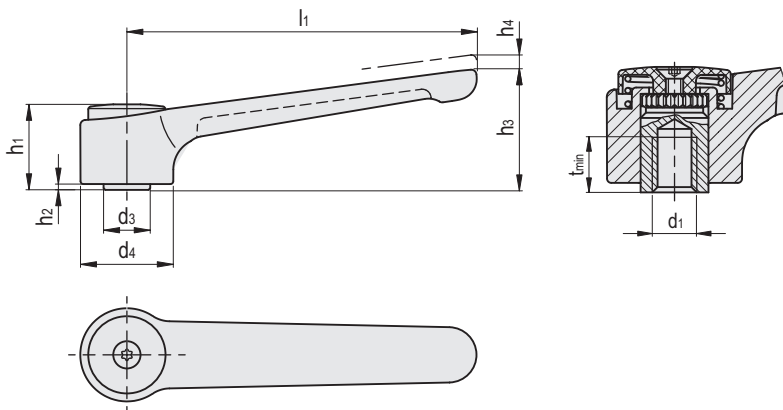
## SPECIAL EXECUTION ON REQUEST

Clamping element with plain hole.

## INSTRUCTIONS OF USE

For clamping, lift the lever to disengage the clamping device teeth and bring it back to start position. By releasing the lever, the return spring automatically engages the teeth.

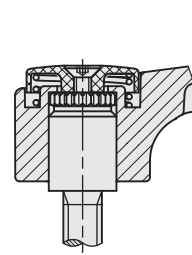
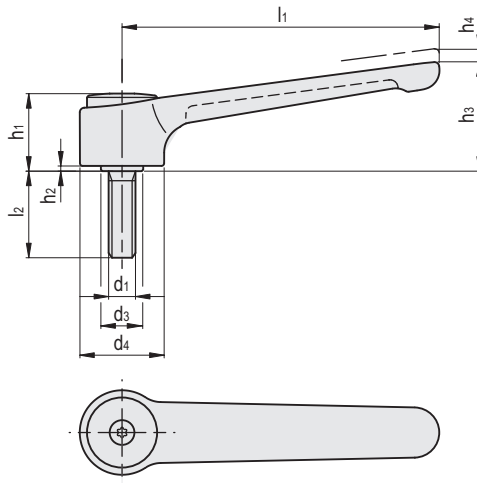
If the lever cannot make a 360° rotation, the clamping element can be easily screwed by means of the hexagon socket front head screw (after having disengaged the lever).



SW  
 RAL9005
  SR  
 RAL9006

Code	Description	Code	Description	l1	d1	d3	d4	h1	h2	h3	h4	tmin	⚖️
GN.40453	GN 126-120-M8-SW	GN.40451	GN 126-120-M8-SR	120	M8	16	32	29.5	2	41.5	2.5	14	186
GN.40503	GN 126-120-M10-SW	GN.40501	GN 126-120-M10-SR	120	M10	16	32	29.5	2	41.5	2.5	14	182
GN.40553	GN 126-120-M12-SW	GN.40551	GN 126-120-M12-SR	120	M12	16	32	29.5	2	41.5	2.5	14	179
GN.40353	GN 126-145-M12-SW	GN.40351	GN 126-145-M12-SR	145	M12	23	40	42	4	56	4	22	313
GN.40393	GN 126-145-M16-SW	GN.40391	GN 126-145-M16-SR	145	M16	23	40	42	4	56	4	22	373

Clamping handles



SW  
 RAL9005

SR  
 RAL9006

Code	Description	Code	Description	l1	d1	d3	d4	h1	h2	h3	h4	l2	⚖
GN.40463	GN 126-120-M8-12-SW	GN.40461	GN 126-120-M8-12-SR	120	M8	16	32	29.5	2	41.5	2.5	12	196
GN.40467	GN 126-120-M8-16-SW	GN.40465	GN 126-120-M8-16-SR	120	M8	16	32	29.5	2	41.5	2.5	16	196
GN.40471	GN 126-120-M8-20-SW	GN.40469	GN 126-120-M8-20-SR	120	M8	16	32	29.5	2	41.5	2.5	20	197
GN.40475	GN 126-120-M8-25-SW	GN.40473	GN 126-120-M8-25-SR	120	M8	16	32	29.5	2	41.5	2.5	25	198
GN.40479	GN 126-120-M8-32-SW	GN.40477	GN 126-120-M8-32-SR	120	M8	16	32	29.5	2	41.5	2.5	32	201
GN.40483	GN 126-120-M8-40-SW	GN.40481	GN 126-120-M8-40-SR	120	M8	16	32	29.5	2	41.5	2.5	40	164
GN.40487	GN 126-120-M8-50-SW	GN.40485	GN 126-120-M8-50-SR	120	M8	16	32	29.5	2	41.5	2.5	50	208
GN.40491	GN 126-120-M8-63-SW	GN.40489	GN 126-120-M8-63-SR	120	M8	16	32	29.5	2	41.5	2.5	63	212
GN.40513	GN 126-120-M10-16-SW	GN.40511	GN 126-120-M10-16-SR	120	M10	16	32	29.5	2	41.5	2.5	16	200
GN.40517	GN 126-120-M10-20-SW	GN.40515	GN 126-120-M10-20-SR	120	M10	16	32	29.5	2	41.5	2.5	20	47
GN.40521	GN 126-120-M10-25-SW	GN.40519	GN 126-120-M10-25-SR	120	M10	16	32	29.5	2	41.5	2.5	25	204
GN.40525	GN 126-120-M10-32-SW	GN.40523	GN 126-120-M10-32-SR	120	M10	16	32	29.5	2	41.5	2.5	32	164
GN.40529	GN 126-120-M10-40-SW	GN.40527	GN 126-120-M10-40-SR	120	M10	16	32	29.5	2	41.5	2.5	40	211
GN.40533	GN 126-120-M10-50-SW	GN.40531	GN 126-120-M10-50-SR	120	M10	16	32	29.5	2	41.5	2.5	50	216
GN.40537	GN 126-120-M10-63-SW	GN.40535	GN 126-120-M10-63-SR	120	M10	16	32	29.5	2	41.5	2.5	63	222
GN.40541	GN 126-120-M10-80-SW	GN.40539	GN 126-120-M10-80-SR	120	M10	16	32	29.5	2	41.5	2.5	80	231
GN.40563	GN 126-120-M12-20-SW	GN.40561	GN 126-120-M12-20-SR	120	M12	16	32	29.5	2	41.5	2.5	20	206
GN.40567	GN 126-120-M12-25-SW	GN.40565	GN 126-120-M12-25-SR	120	M12	16	32	29.5	2	41.5	2.5	25	210
GN.40571	GN 126-120-M12-32-SW	GN.40569	GN 126-120-M12-32-SR	120	M12	16	32	29.5	2	41.5	2.5	32	215
GN.40575	GN 126-120-M12-40-SW	GN.40573	GN 126-120-M12-40-SR	120	M12	16	32	29.5	2	41.5	2.5	40	221
GN.40579	GN 126-120-M12-50-SW	GN.40577	GN 126-120-M12-50-SR	120	M12	16	32	29.5	2	41.5	2.5	50	228
GN.40583	GN 126-120-M12-63-SW	GN.40581	GN 126-120-M12-63-SR	120	M12	16	32	29.5	2	41.5	2.5	63	236
GN.40587	GN 126-120-M12-80-SW	GN.40585	GN 126-120-M12-80-SR	120	M12	16	32	29.5	2	41.5	2.5	80	248
GN.40363	GN 126-145-M12-25-SW	GN.40361	GN 126-145-M12-25-SR	145	M12	23	40	42	4	56	4	25	429
GN.40367	GN 126-145-M12-32-SW	GN.40365	GN 126-145-M12-32-SR	145	M12	23	40	42	4	56	4	32	434
GN.40371	GN 126-145-M12-40-SW	GN.40369	GN 126-145-M12-40-SR	145	M12	23	40	42	4	56	4	40	440
GN.40375	GN 126-145-M12-50-SW	GN.40373	GN 126-145-M12-50-SR	145	M12	23	40	42	4	56	4	50	447
GN.40379	GN 126-145-M12-63-SW	GN.40377	GN 126-145-M12-63-SR	145	M12	23	40	42	4	56	4	63	455
GN.40383	GN 126-145-M12-80-SW	GN.40381	GN 126-145-M12-80-SR	145	M12	23	40	42	4	56	4	80	467
GN.40403	GN 126-145-M16-32-SW	GN.40401	GN 126-145-M16-32-SR	145	M16	23	40	42	4	56	4	32	449
GN.40407	GN 126-145-M16-40-SW	GN.40405	GN 126-145-M16-40-SR	145	M16	23	40	42	4	56	4	40	460
GN.40411	GN 126-145-M16-50-SW	GN.40409	GN 126-145-M16-50-SR	145	M16	23	40	42	4	56	4	50	472
GN.40415	GN 126-145-M16-63-SW	GN.40413	GN 126-145-M16-63-SR	145	M16	23	40	42	4	56	4	63	491
GN.40419	GN 126-145-M16-80-SW	GN.40417	GN 126-145-M16-80-SR	145	M16	23	40	42	4	56	4	80	513



Clamping handles