

- 1
- 2
- 3
- 4
- 5
- 6
- 7
- 8
- 9
- 10
- 11
- 12
- 13
- 14
- 15
- 16
- 17
- 18

MATERIAL

Polyethylene (PE), red colour.

STANDARD EXECUTIONS

- **TX.**: without packing ring.
- **TX-G**: with NBR synthetic rubber flat packing ring.

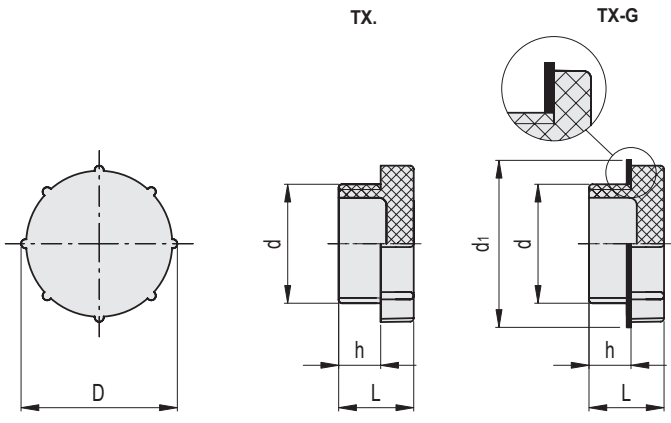
MAXIMUM CONTINUOUS WORKING TEMPERATURE

60°C.

FEATURES AND APPLICATIONS

The product is used in pneumatic and hydraulic systems to protect against dust and humidity.

The TX-G is particularly suitable for applications on components that require painting, as the protruding flat gasket allows greater coverage of the counterbore hole, minimising losses.



TX.		TX-G		d	h	D	L	dt	⚖️
Code	Description	Code	Description						
437101	TX.8x1	437201	TX.8x1-G	M8x1	9.5	12.5	14.5	13	1.1
437103	TX.10x1	437203	TX.10x1-G	M10x1	10.5	15.5	14.5	16	0.9
437105	TX.12x1	437205	TX.12x1-G	M12x1	11	18.5	17	18.5	2.1
437107	TX.12x1.5	437207	TX.12x1.5-G	M12x1.5	9	16.5	16.5	18.5	1.8
437109	TX.14x1.5	437209	TX.14x1.5-G	M14x1.5	9.5	18.5	17	22	2.5
437111	TX.16x1.5	437211	TX.16x1.5-G	M16x1.5	9.5	22	17	23	2
437113	TX.18x1.5	437213	TX.18x1.5-G	M18x1.5	12.5	24.4	18.5	24	2.3
437115	TX.20x1.5	437215	TX.20x1.5-G	M20x1.5	14	26.5	18	26	2.6
437117	TX.20x2.5	437217	TX.20x2.5-G	M20x2.5	14	26.5	18	26	2.4
437119	TX.22x1.5	437219	TX.22x1.5-G	M22x1.5	14	28	18.5	29	3
437121	TX.24x1.5	437221	TX.24x1.5-G	M24x1.5	14	31.5	18.5	30	4
437123	TX.25x1.5	437223	TX.25x1.5-G	M25x1.5	14	31.5	18.5	30	3.4
437125	TX.26x1.5	437225	TX.26x1.5-G	M26x1.5	14	33	19	32.5	4
437151	TX.1/8	437251	TX.1/8-G	G 1/8	4	19	13	16	1.1
437153	TX.1/4	437253	TX.1/4-G	G 1/4	6.5	19	13	19	1.2
437155	TX.3/8	437255	TX.3/8-G	G 3/8	5.5	23	12	22.5	2
437157	TX.1/2	437257	TX.1/2-G	G 1/2	10.5	28	17.5	28	3.4
437159	TX.5/8	437259	TX.5/8-G	G 5/8	14	31.5	18.5	30	3.7
437161	TX.3/4	437261	TX.3/4-G	G 3/4	11	32.5	17	31	3.8
437163	TX.7/8	437263	TX.7/8-G	G 7/8	13.5	38	18	37	5
437165	TX.1	437265	TX.1-G	G 1	11	40	17	40	5.5
437167	TX.1-1/4	437267	TX.1-1/4-G	G1 1/4	15	50	21	50	9.5
437169	TX.1-1/2	437269	TX.1-1/2-G	G1 1/2	11	55	17	54	10
437171	TX.2	437271	TX.2-G	G 2	11	74	17.5	74	18
437173	TX.3	437273	TX.3-G	G 3	11.5	105	16.5	103	30

Accessories for hydraulic systems