

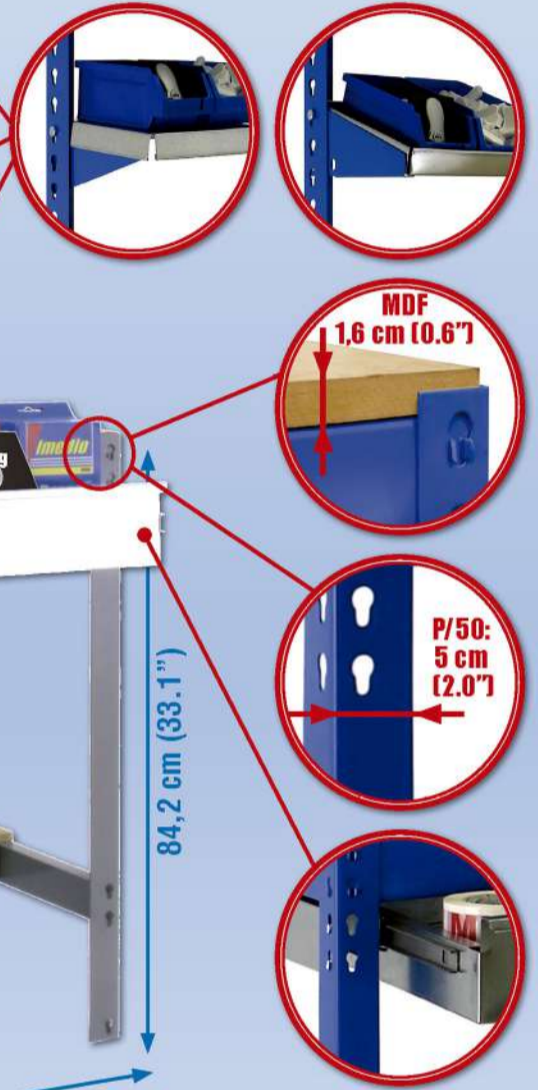
SIMONWORK BT1 BOX 1500



144,5 x 151 x 76 cm
56.9" x 59.4" x 29.9"



5 Años Garantía
 Years Guarantee
 Jahre Garantie
 Ans de Garantia
SIMONRACK



- | | | | | | |
|--|---------------------------------------|--|------------------------------|-------------------------------|---|
| 2 x
144 cm
56.7" | 2 x
84 cm
33.1" | 1 x 75x150 cm
29.5"x59.1"
1 x 40x150 cm
15.7"x59.1" | 4 x
75 cm
29.5" | 3 x
150 cm
59.1" | 6 x
9,5x19 cm
3.7"x7.5" |
| 1 x
150 cm
59.1"
1 x 75 cm
29.5" | 3 x
150x20 cm
59.1"x7.9" | 6 x | 2 x
75 cm
29.5" | 2 x
58 cm
22.8" | 1 x 35 kg
(80 lb)
56x137 cm
22.0"x53.9" |



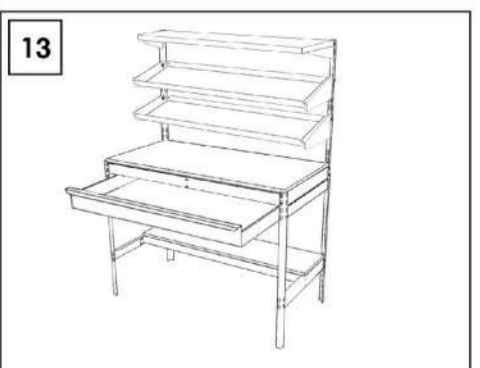
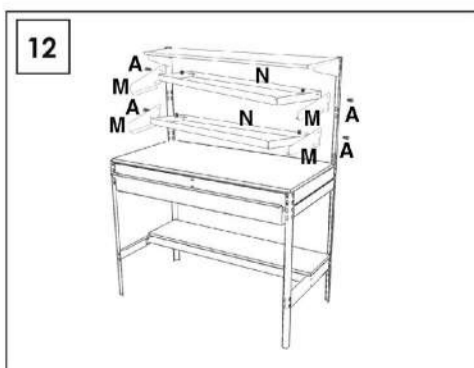
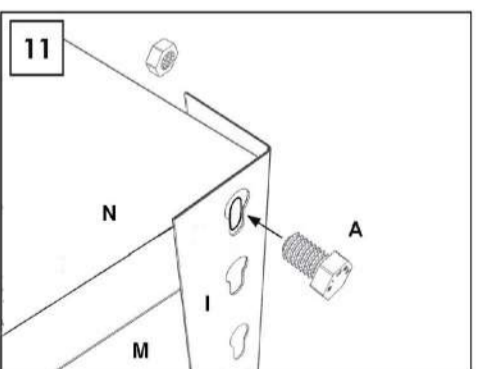
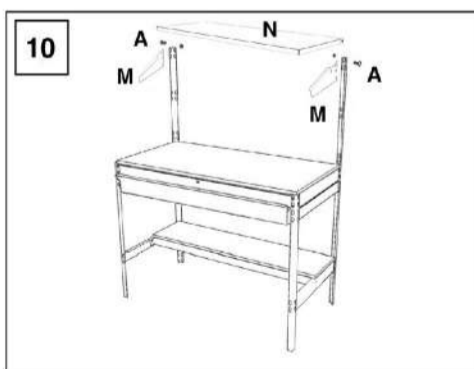
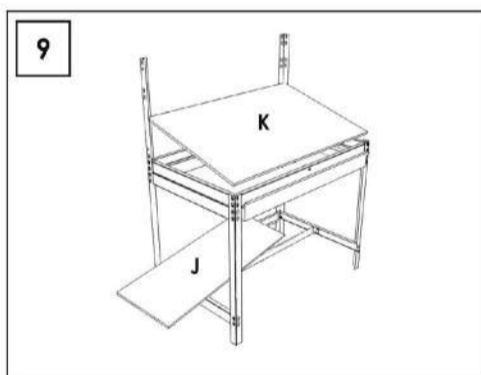
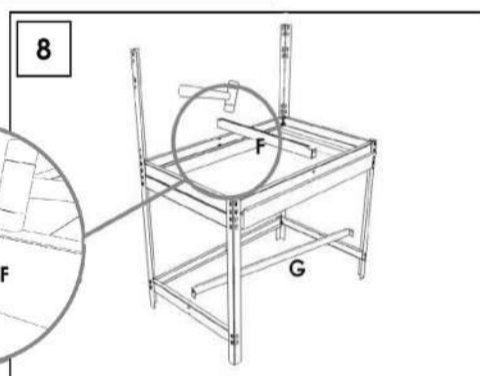
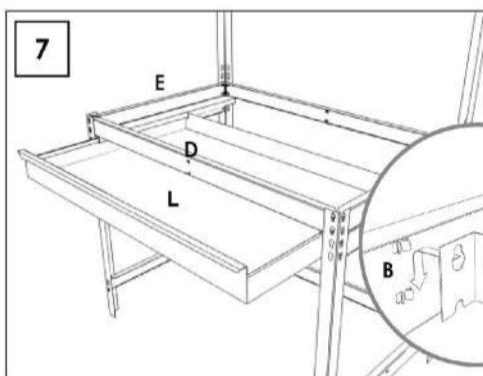
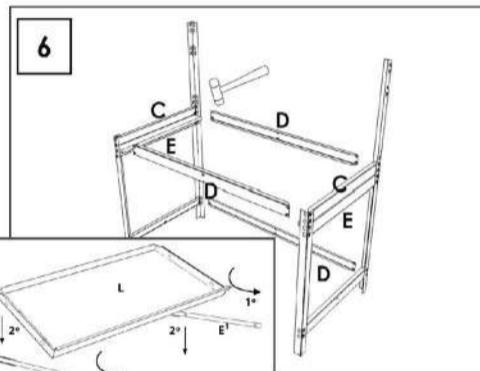
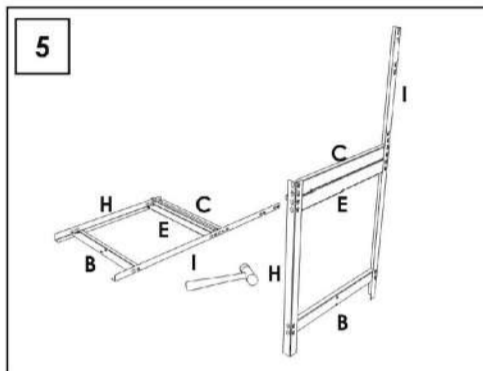
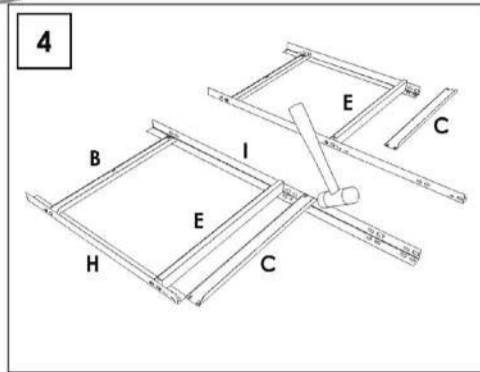
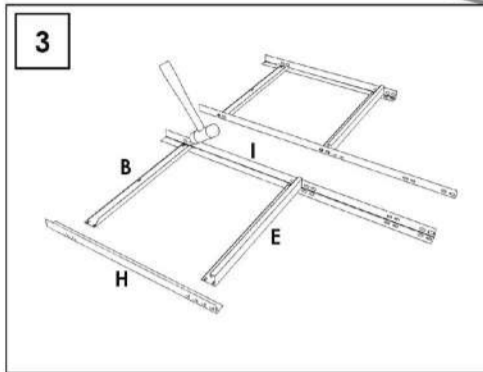
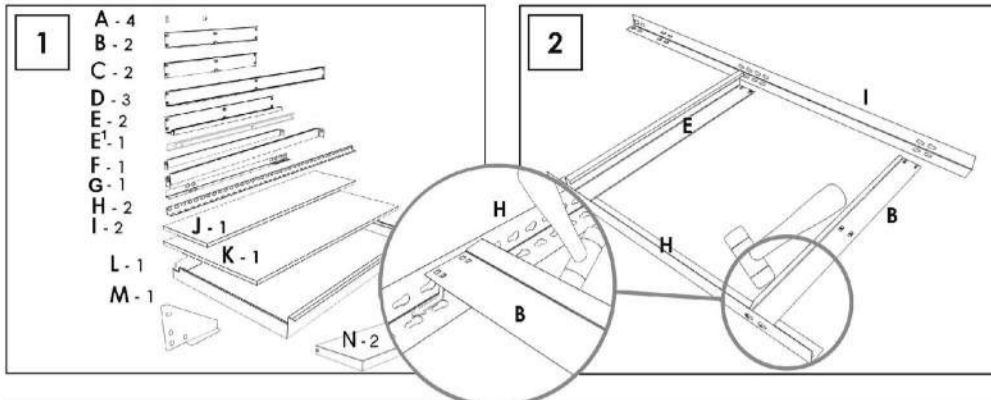
ESTANTERIAS SIMON S.L. B.50.556.463
 PG. ALFAMEN C/ POLIGONO C. Nº3
 ALFAMEN (ZARAGOZA)



www.simonrack.com



INSTRUCCIONES
 INSTRUCTIONS
 ANLEITUNG
 INSTRUCTIONS


SIMONCLASSIC

SIMONCLICK

SIMONTALLER

SIMONAUTO

SIMONWORK

SIMONLOCKER

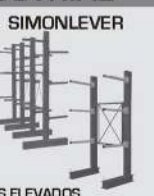
SIMONOFFICE

SIMONHOME

SIMONGARDEN

SIMONTITÁN

SIMONINOX

SIMONINDUSTRIAL


* Kg / lb per bandeja con carga uniformemente repartida
 Kg / lb per shelf uniformly distributed load
 Kg / lb pro fach bei gleichmäßig verteilter Last
 Kg / lb par plateau avec charge uniformément répartie