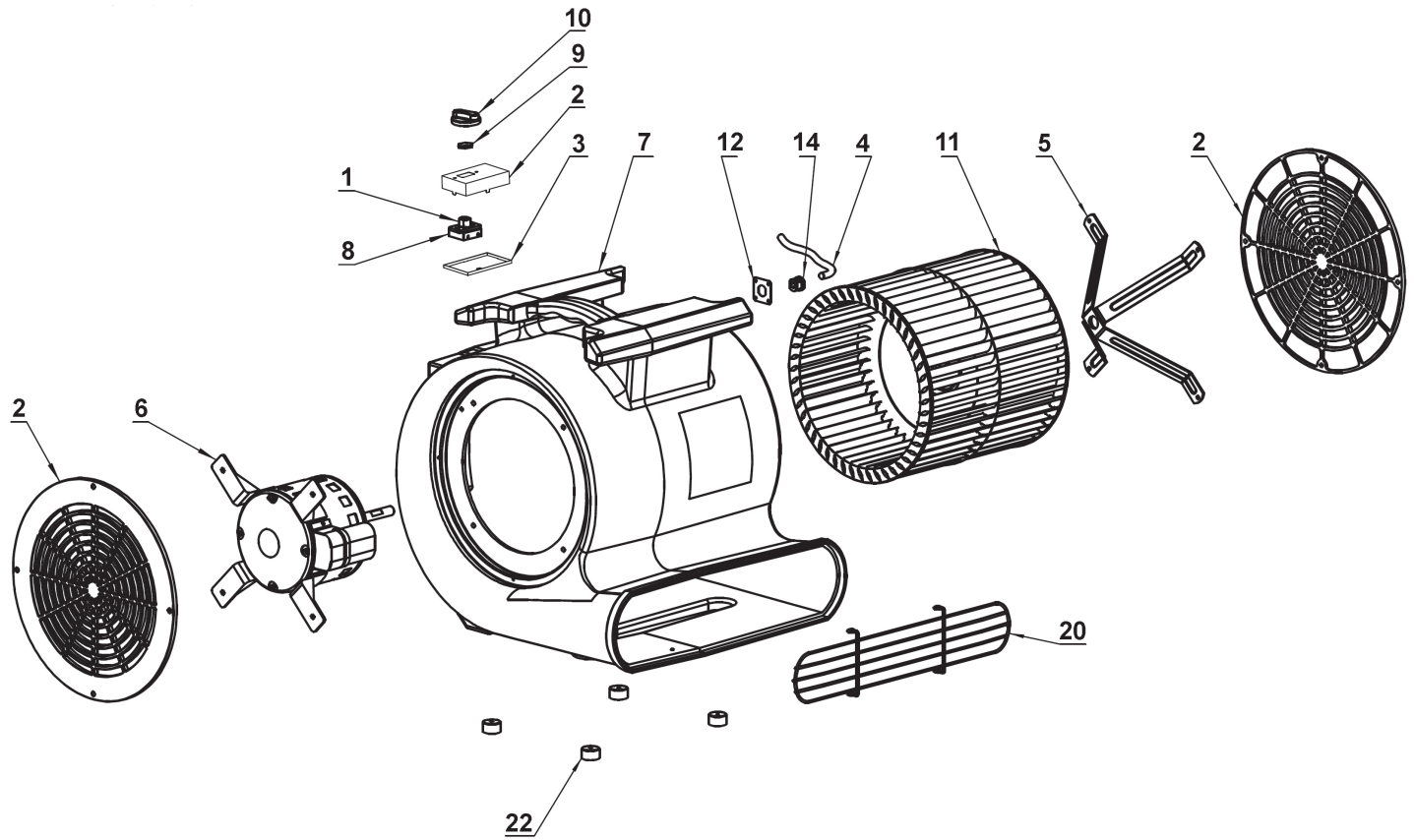




Parts Information:  
**Air Dryer/Blower 2860cfm 230V**  
**Model No: ADB3000**



Item	Part No.	Description
1	ADB3000.01N	WATER-PROOF COVER
2	ADB3000.02N	TERMINAL BOX
3	ADB3000.03N	TERMINAL BOX LID
5	ADB3000.05N	MOTOR BEARING FRAME
6	ADB3000.06	MOTOR
7	ADB3000.07	HOUSING
8	ADB3000.08	SWITCH
9	ADB3000.09	NUT
10	ADB3000.10	SWITCH KNOB
11	ADB3000.11	IMPELLER
12	ADB3000.12	MAINS CABLE PLATE
14	ADB3000.14	MAINS CABLE JACKET
15	ADB3000.15	WIND GUARD
20	ADB3000.20	WIND GUARD, STEEL FRONT
22	ADB3000.22	RUBBER FEET
--	ADB3000.23	HOUSING LINER (not shown)

**NOTE:** It is our policy to continually improve products and as such we reserve the right to alter data, specifications and component parts without prior notice.

**IMPORTANT:** No liability is accepted for incorrect use of product.

**WARRANTY:** Guarantee is 12 months from purchase date, proof of which will be required for any claim.

Sealey Group, Kempson Way, Suffolk Business Park, Bury St Edmunds, Suffolk. IP32 7AR

01284 757500 | 01284 703534 | sales@sealey.co.uk | www.sealey.co.uk