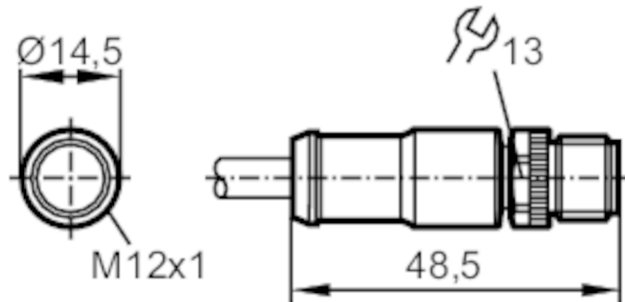


# E11598



## Connecting cable with plug

ASTGH050MSA0002C02



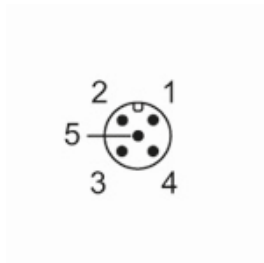
Application	
Special feature	Halogen-free; Gold-plated contacts; Screened cable
Application	CAN bus
Electrical data	
Operating voltage [V]	< 30 AC / < 36 DC
Max. current load total [A]	4
Operating conditions	
Ambient temperature [°C]	-25...85
Protection	IP 68
Mechanical data	
Weight [g]	160.3
Dimensions [mm]	14.5 x 14.5 x 48.5
Materials	PUR
Material nut	brass, nickel-plated
Remarks	
Pack quantity	1 pcs.
Electrical connection	
Cable: 2 m, PUR, Halogen-free, lilac, Ø 6.8 mm, shielded; RD / BK: 2 x 0.25 mm <sup>2</sup> (19 x Ø 0.13 mm ) + WH / BU: 2 x 0.34 mm <sup>2</sup> (19 x Ø 0.16 mm ) + screen: 1 x 0.34 mm <sup>2</sup> (19 x Ø 0.16 mm )	
Electrical connection - plug	
Connector: 1 x M12, straight; Moulded body: PUR; Locking: brass, nickel-plated; Contacts: gold-plated; Tightening torque: 0.5 Nm	

# E11598

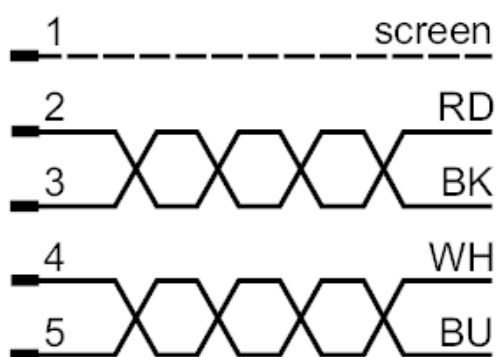


## Connecting cable with plug

ASTGH050MSA0002C02



### Connection



Core colours :

BK = black  
BU = blue  
RD = red  
WH = white  
screen = screen