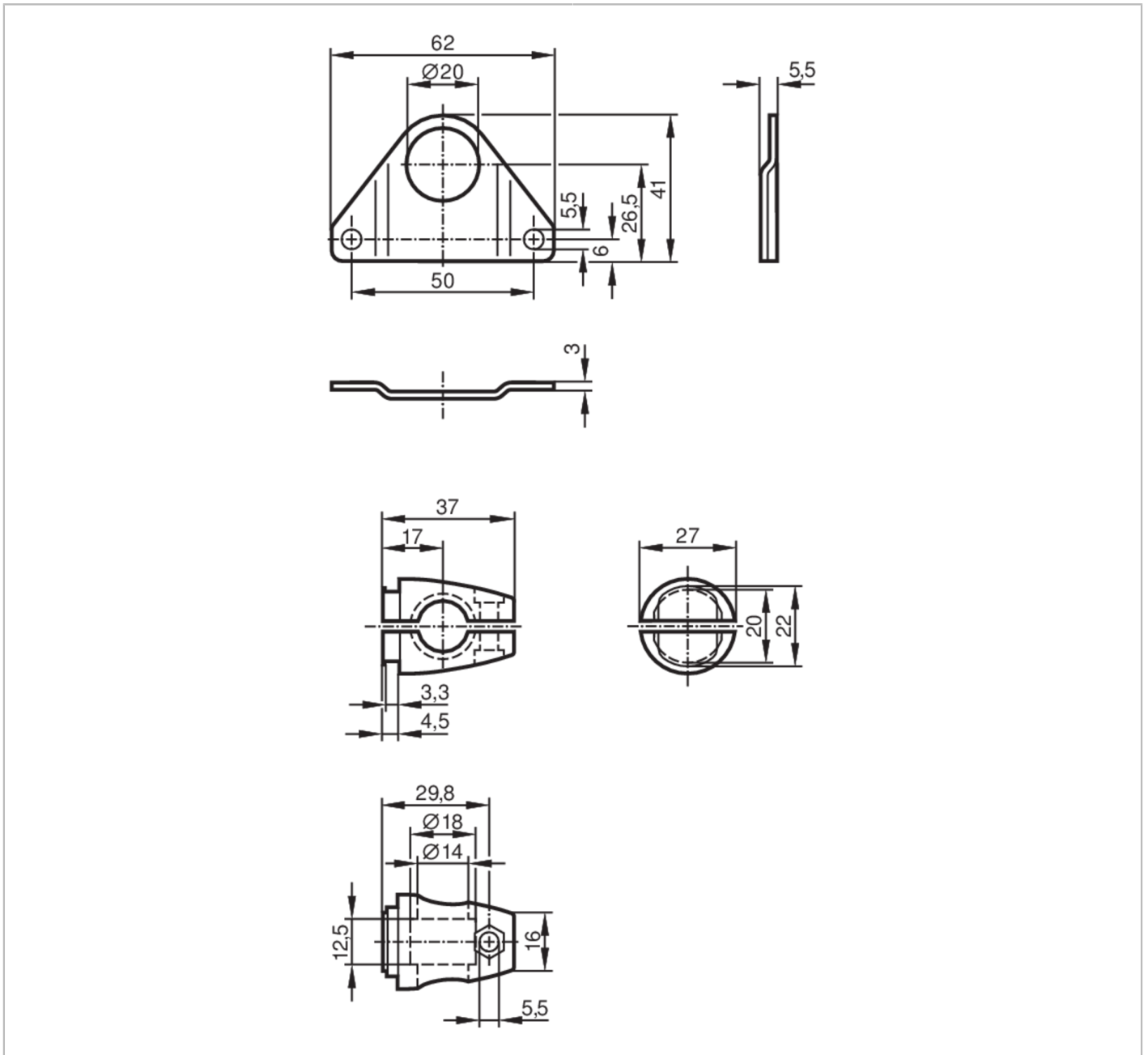




Mounting set for photoelectric sensors

MOUNTING SET OL BOLT



Application	
Design	clamp mounting
Mechanical data	
Weight [g]	284
Type of mounting	free-standing; (M12)
Materials	fixture: stainless steel (1.4305 / 303); Clamp: diecast zinc
Accessories	
Accessories (supplied)	screw: 1 x M12 x 120
Remarks	
Pack quantity	1 pcs.