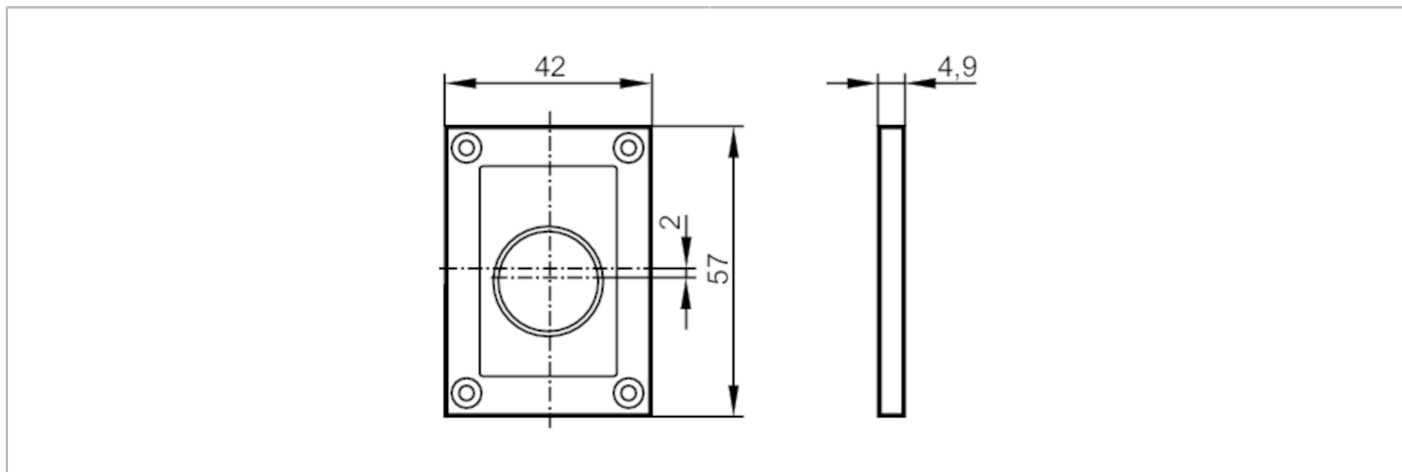


E21166



Plastic protective pane for the food industry

PLASTIC FOOD WINDOW DUALIS



Mechanical data	
Weight [g]	42.5
Dimensions [mm]	57 x 42 x 4.9
Materials	housing: diecast zinc black; lens: PMMA
Remarks	
Pack quantity	1 pcs.