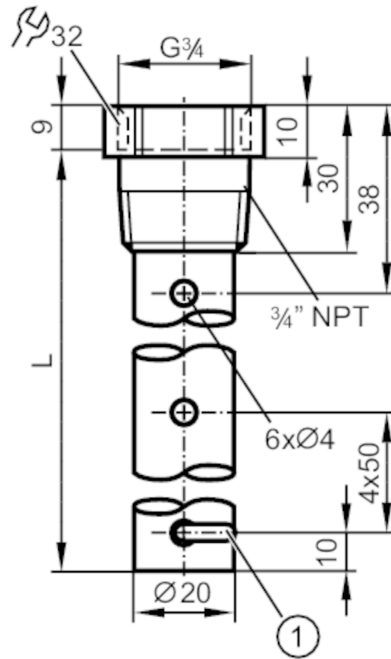


E43218



Coaxial pipe for level sensors

LR COAX TUBE NPT L450



1 fixing bracket for centring piece

CRN

Application	
Design	for level sensors LR
Medium temperature [°C]	-40...200
Tank pressure [bar]	-1...16
MAWP (for applications according to CRN) [bar]	16
Mechanical data	
Weight [g]	299.5
Materials	stainless steel (1.4301 / 304); Centring piece: PPS reinforced fibre; fixing bracket: stainless steel (1.4310 / 301)
Sensor connection	G 3/4
Process connection	3/4 NPT
Length [mm]	450
Remarks	
Pack quantity	1 pcs.