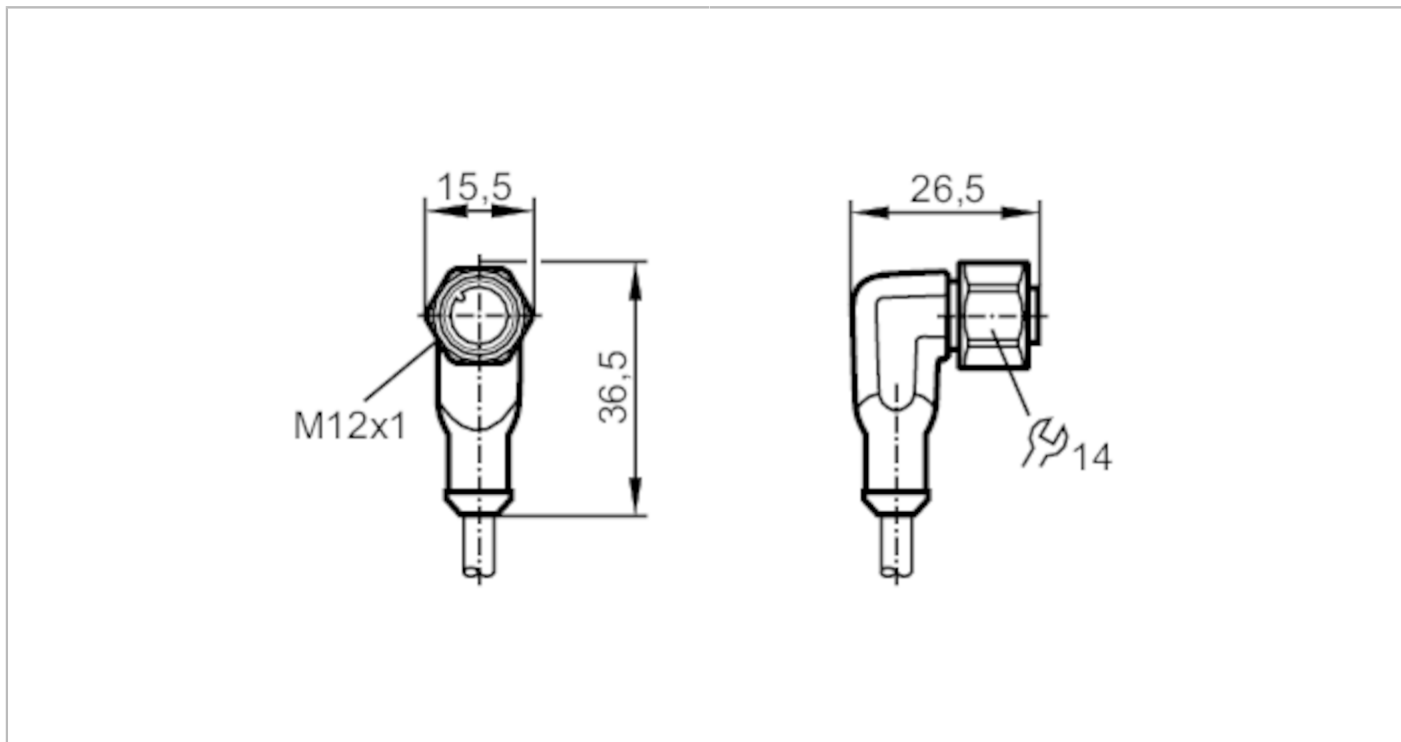


EVC29A



Connecting cable with socket

ADOAH040VAT0050H04/3G/2D



| Application | |
|-----------------------------|--|
| Special feature | Halogen-free; Gold-plated contacts |
| Compatible with paint | yes |
| Electrical data | |
| Operating voltage [V] | < 60 AC/DC |
| Protection class | II |
| Max. current load total [A] | 2 |
| Operating conditions | |
| Ambient temperature [°C] | -20...60 |
| Protection | IP 67; (outside hazardous areas: IP 68 / IP 69K) |
| Tests / approvals | |
| Approval | BVS 08 ATEX E 109 U; IECEx BVS 08.0041 U |
| ATEX marking | II 3G Ex nA IIC Gc |
| | II 2D Ex tb IIIC Db IP65/IP67 |
| Mechanical data | |
| Weight [g] | 1628.5 |
| Dimensions [mm] | 26.5 x 15.5 x 36.5 |
| Materials | housing: TPU orange; Sealing: FKM |
| Material nut | stainless steel (1.4404 / 316L) |
| Remarks | |
| Pack quantity | 1 pcs. |

EVC29A



Connecting cable with socket

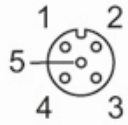
ADOAH040VAT0050H04/3G/2D

Electrical connection

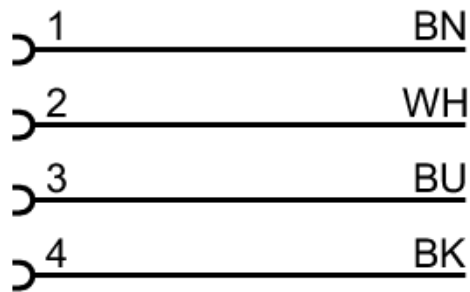
Cable: 50 m, PUR, Halogen-free, black, Ø 4.9 mm; 4 x 0.34 mm² (42 x Ø 0.1 mm)

Electrical connection - socket

Connector: 1 x M12, angled; Locking: stainless steel (1.4404 / 316L); Contacts: gold-plated; Tightening torque: 1.2...1.5 Nm



Connection



Core colours :

BK = black
BN = brown
BU = blue
WH = white