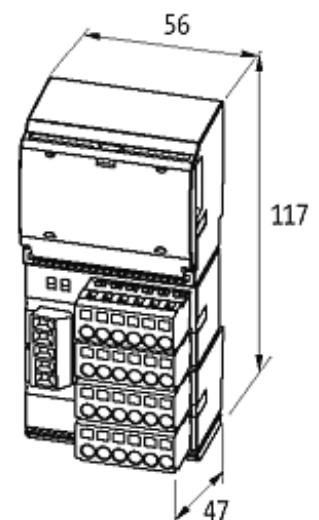


IMPACT20 DEVICENET, DIGITAL INPUT MODULE

16 digital inputs

Digital inputs
DI16

For connection cables please see chapter "Connection Technology" Housings potted on the back

[Link to Product](#)**Illustration**

Product may differ from Image

Approvals



More Info



Input

| | |
|------------------|--|
| Sensor supply US | 24 V DC (EN 61131-2), max. 700 mA per module, short-circuit and overload protected |
| Type | for 3-wire sensors or mechanical switches, PNP, (EN 61131-2) |

Connections

| | |
|-------------------------------|---|
| Fieldbus | 5 × pluggable spring clamp terminals |
| Sensor-system/actuator supply | 6 × spring clamp plug-in terminals, max. 2.5 mm ² (max. 12 A) |
| I/O ports | 18 × spring clamp plug-in terminals, max. 2.5 mm ² (max. 12 A) |

Fieldbus

| | |
|-------------------|------------------------------------|
| Operating voltage | 24 V DC (EN 61131-2) |
| Operating modes | Polling; change of state; Cyclic |
| Transfer rate | 125 kbit/s; 250 kbit/s; 500 kbit/s |
| Addressing | Rotary switch 0...63 |

General data

| | |
|----------------------|---|
| Protection | IP20 |
| Mounting method | DIN-rail mountable (EN 60715) |
| Temperature range | 0...+55 °C (storage temperature -20...+70 °C) |
| Dimensions H × W × D | 117×56×47 mm |

Diagnostic

| | |
|----------------------------|------------|
| Communication status | via LED |
| Diagnostic via LED | per module |
| Diagnostic via BUS | per module |
| Monitoring - under voltage | yes |
| Monitoring - no voltage | yes |
| Short circuit and overload | yes |

Commercial data

| | |
|------------------------|----------|
| country of origin | DE |
| customs tariff number | 85176200 |
| minimum order quantity | 1 |