

## M12 male 0° / RJ45, 45° up, shielded, Ethernet

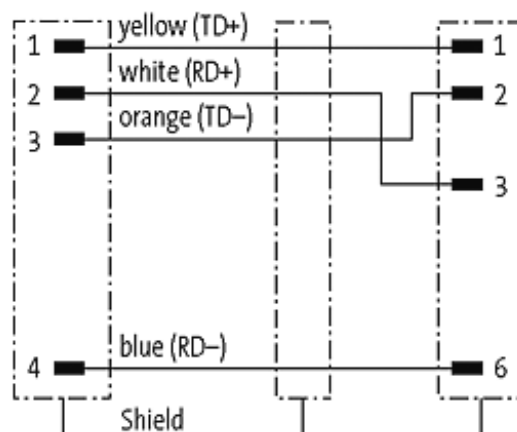
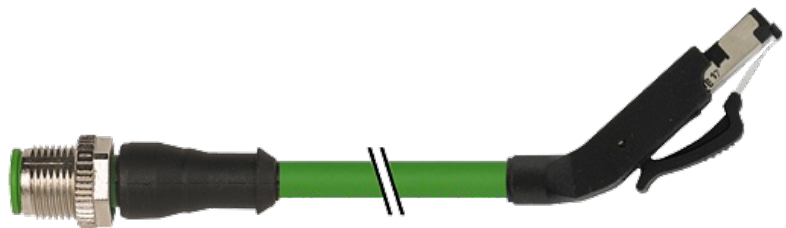
PUR 2x2xAWG22 shielded gn UL/CSA+dragchain 10m

Ethernet CAT 5, D-coded  
 Male straight to male 45° on top  
 M12 - RJ45  
 4-pole, shielded

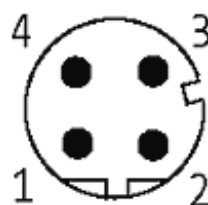
Further cable lengths on request. Plastic housings with good resistance against chemicals and oils. The resistance to aggressive media should be individually tested for your application. Further details on request.

### [Link to Product](#)

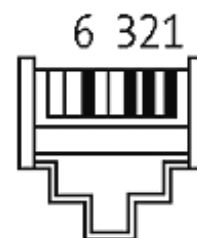
#### Illustration

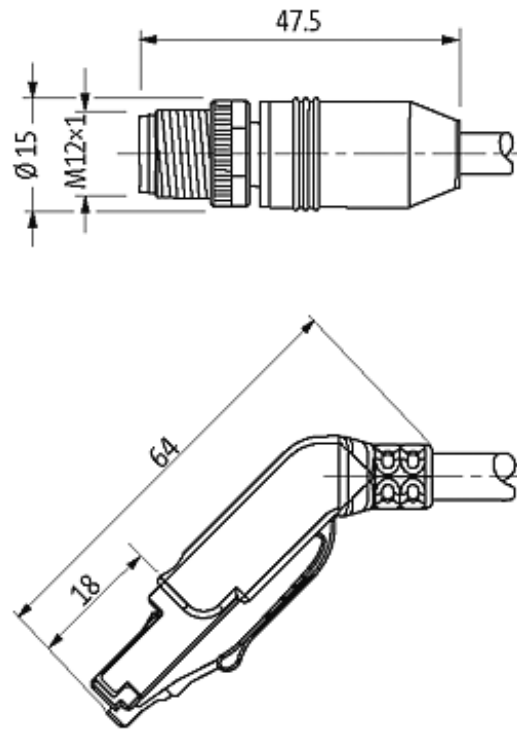


Male



Male





Product may differ from Image

### Approvals



### More Info



### Form

44721

### Technical Data

|                               |   |
|-------------------------------|---|
| Operating voltage             | 60 V DC   |
| Operating current per contact | max. 2 A  |
| Transfer parameters           | CAT5, class D (ISO/IEC 11801:2002), (EN 50173-1)                  |
| Transfer rate                 | 10/100 Mbit/s full duplex   |
| Protection                    | IP67 (M12) - IP20 (RJ45)  |
| Locking of ports              | Screw thread M12 × 1 mm (recommended torque 0.6 Nm) self-securing |

### Cables

|                       |               |
|-----------------------|---------------|
| Cable number          | 796           |
| No./diameter of wires | 2 × 2 × AWG22 |

|                             |                     |
|-----------------------------|---------------------|
| Wire isolation              | PE (wh, ye, bl, or) |
| C-track properties          | 2 Mio.              |
| Jacket Color                | green               |
| Shore hardness outer jacket | 90 ± 5A             |
| Material (jacket)           | PUR (UL/CSA)        |
| Outer diameter              | approx. 6.7 mm      |
| Bend radius (fixed)         | 5 × outer Ø         |
| Bend radius (moving)        | 15 × outer Ø        |
| Temperature range (fixed)   | -40...+80 °C        |
| Temperature range (mobile)  | -20...+60 °C        |
| Shielded                    | yes                 |

#### General data

|                   |              |
|-------------------|--------------|
| Temperature range | -25...+70 °C |
|-------------------|--------------|

#### Commercial data

|                        |          |
|------------------------|----------|
| country of origin      | DE       |
| customs tariff number  | 85444210 |
| minimum order quantity | 1        |