

65MM TERMINAL BLOCK PEN FOR ET200S HIGH FEATURE STARTER, WITH CONN. FOR LOADS



Figure similar

General technical data:

Product designation		Terminal block M65-PEN-S
Product description		In combination with TM-DS65-S31 / TM-RS130-S31
Mounting height	mm	43.5
Installation width	mm	65
Installation depth	mm	42

Installation/ mounting/ dimensions:

Size of the screwdriver tip		Standard screwdriver Size 2
Shape of the screwdriver tip		Pozidriv 2
Tightening torque with screw-type terminals	N·m	2 ... 2.5

Further information

Information- and Downloadcenter (Catalogs, Brochures,...)

<http://www.siemens.com/industrial-controls/catalogs>

Industry Mall (Online ordering system)

<http://www.siemens.com/industrymall>

Cax online generator

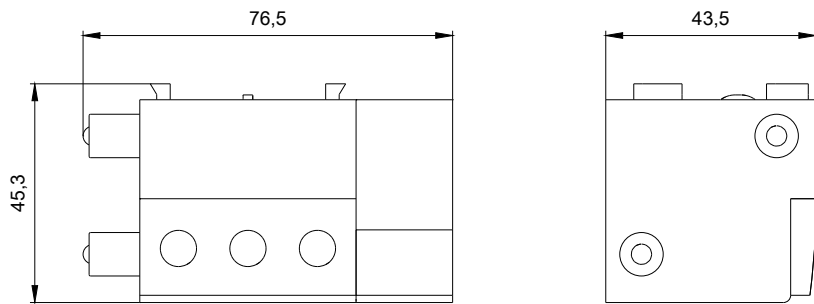
<http://support.automation.siemens.com/WW/CAXorder/default.aspx?lang=en&mlfb=3RK19032AC10>

Service&Support (Manuals, Certificates, Characteristics, FAQs,...)

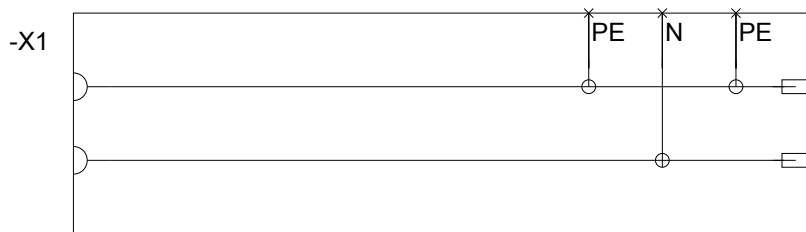
<http://support.automation.siemens.com/WW/view/en/3RK19032AC10/all>

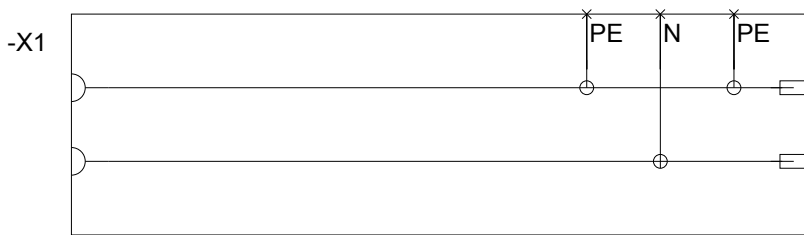
Image database (product images, 2D dimension drawings, 3D models, device circuit diagrams, EPLAN macros, ...)

<http://www.automation.siemens.com/bilddb/index.aspx?attID9=3RK19032AC10&lang=en>



3RK1903-2AC10_ALL





last modified:

15.01.2015